

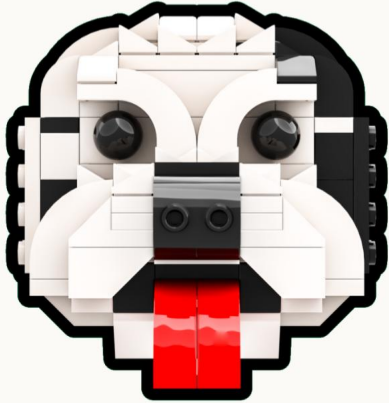
The **USS Bowfin** (SS-287) is a **Balao-class submarine** of the United States Navy, launched on **December 7, 1942**, exactly one year after the attack on **Pearl Harbor**.

Nicknamed the “Pearl Harbor Avenger,” Bowfin completed nine war patrols in the Pacific during **World War II**, sinking a total of 44 enemy vessels, including merchant ships and warships, making her one of the most successful submarines of the war.

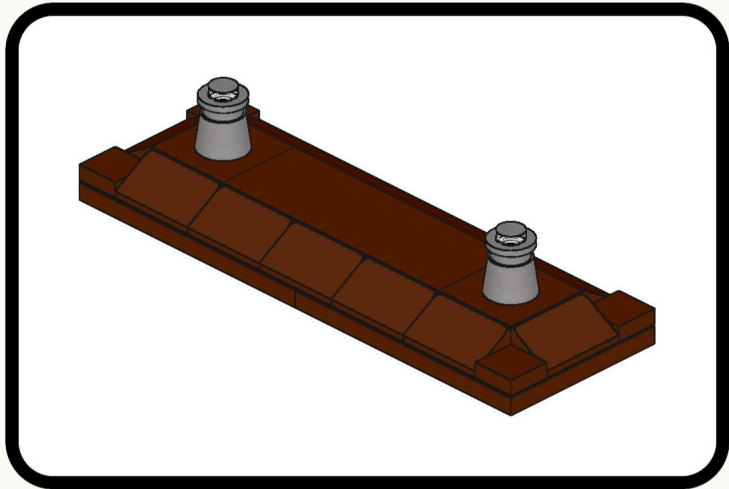
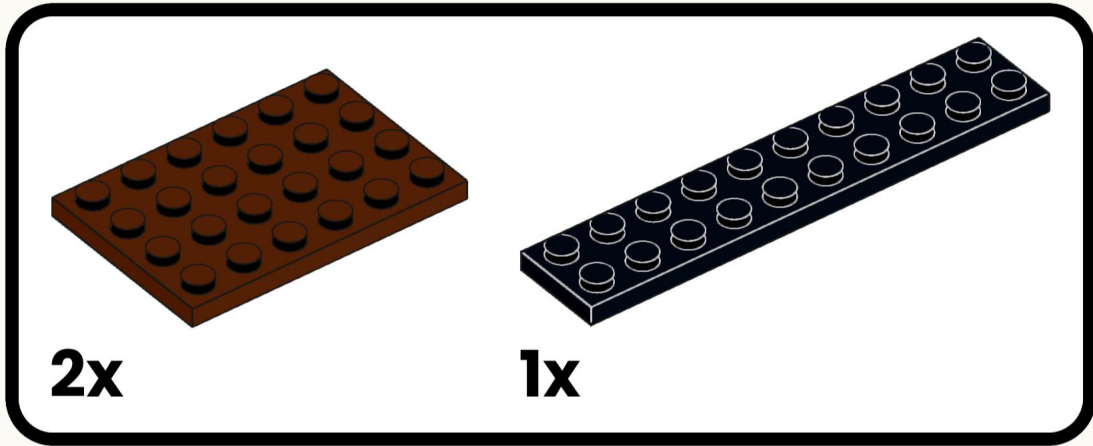
After the war, Bowfin served in various training and reserve roles until she was decommissioned in 1971.

Today, she is preserved as a museum ship at the **Pearl Harbor Historic Sites** in Honolulu, Hawaii, where she stands as a tribute to the U.S. Navy’s Silent Service and the 52 American submarines lost during WWII.

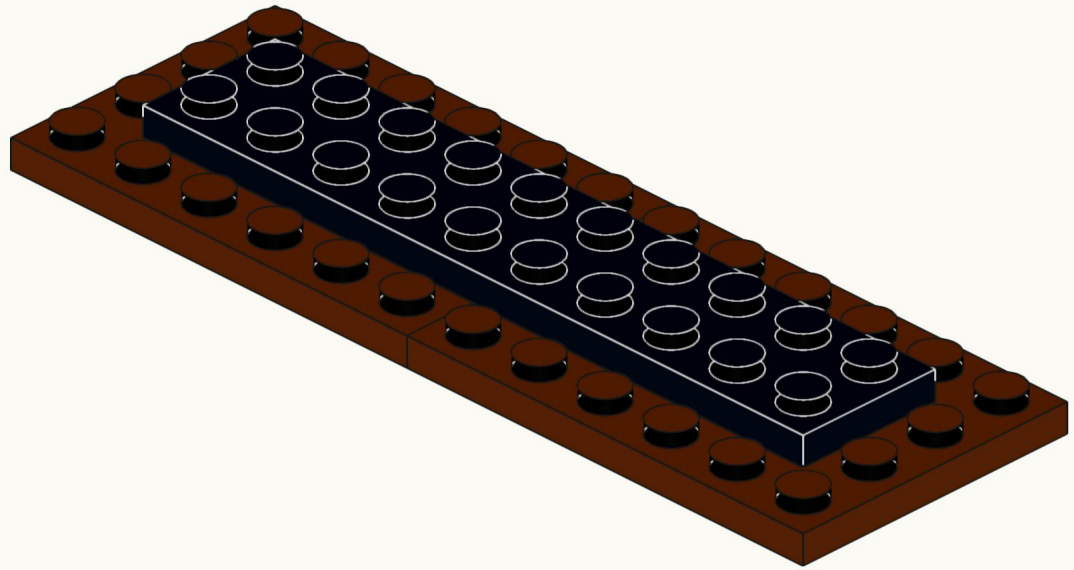
# USS BOWFIN BALAO-CLASS SUBMARINE - GOBRICKS MOC KIT

	<b>GB-006</b>	<b>UNITS</b>	<b>WIDTH</b>	<b>LENGTH</b>	<b>HEIGHT</b>
	<b>1:262 SCALE</b>	<b>STUDS</b>	<b>5.0</b>	<b>46.0</b>	<b>11.5</b>
	<b>221 PARTS</b>	<b>INCHES</b>	<b>1.6</b>	<b>14.5</b>	<b>3.6</b>
	<b>DESIGNED IN 2025</b>	<b>CENTIMETERS</b>	<b>4.0</b>	<b>36.8</b>	<b>9.2</b>

This MOC kit is based on an original MOC (My Own Creation) designed by **The Bobby Brix Channel**. The design and building instructions remain the property of The Bobby Brix Channel registered under SREDA s.r.o. For details or permissions regarding resale, wholesale, exhibitions, or commercial use, please contact The Bobby Brix Channel on [bobbybrix.com](https://bobbybrix.com).

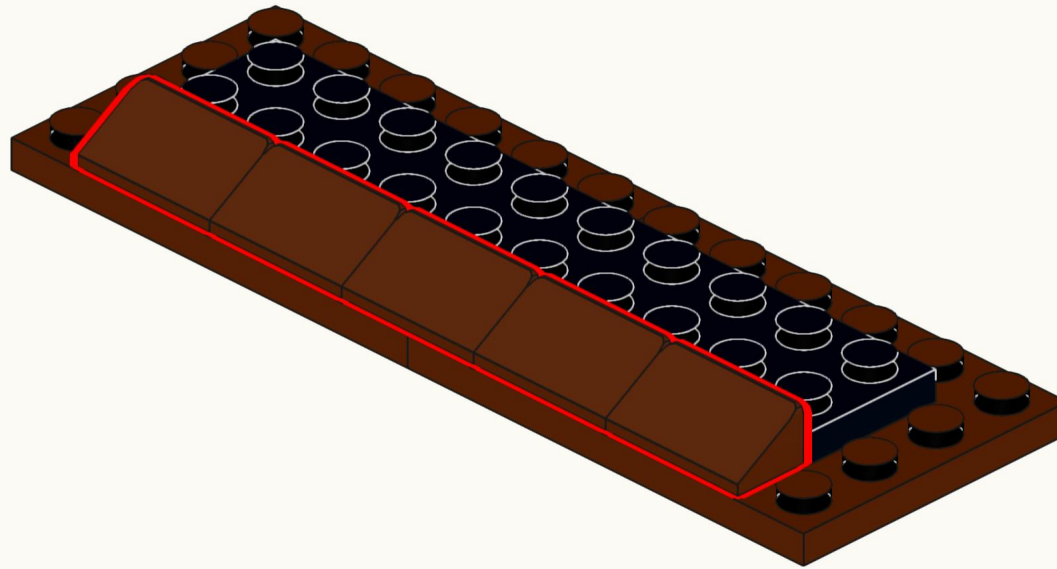


1

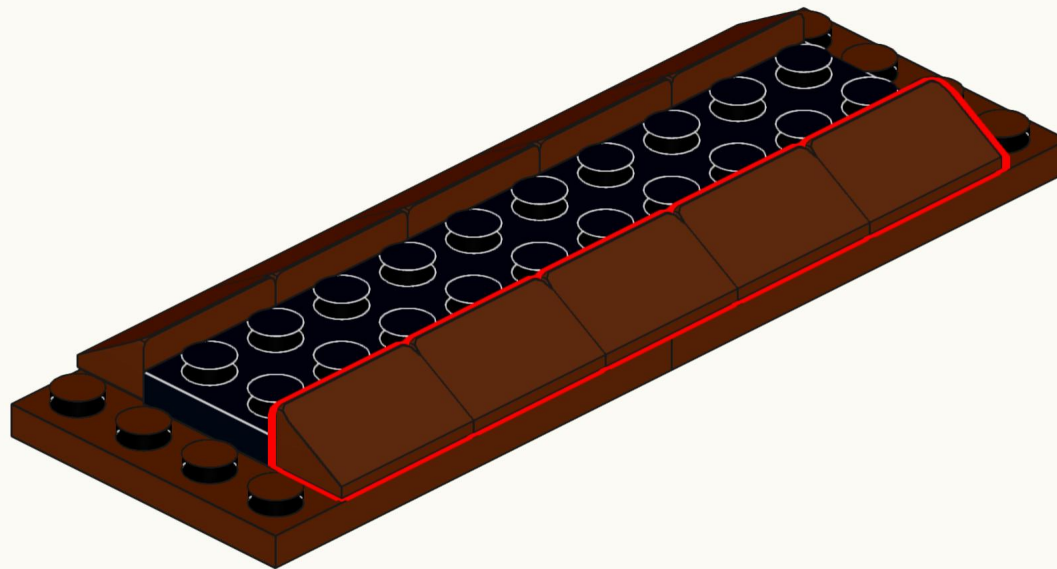


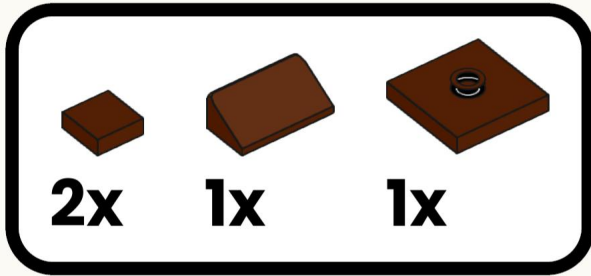


2

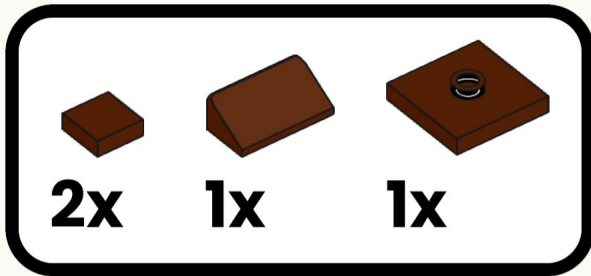
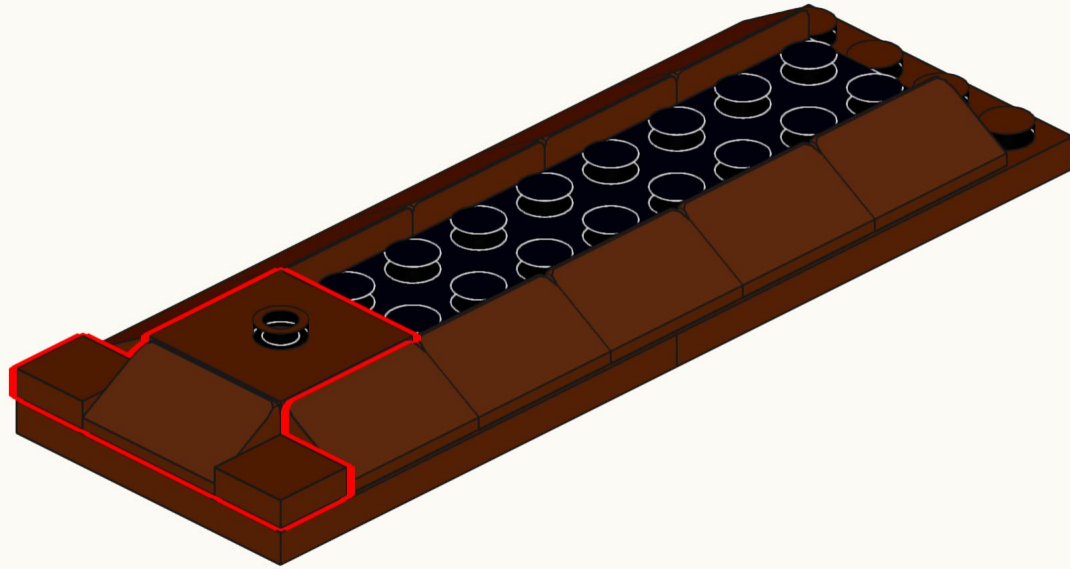


3

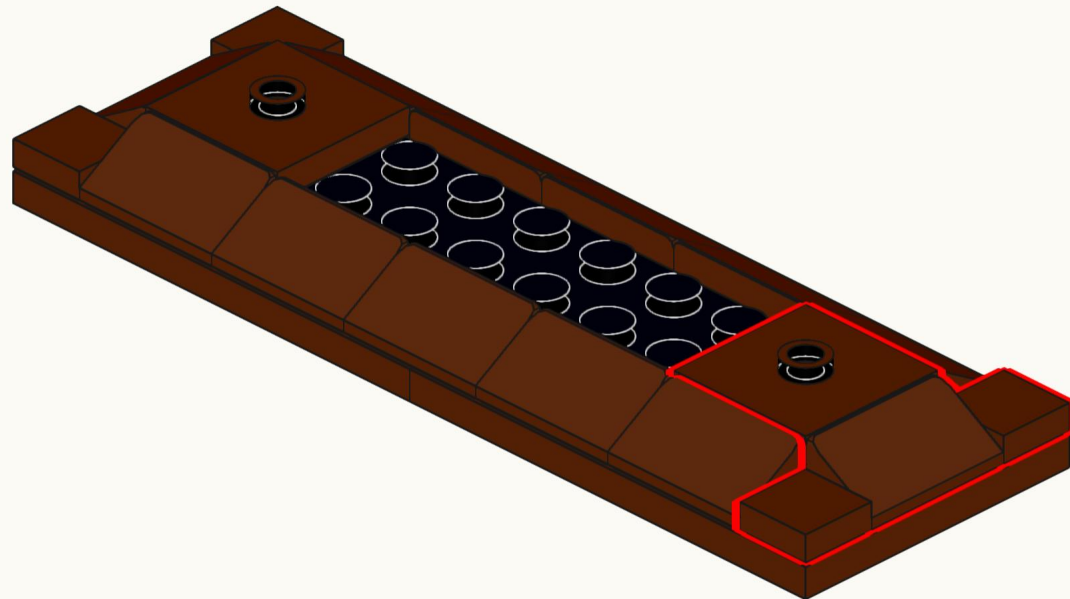


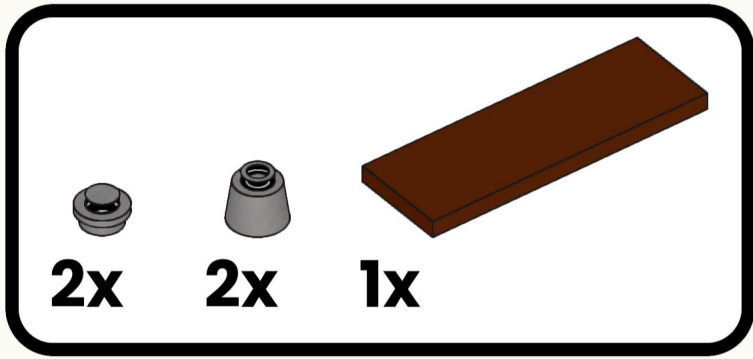


4

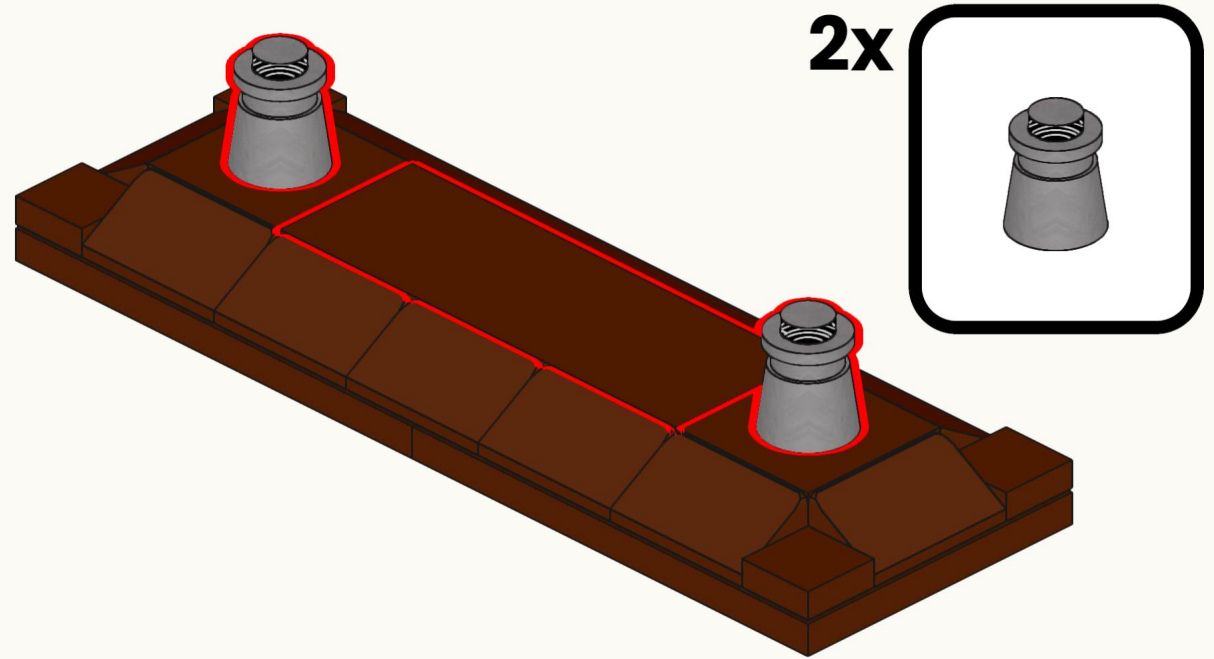


5

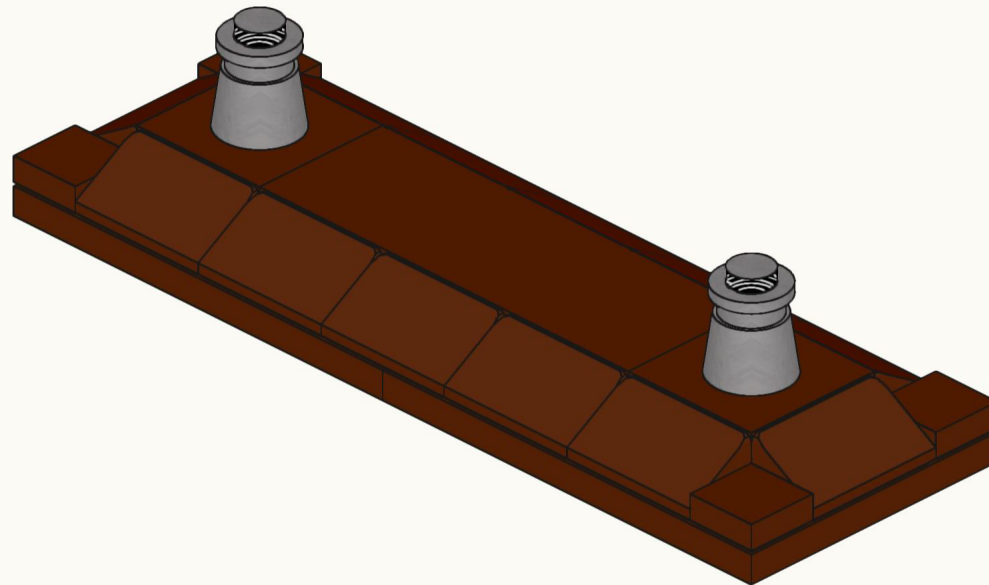


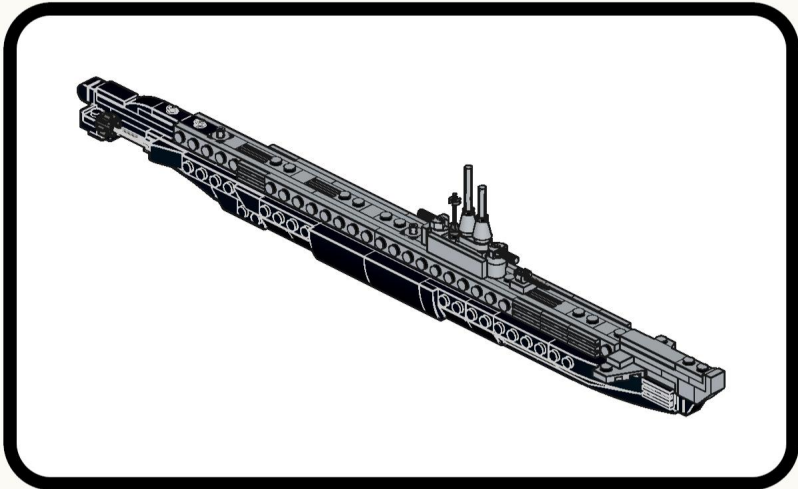
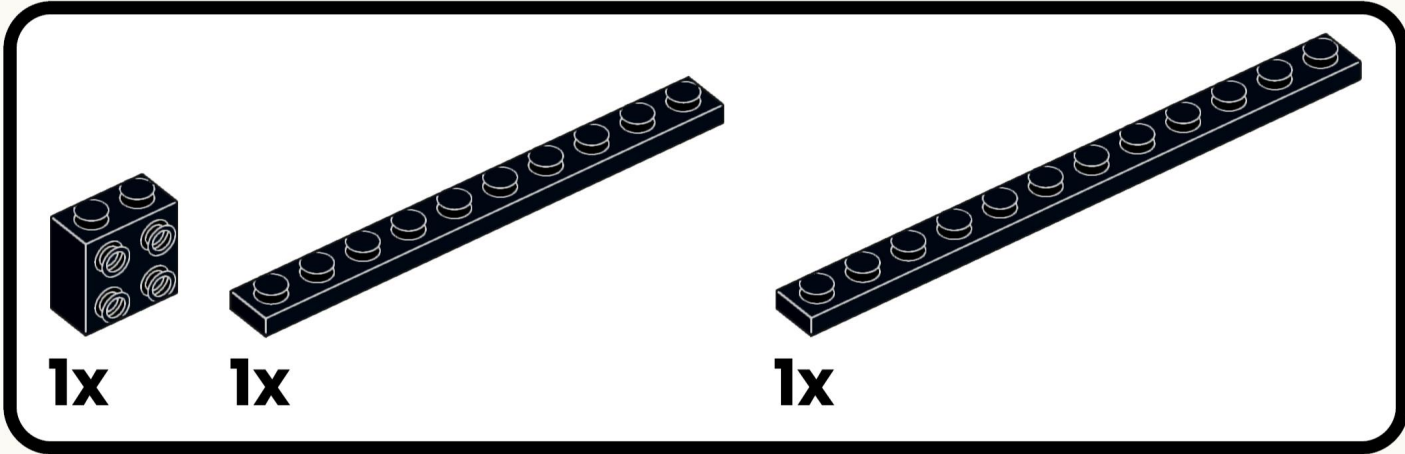


6

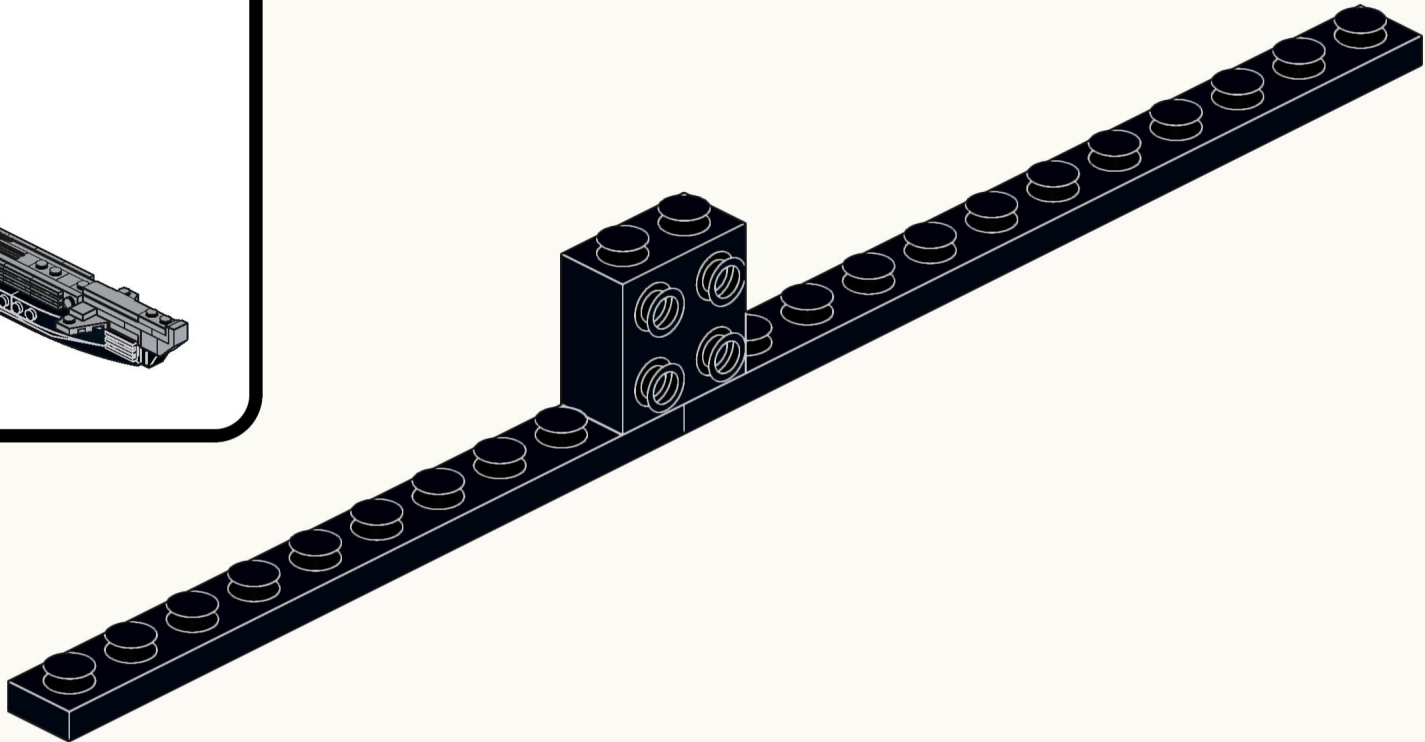


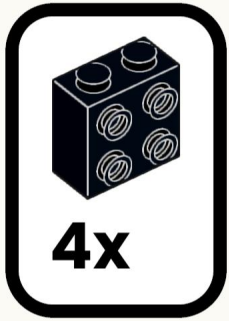
7



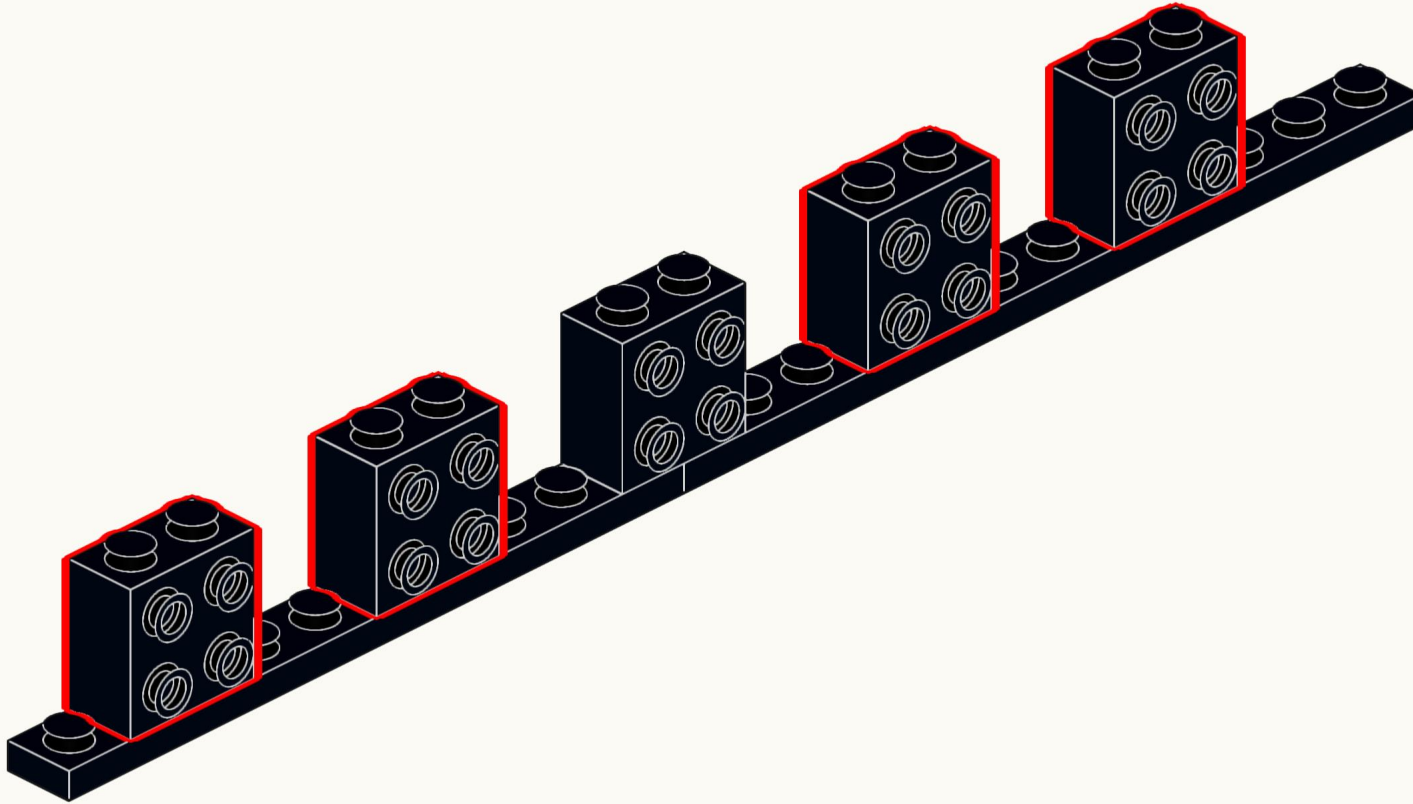


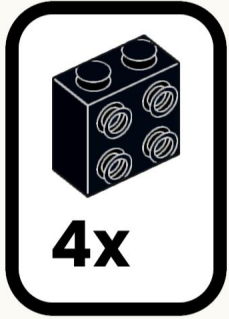
8



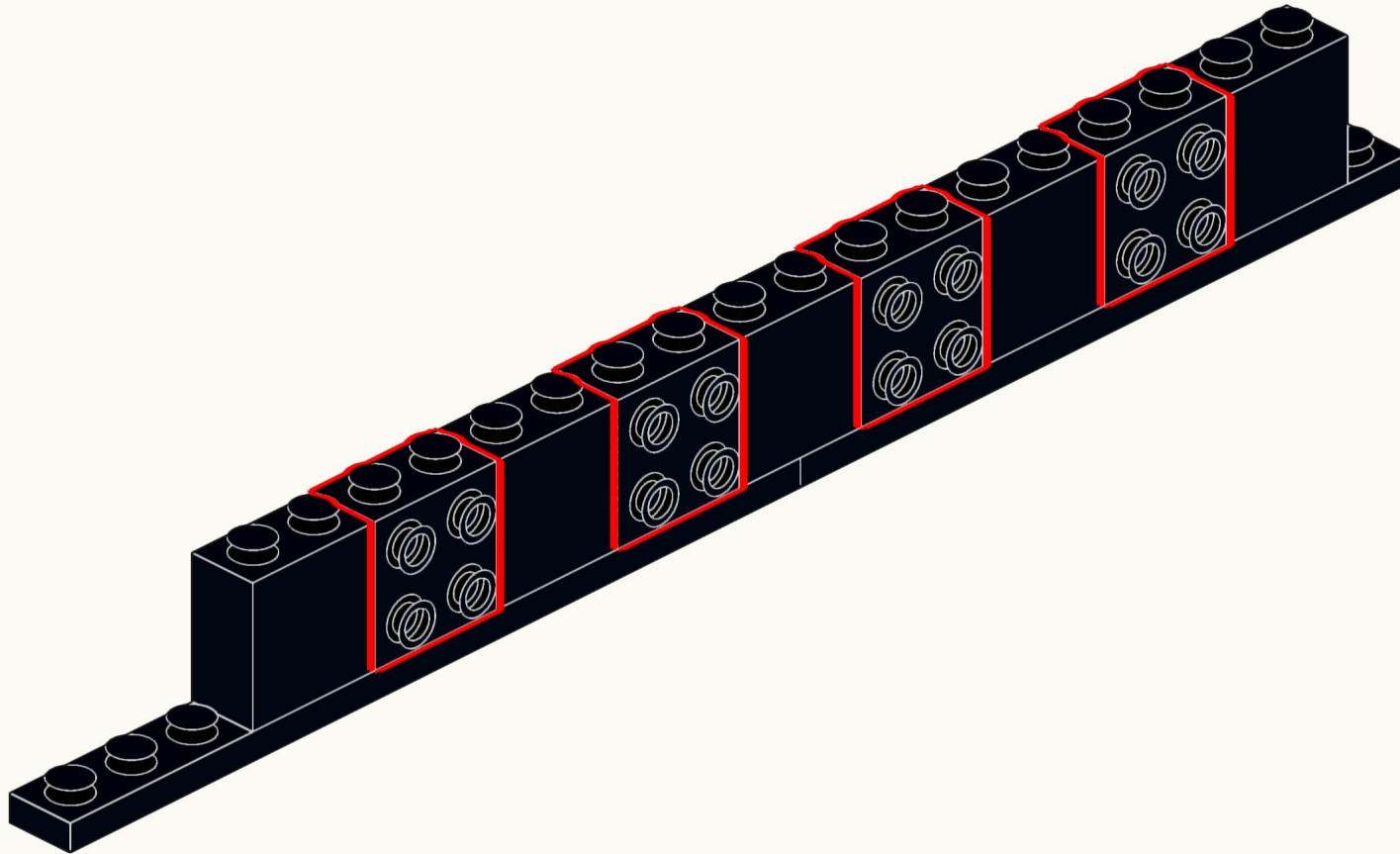


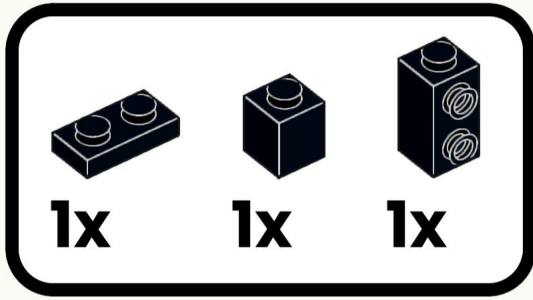
9



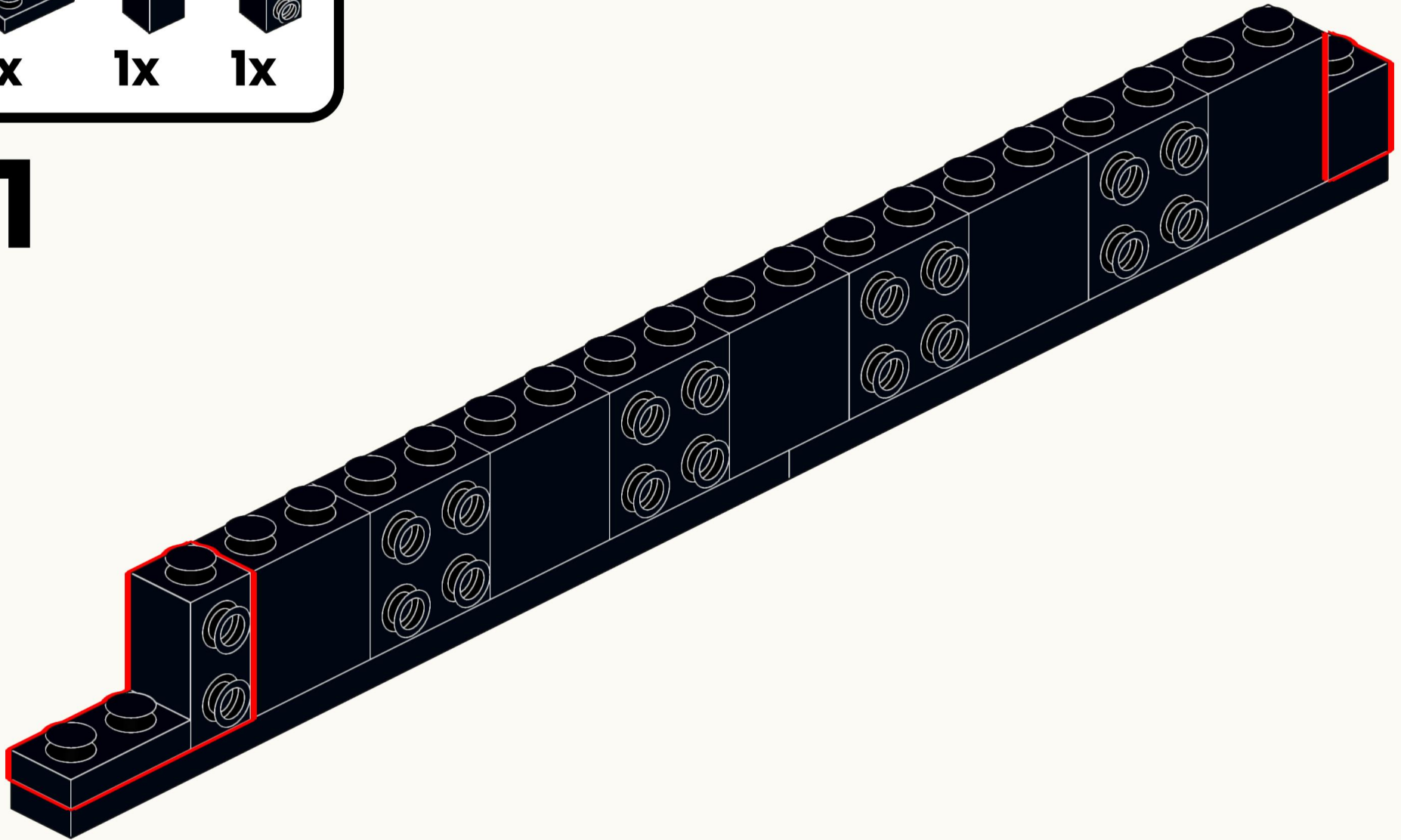


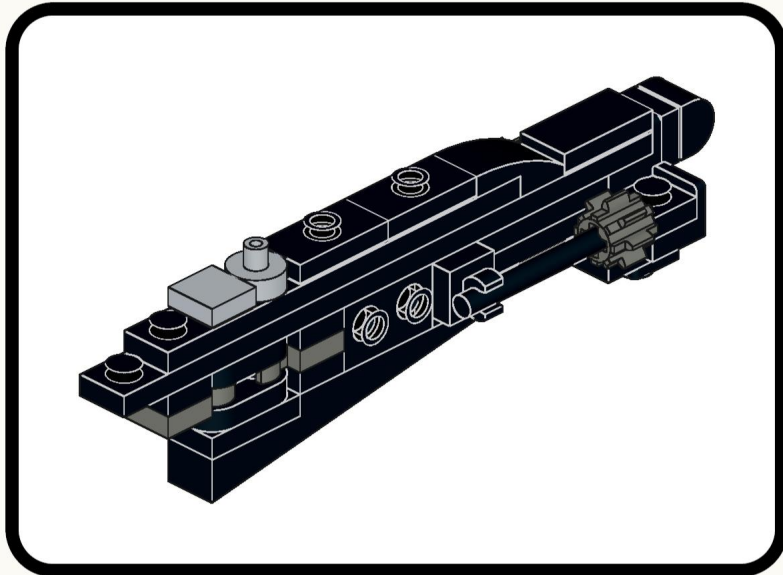
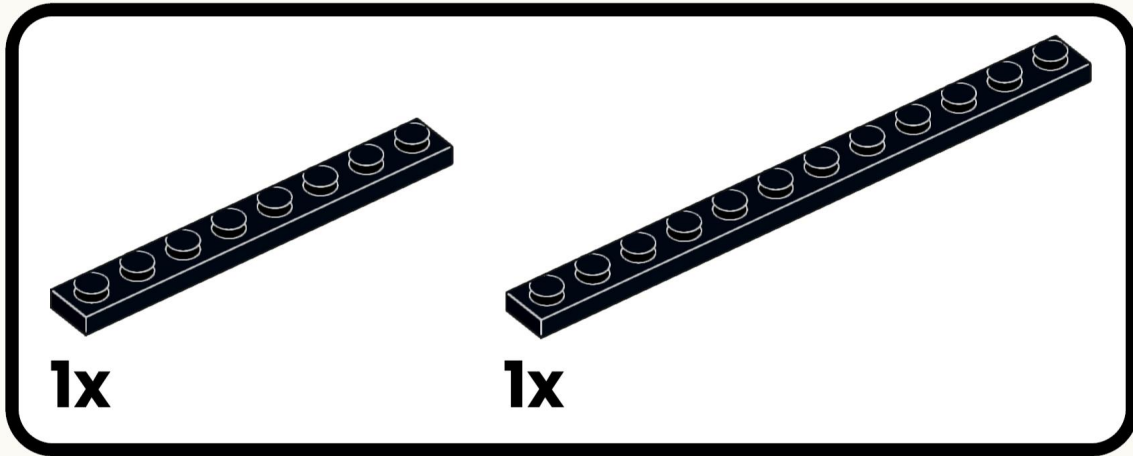
10



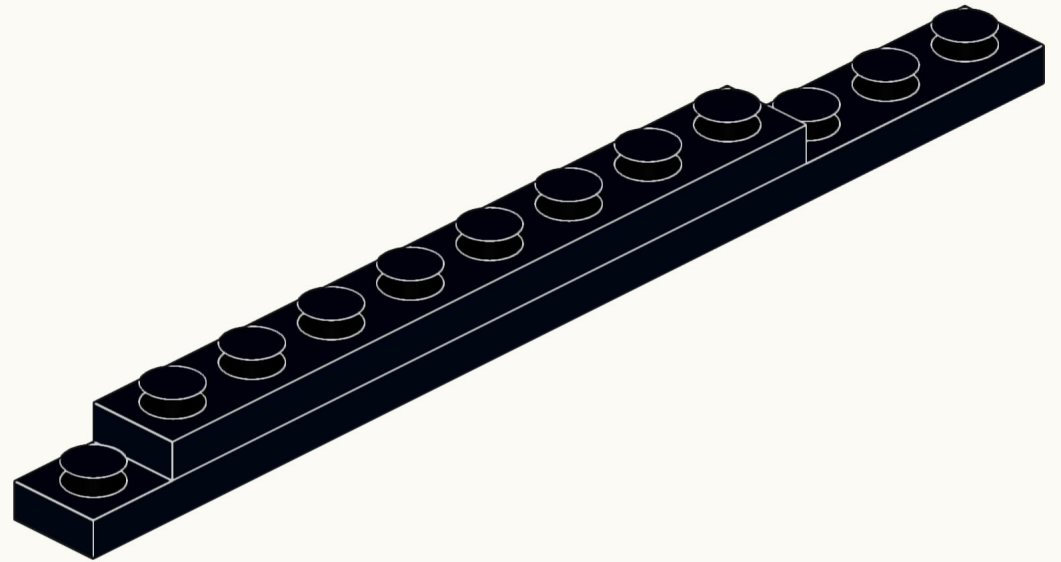


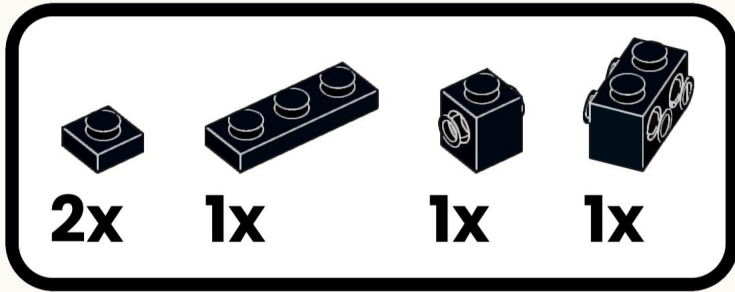
11



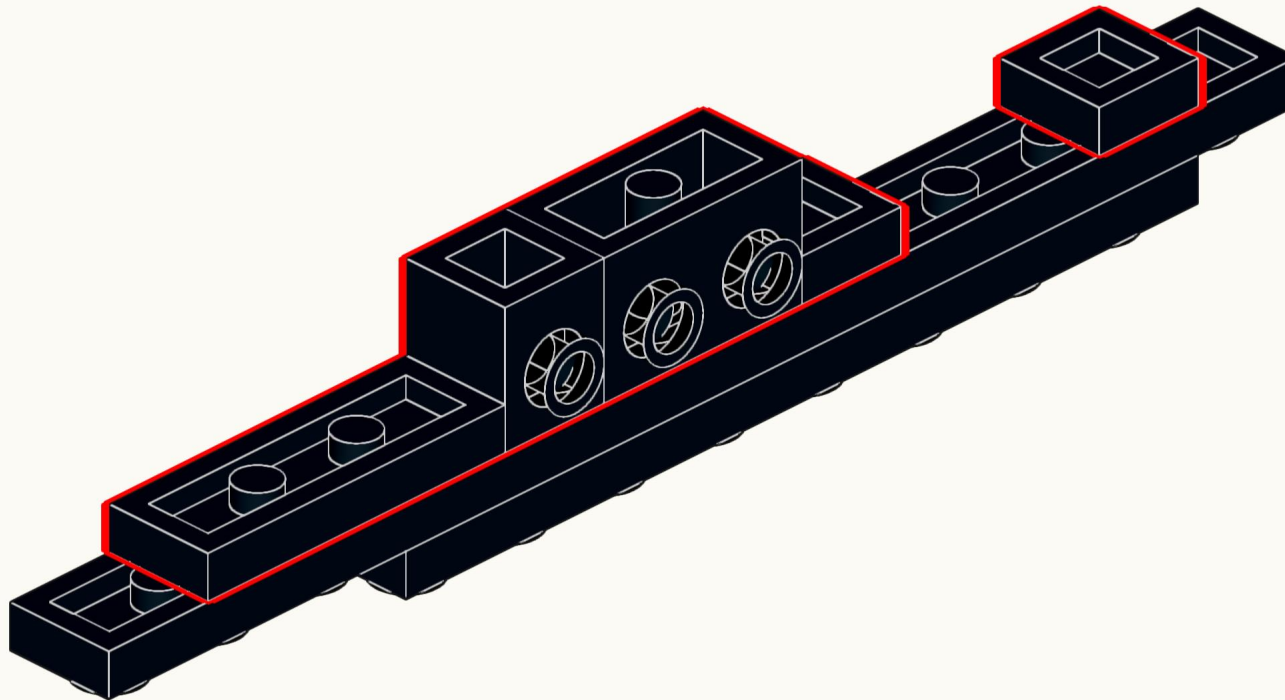


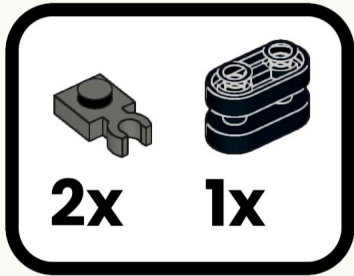
12



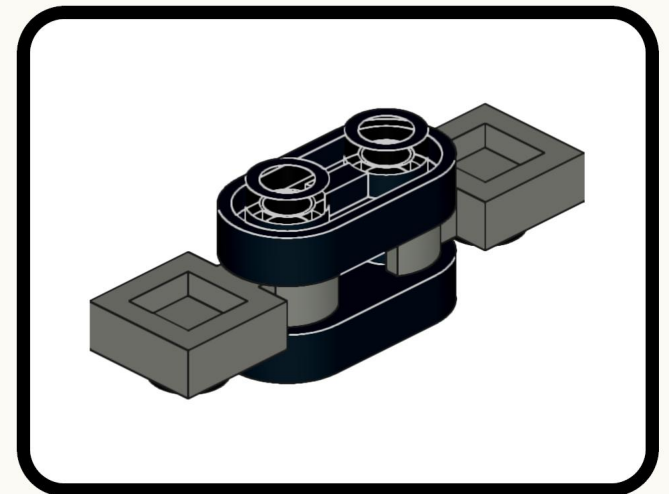
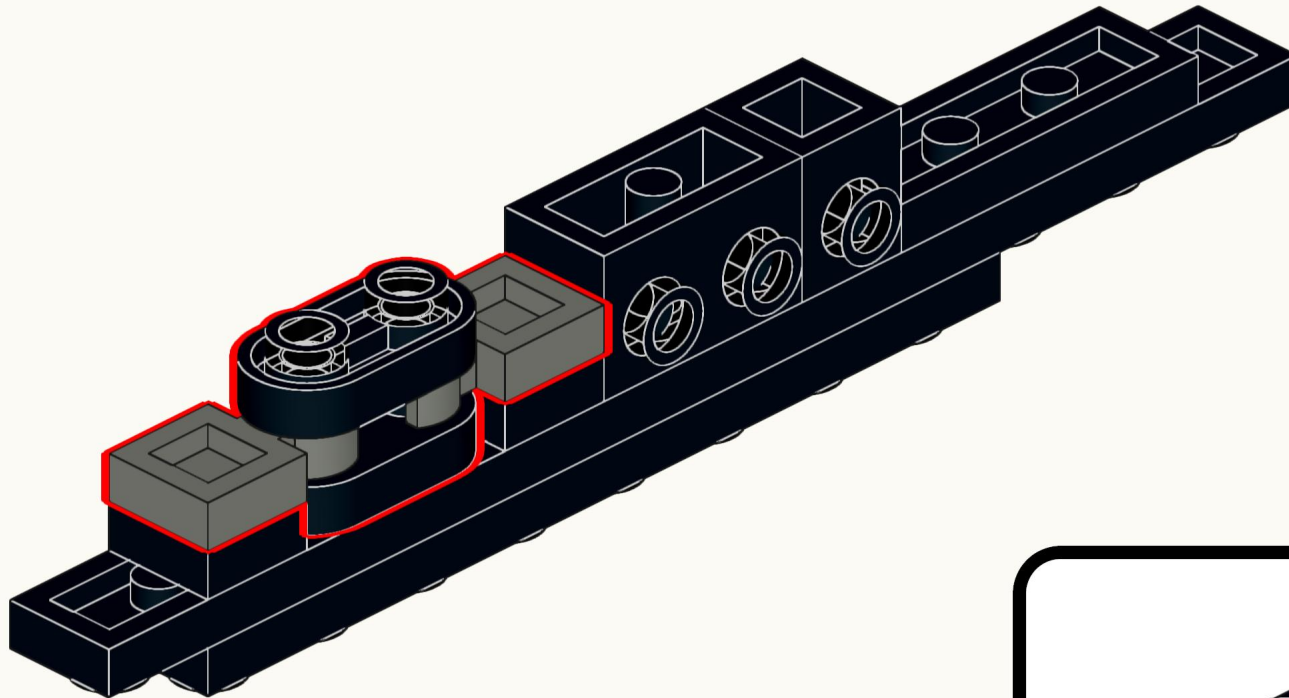


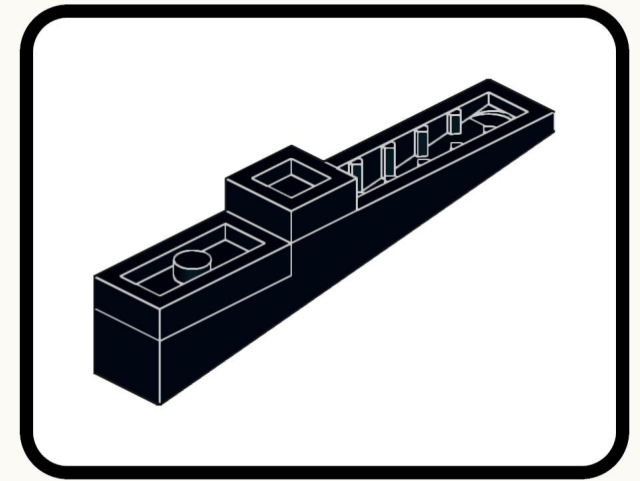
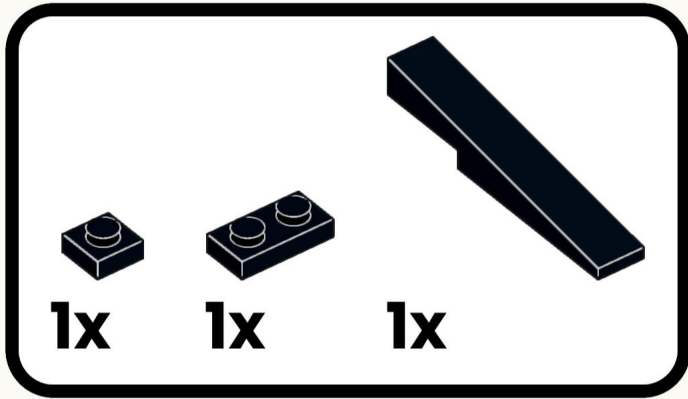
13



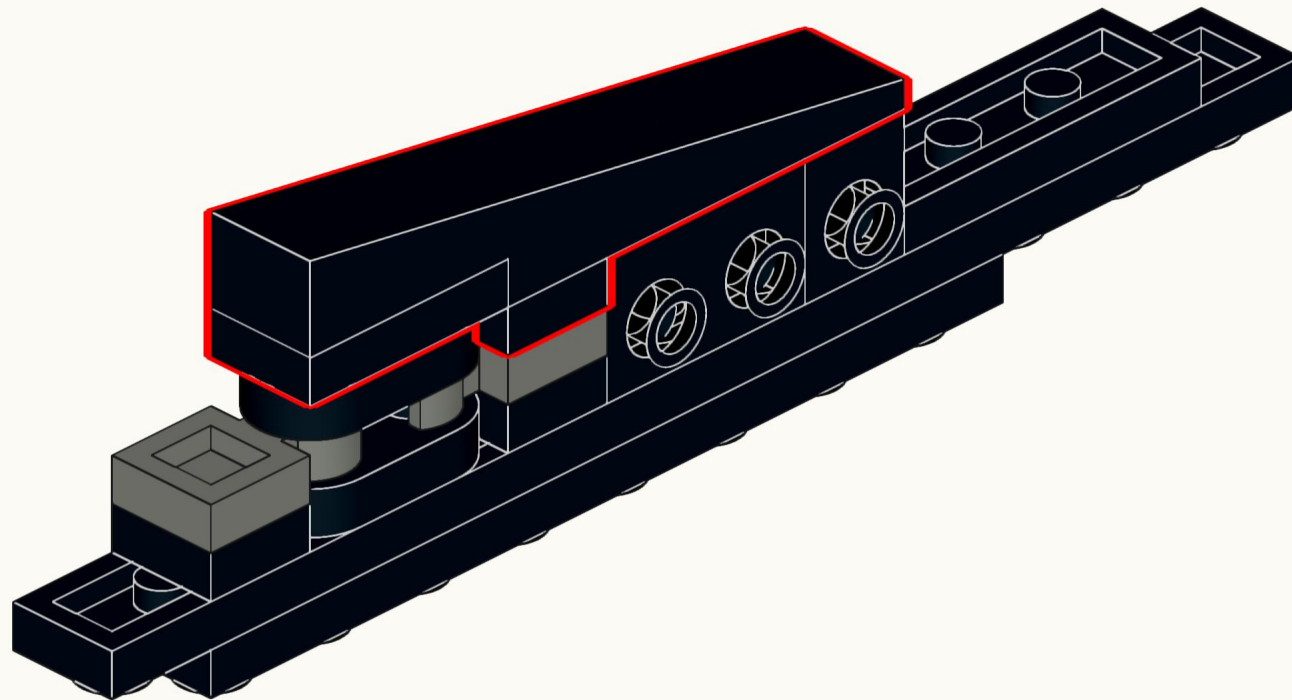


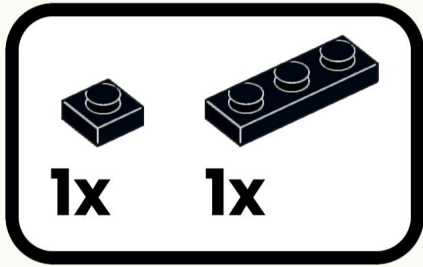
14



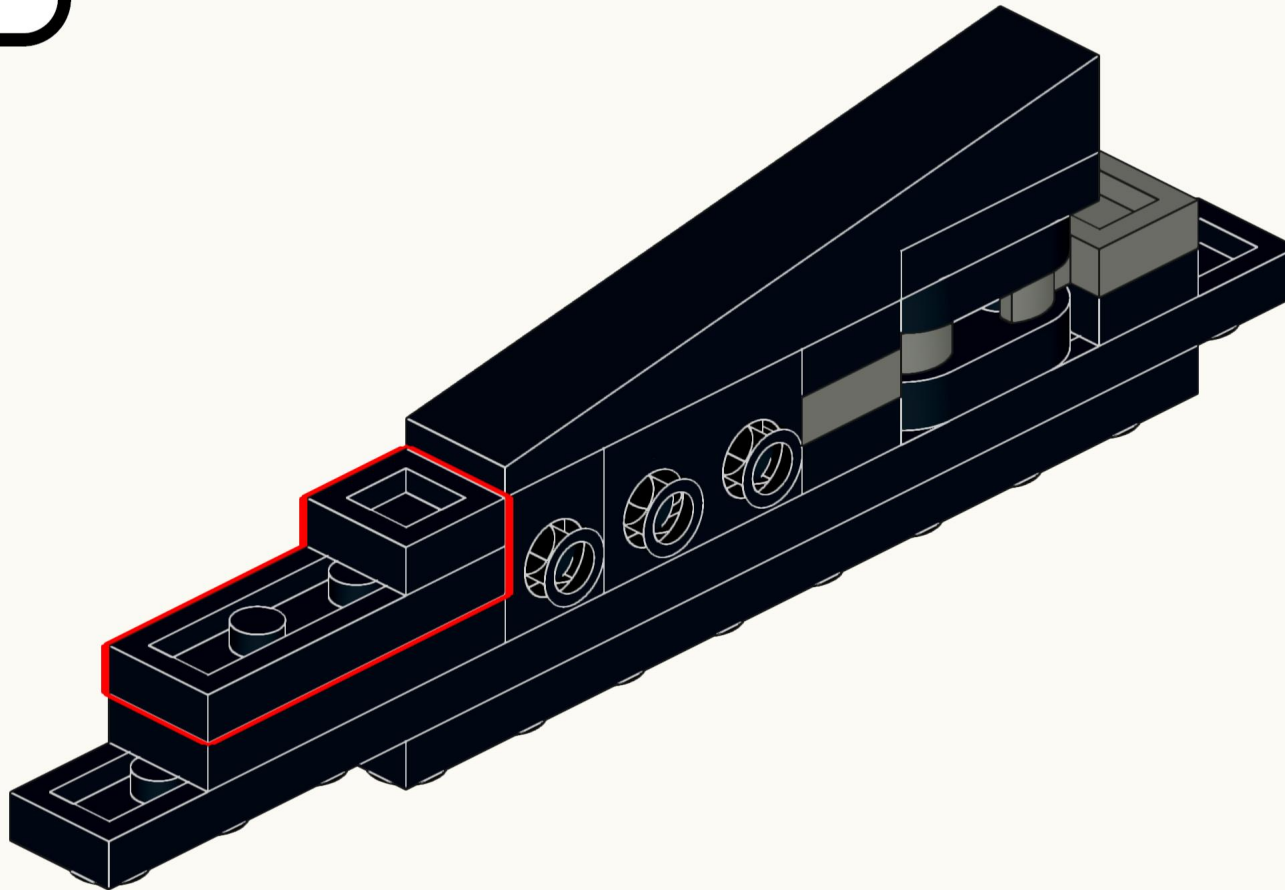


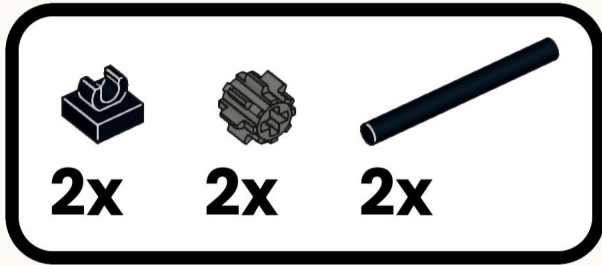
15



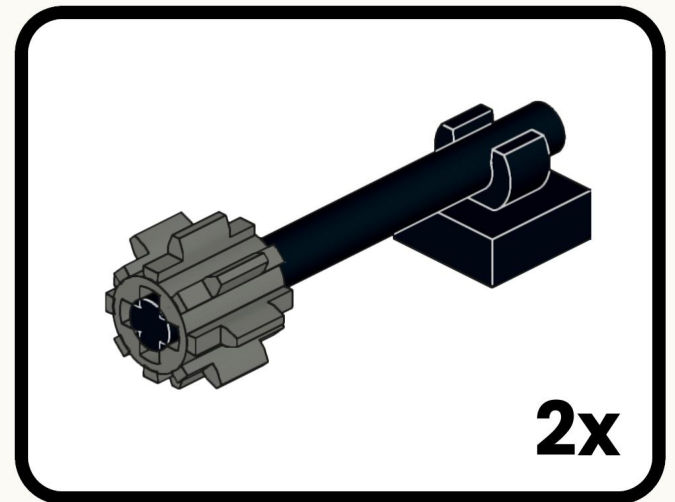
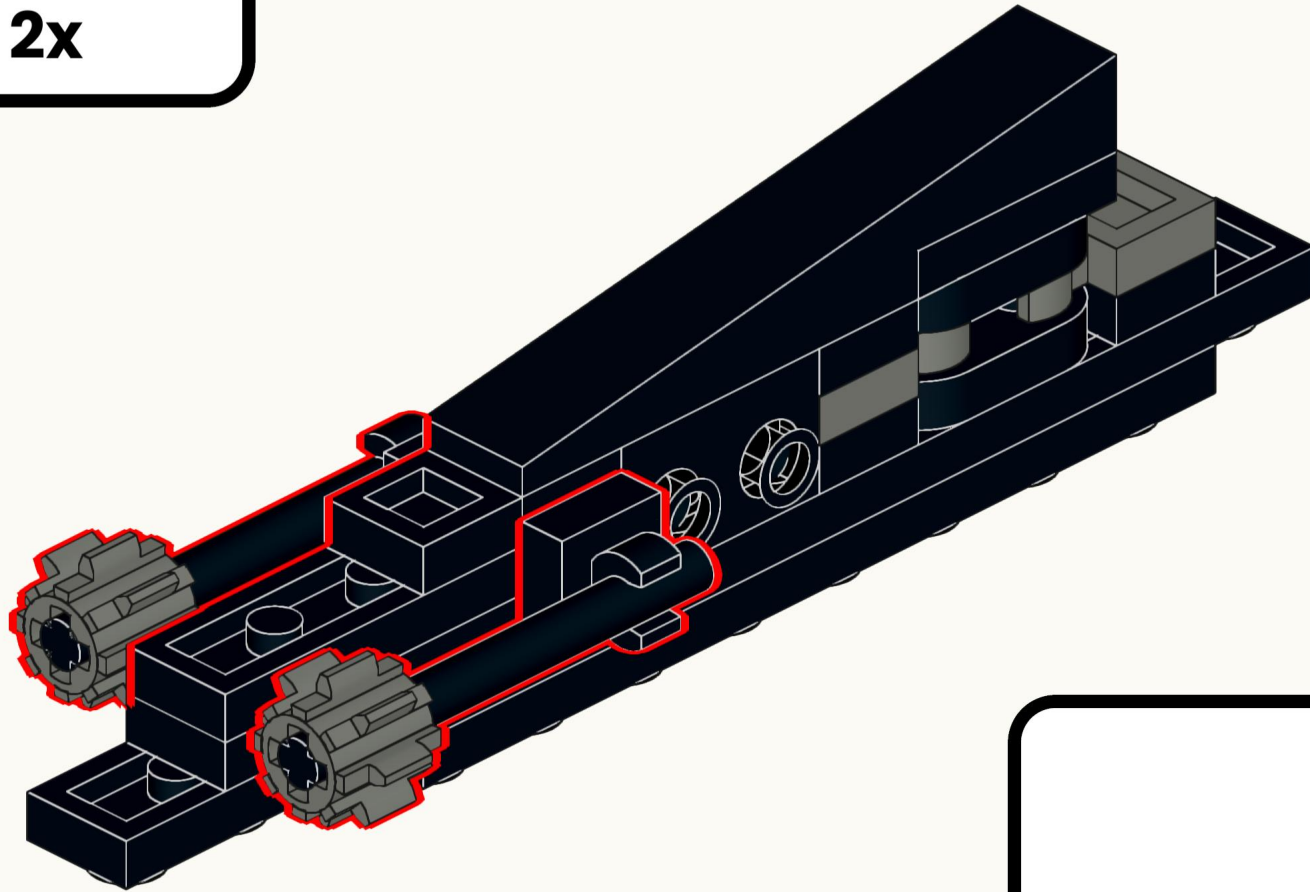


16

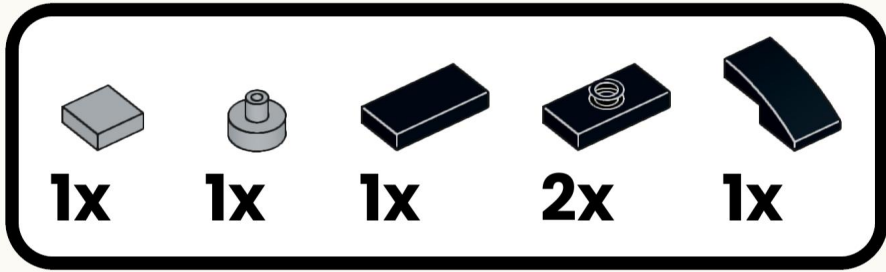




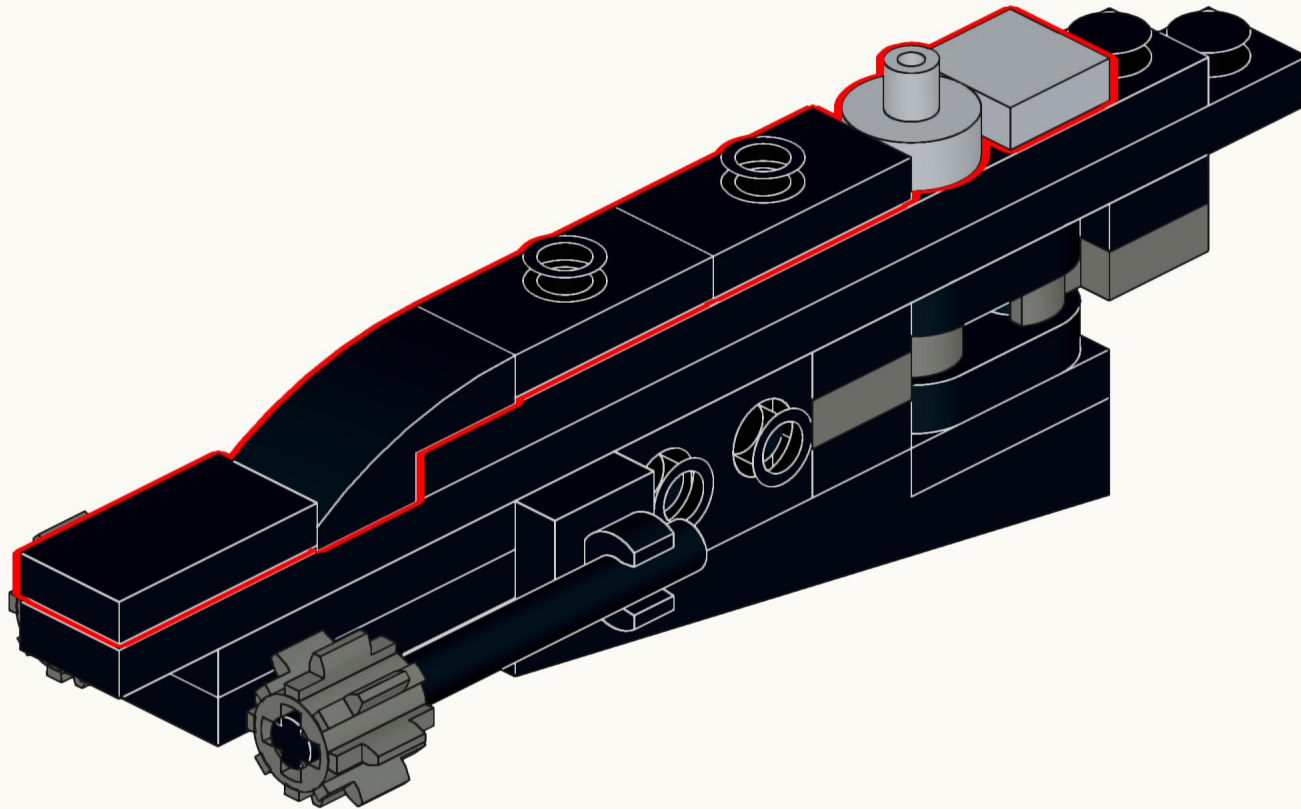
17

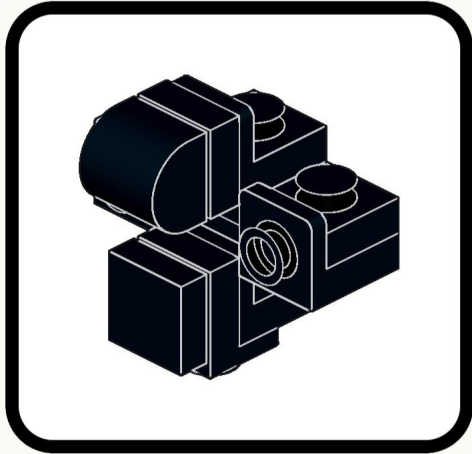
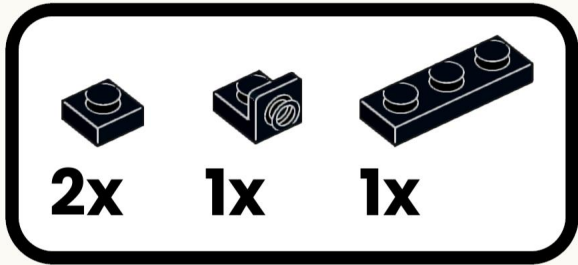


1x 1x 1x 2x 1x

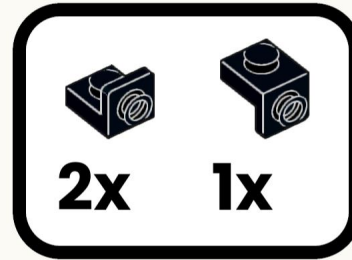
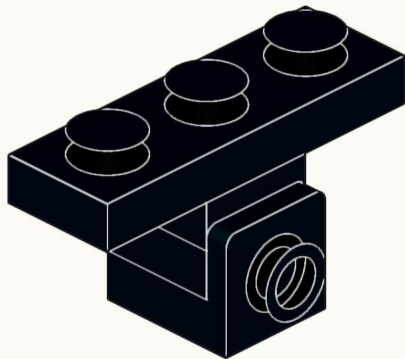


18

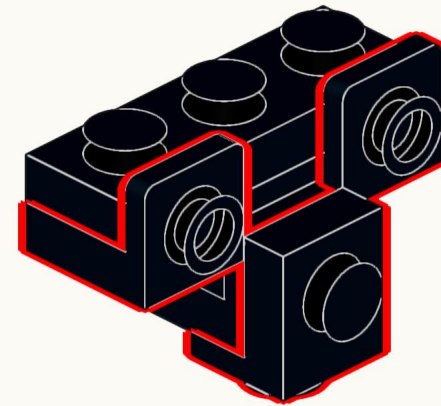


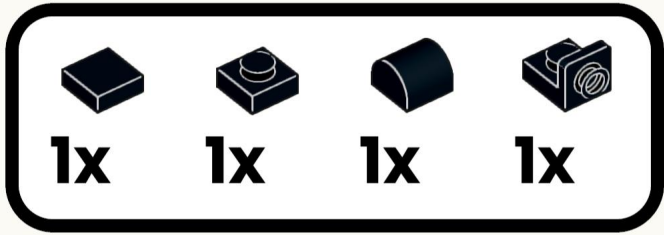


19

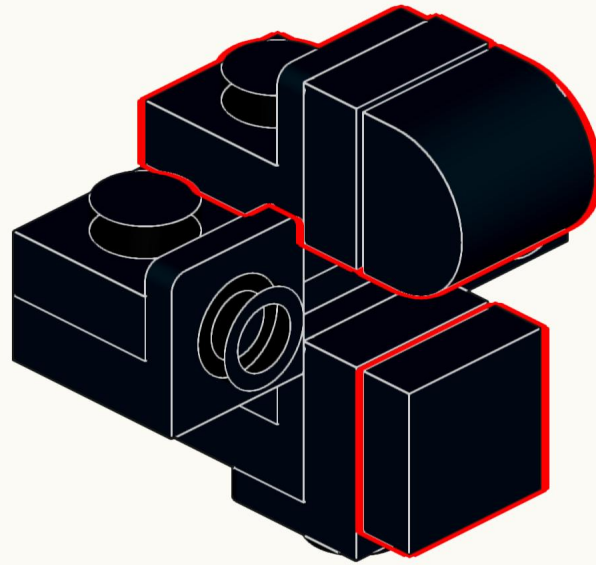


20

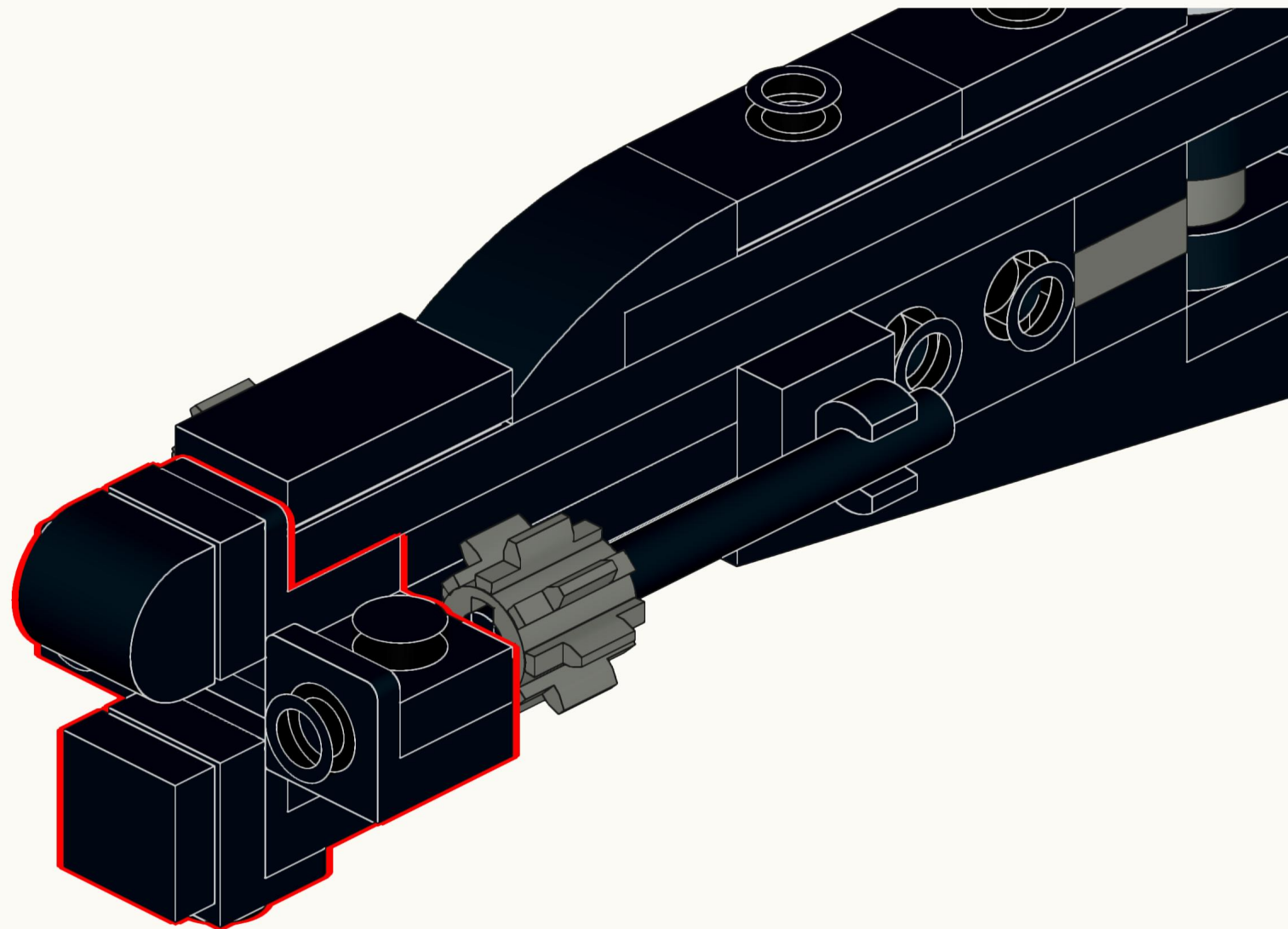




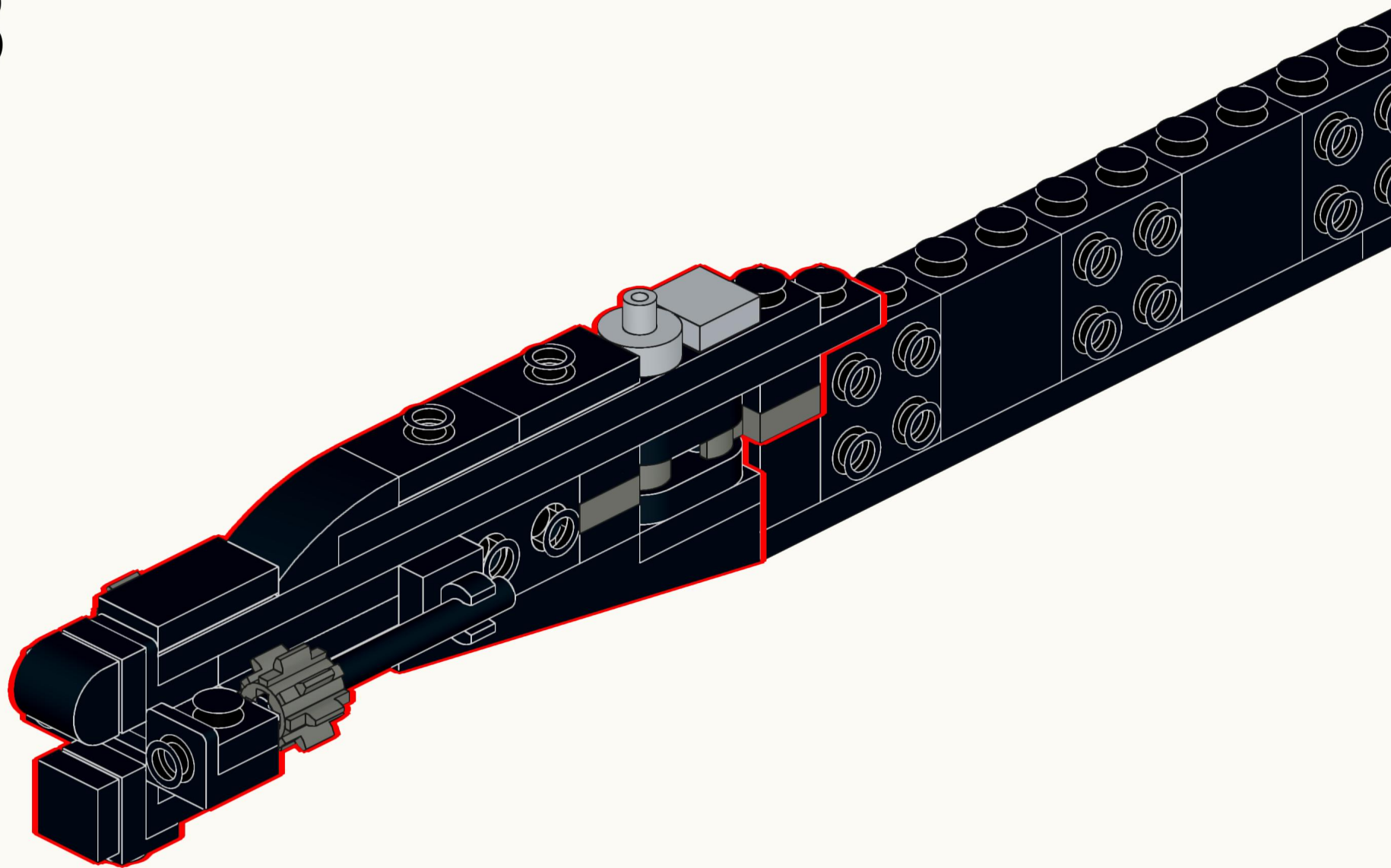
**21**

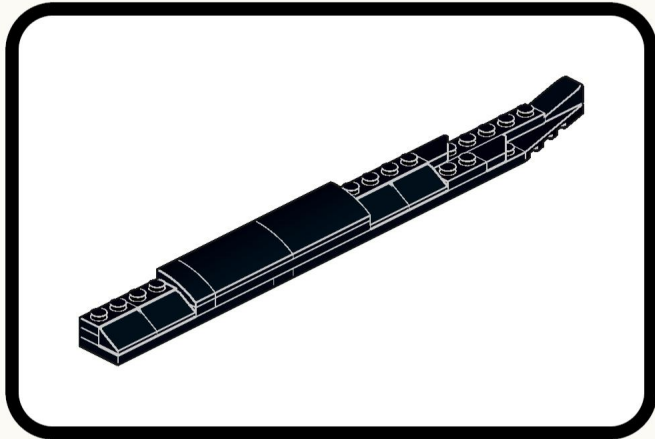
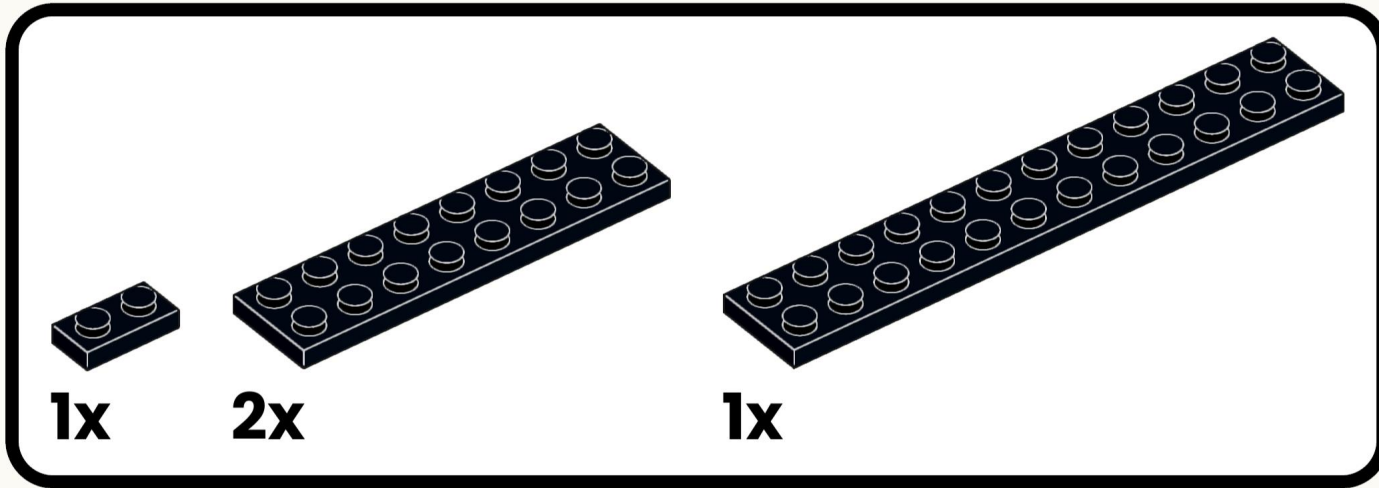


# 22

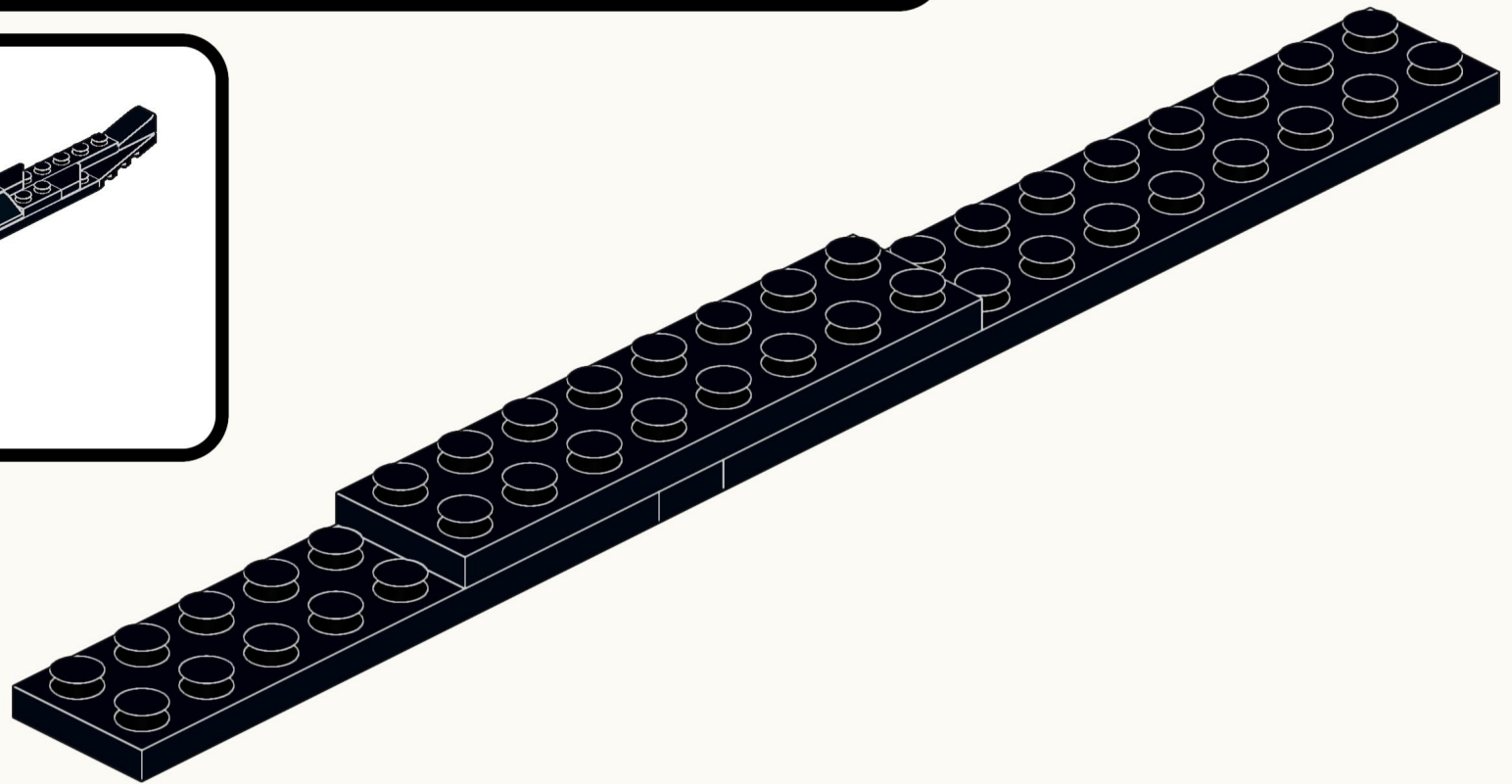


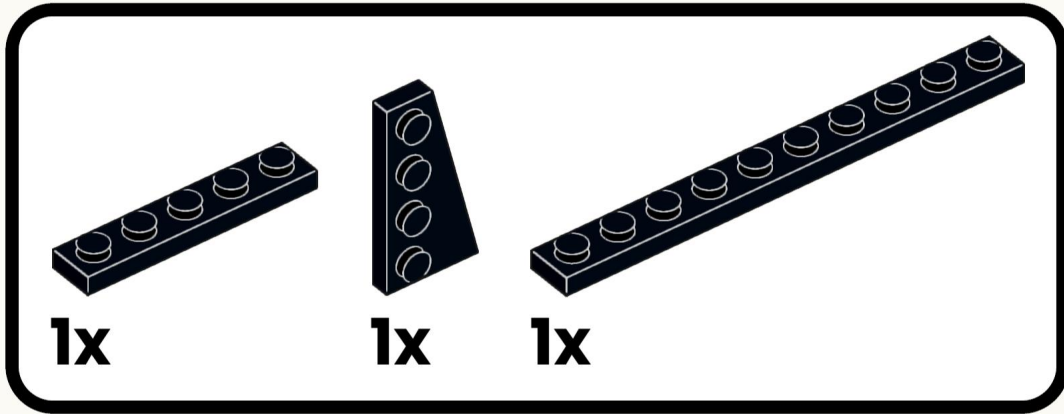
# 23



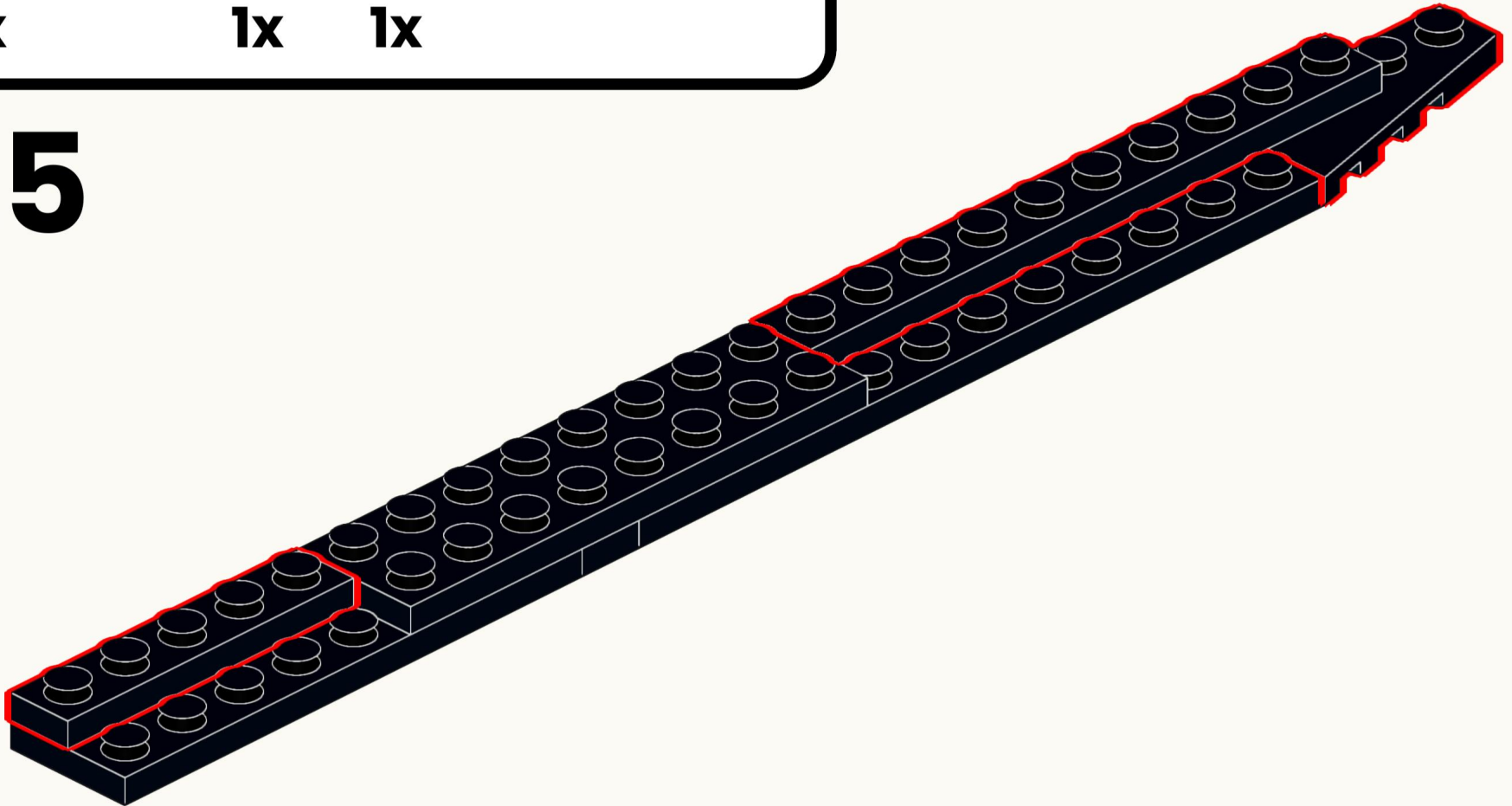


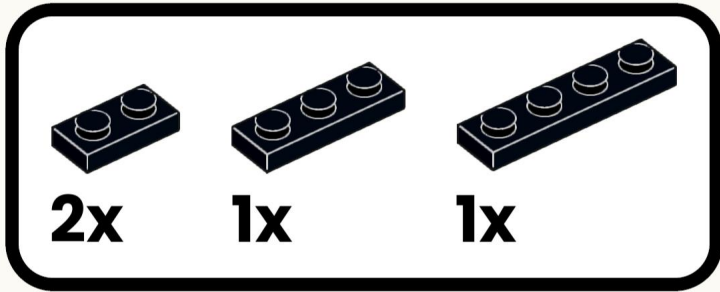
**24**



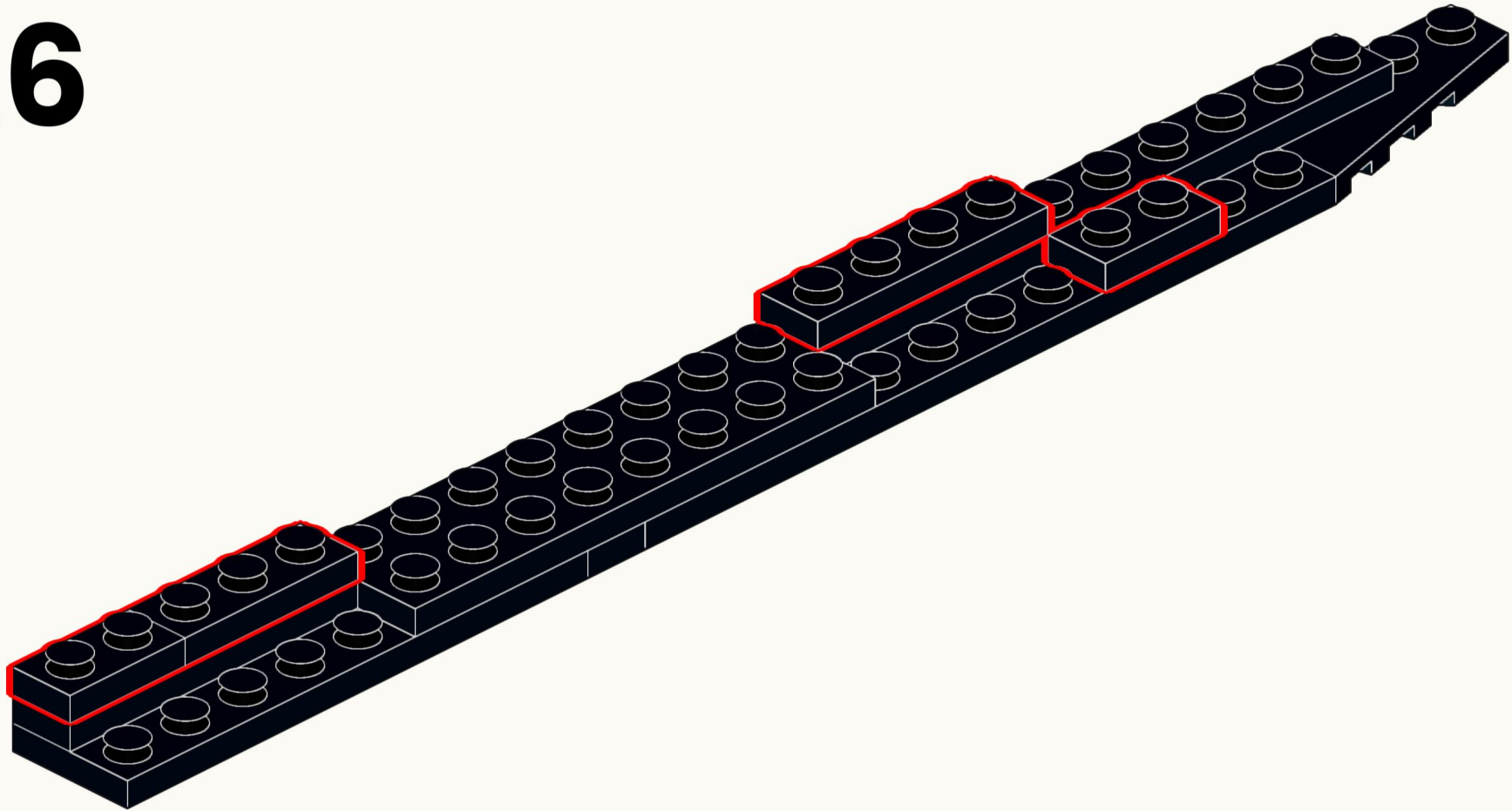


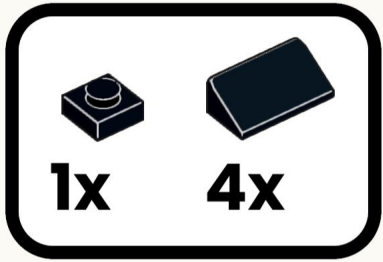
25



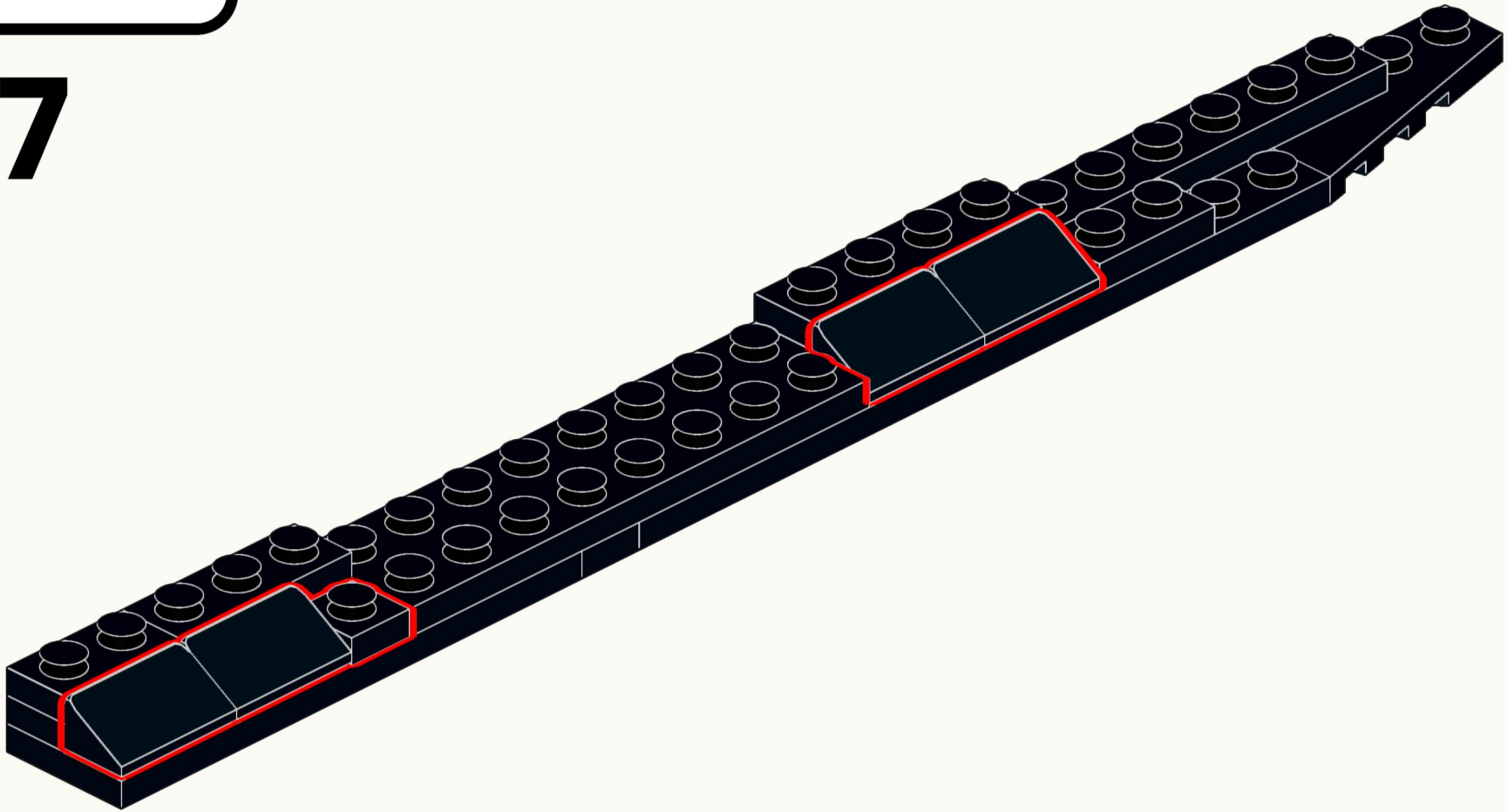


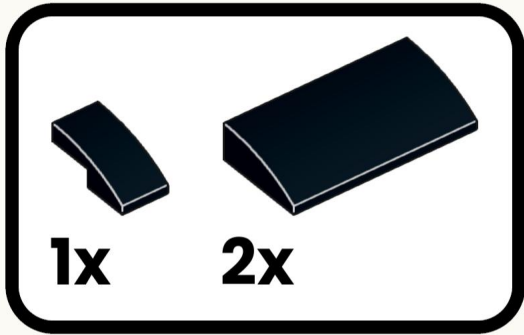
26



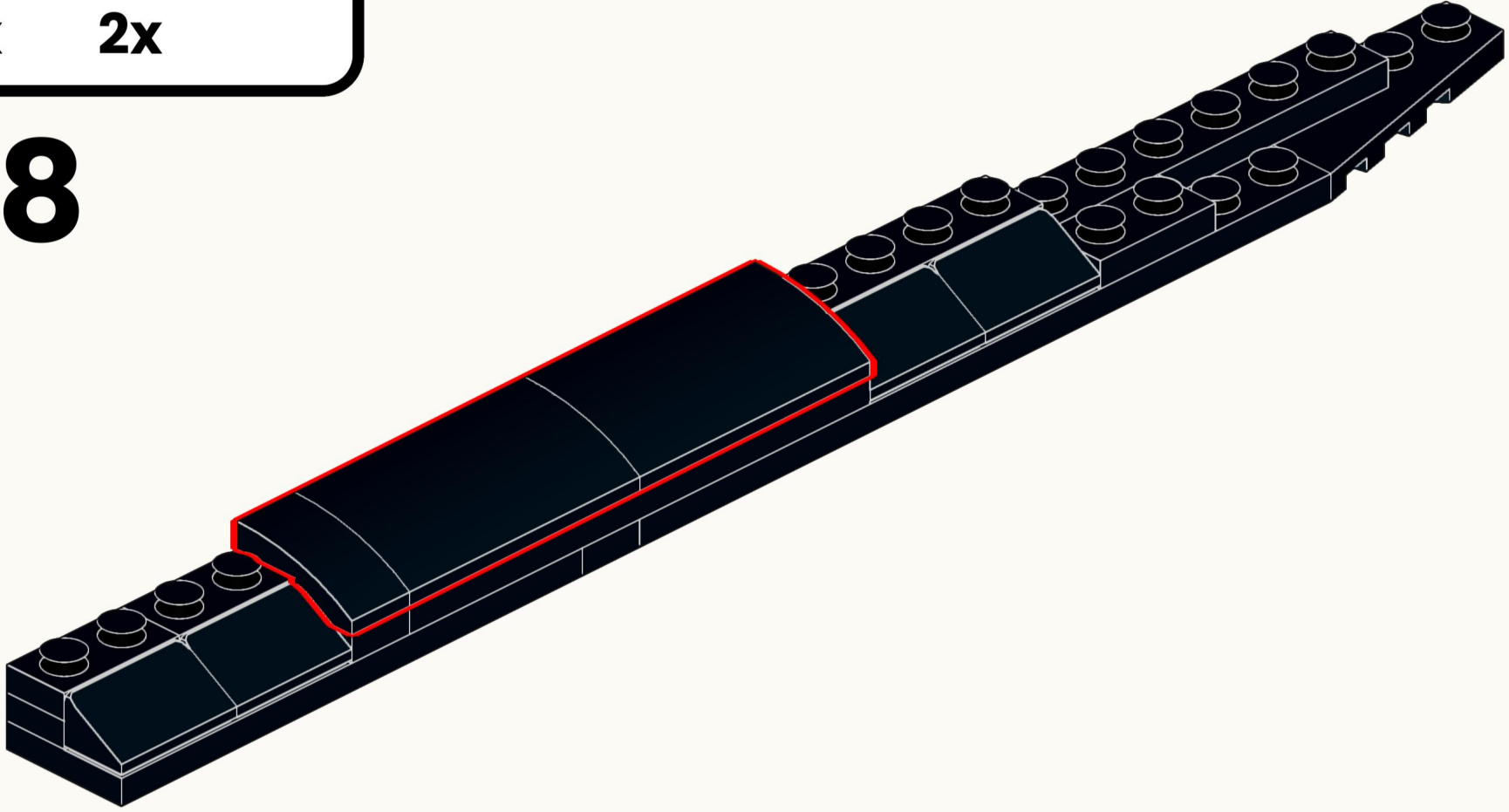


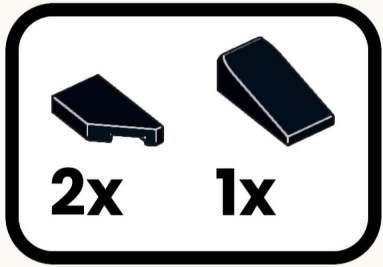
27



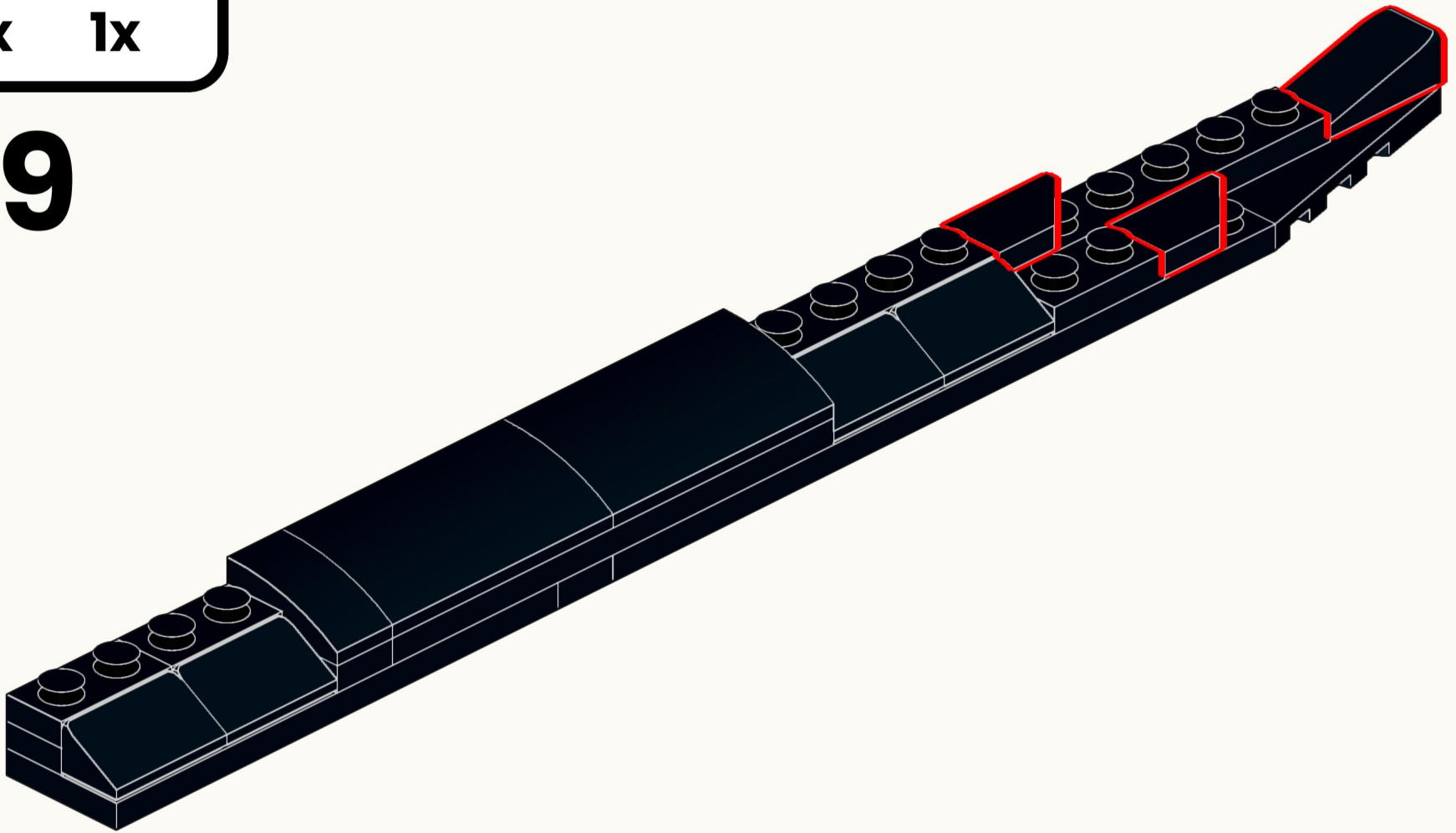


**28**

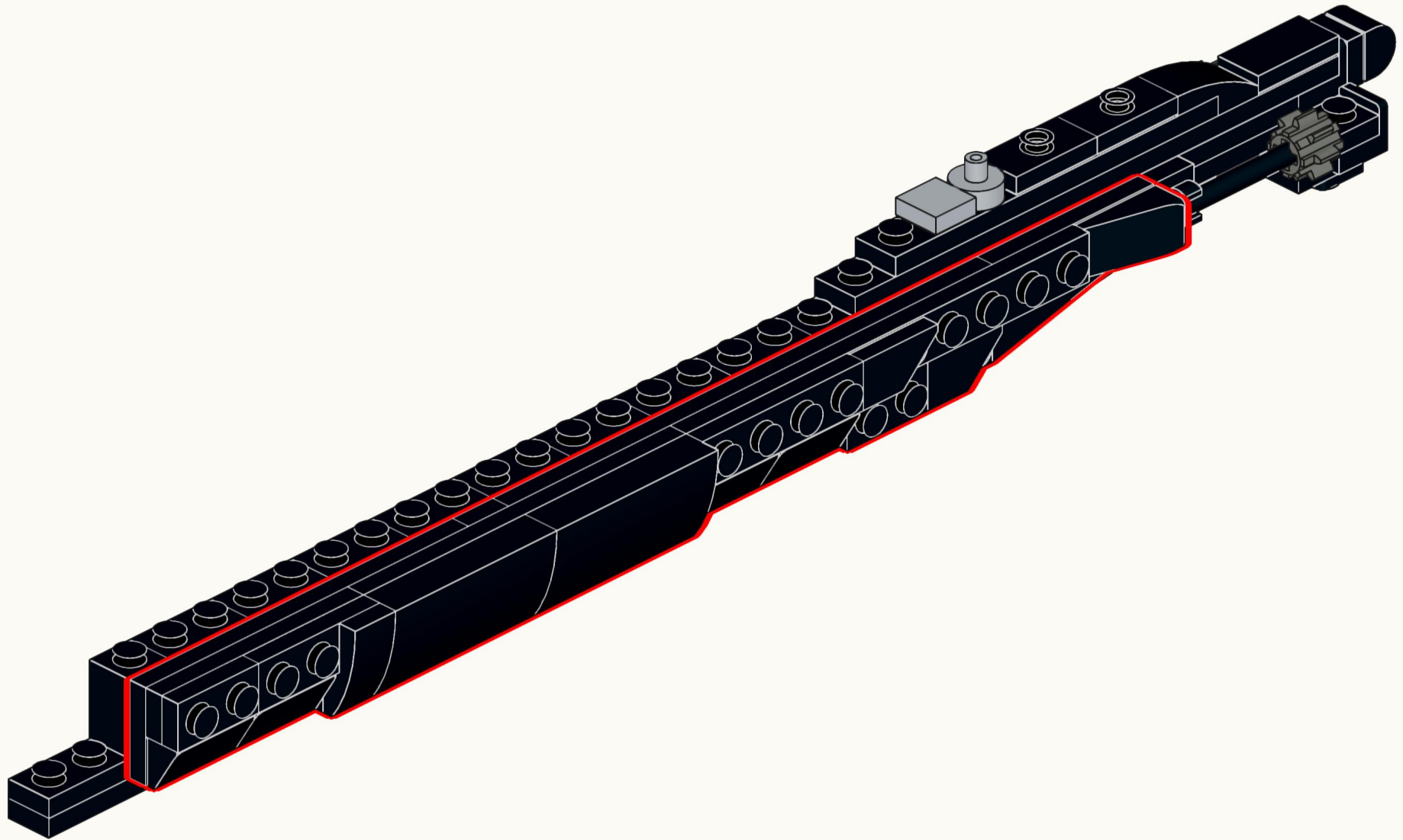


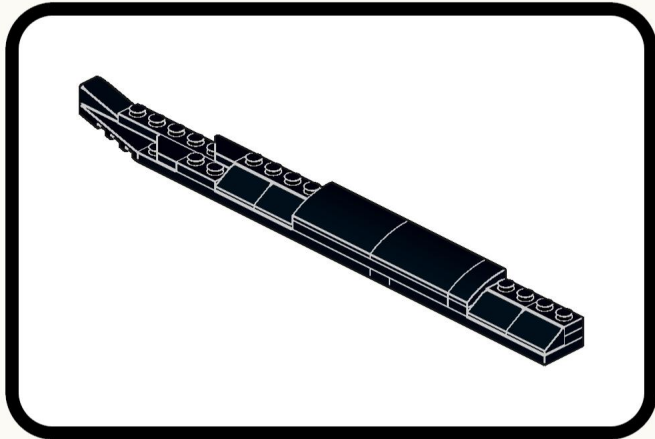
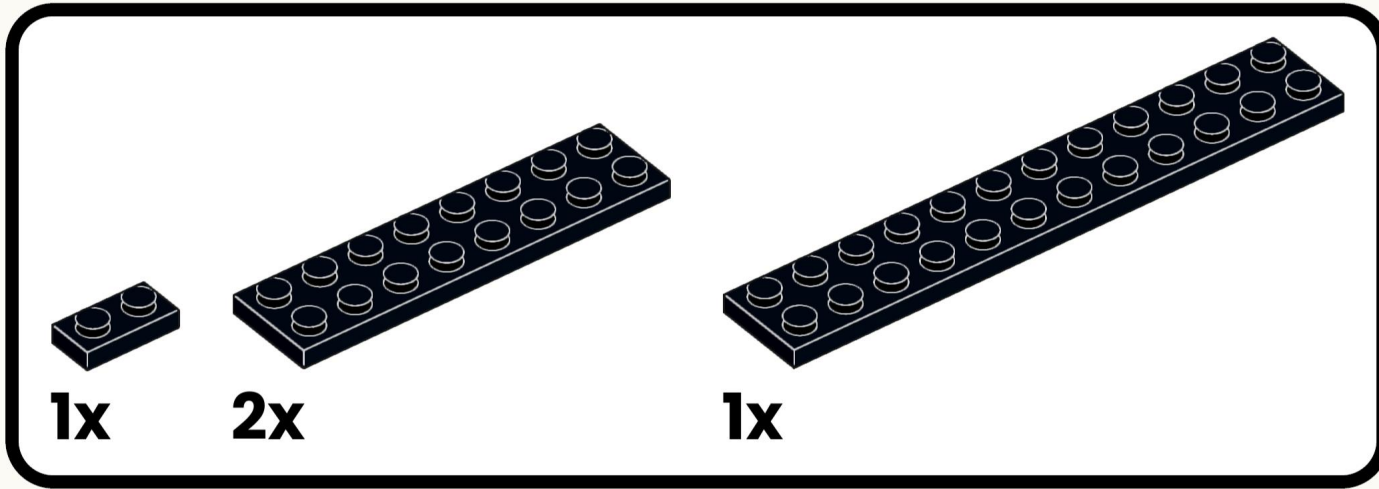


29

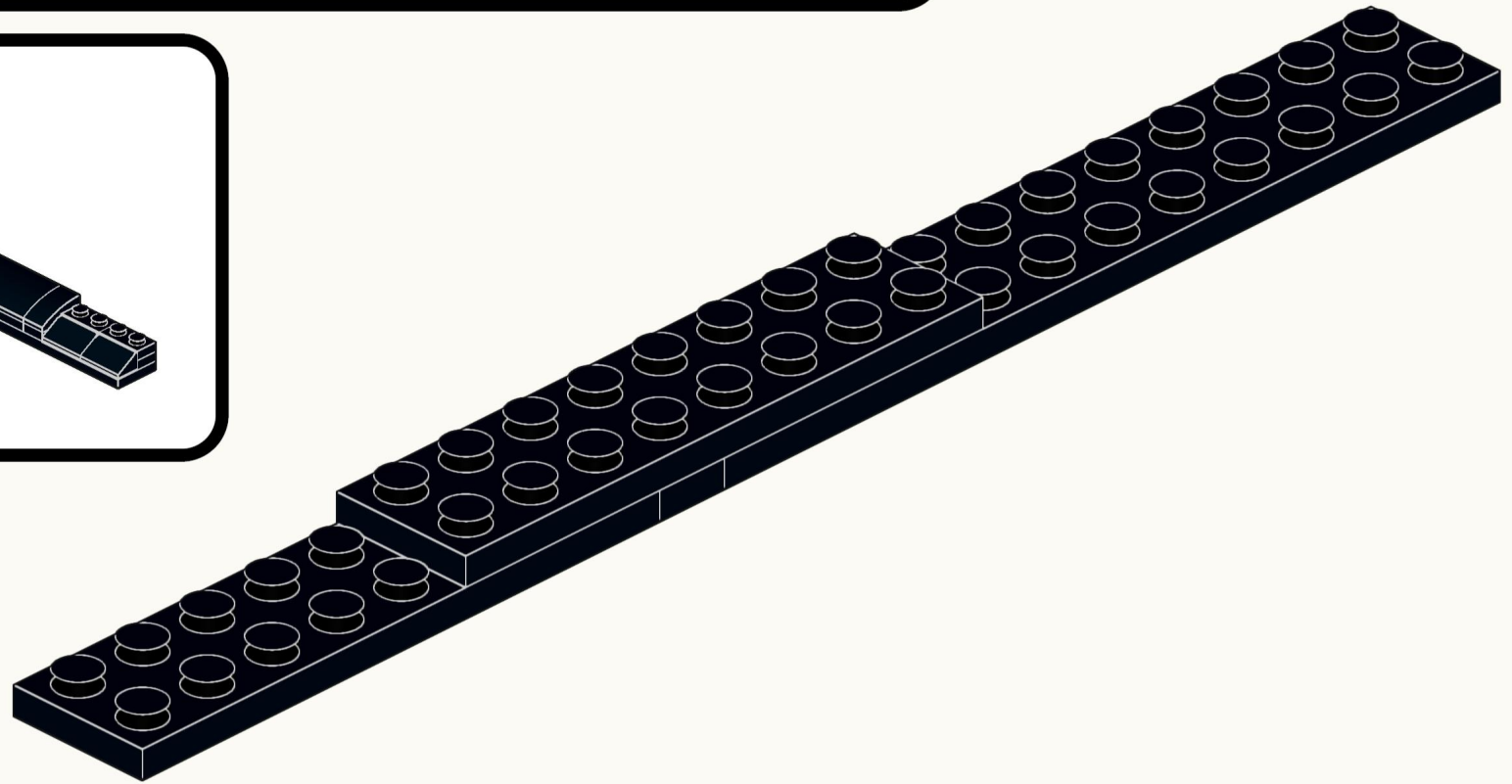


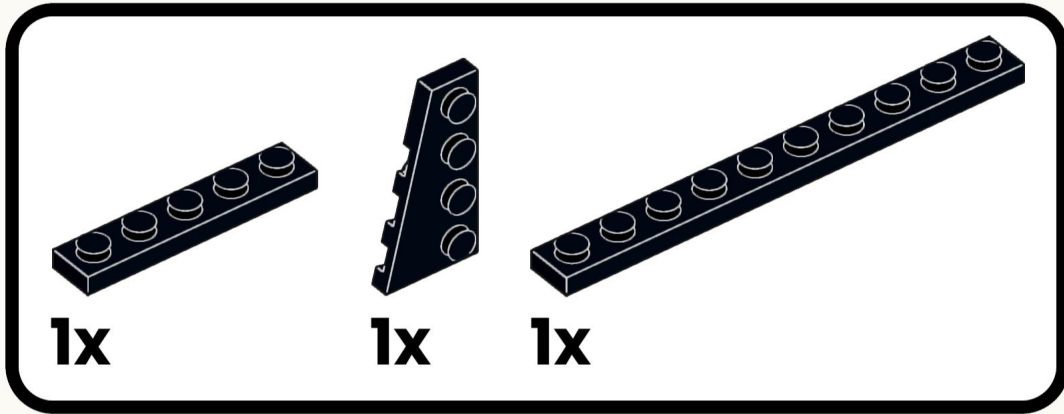
# 30



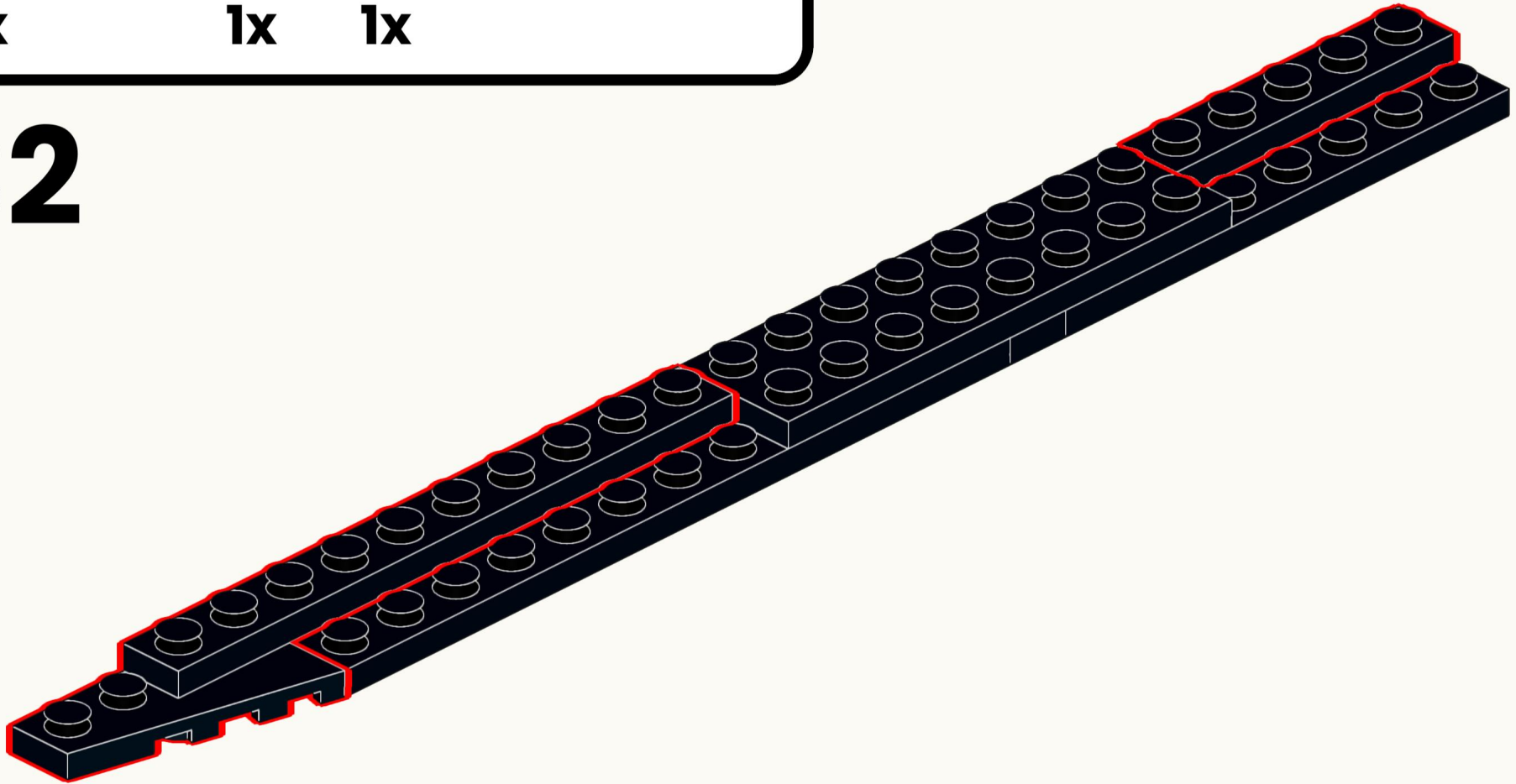


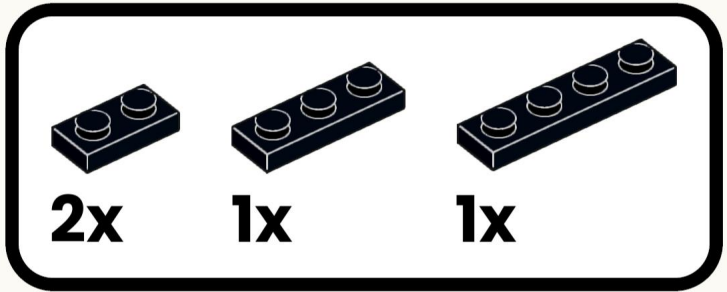
**31**



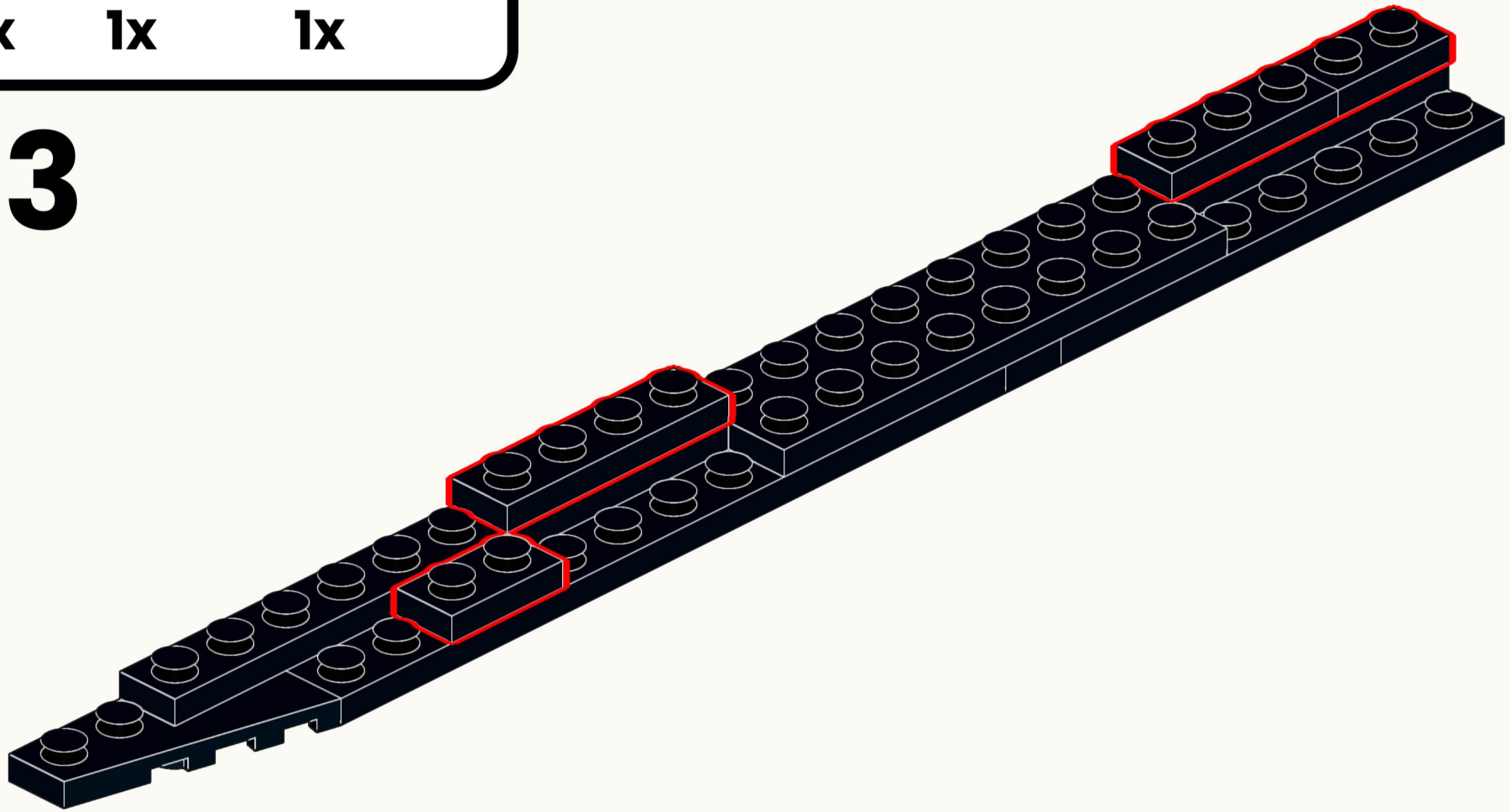


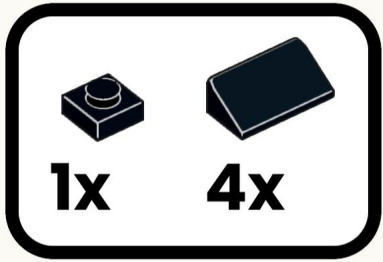
32



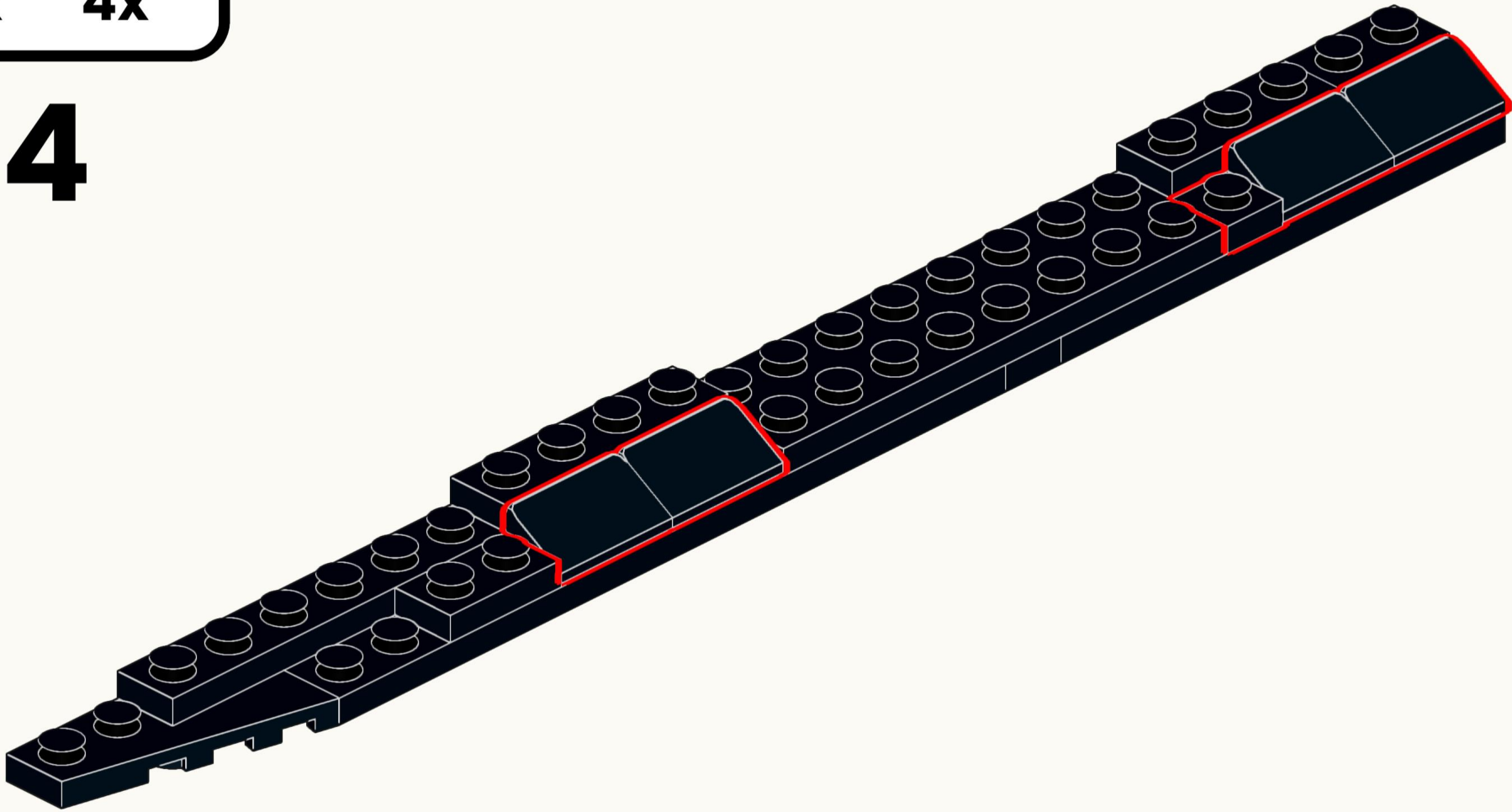


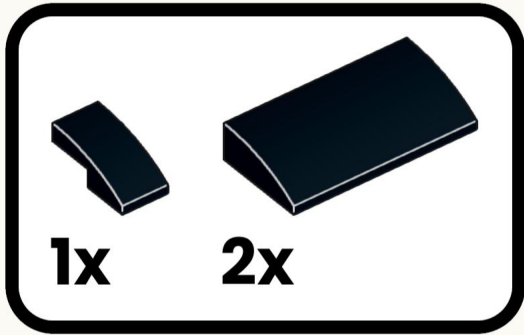
33



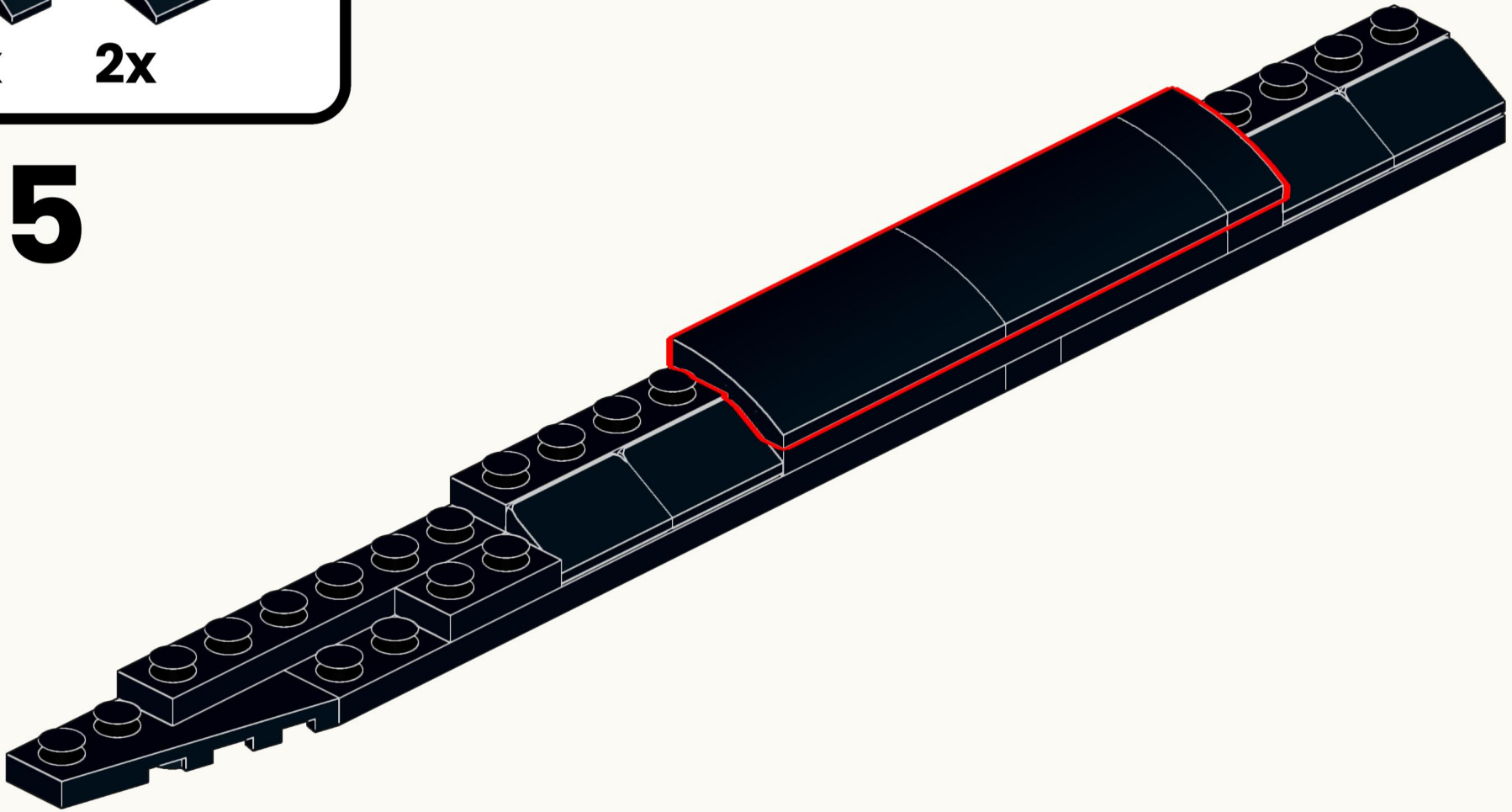


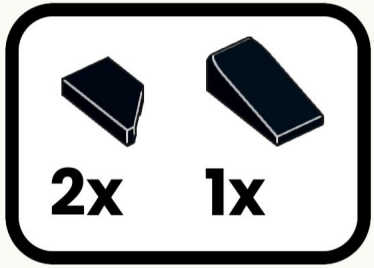
34



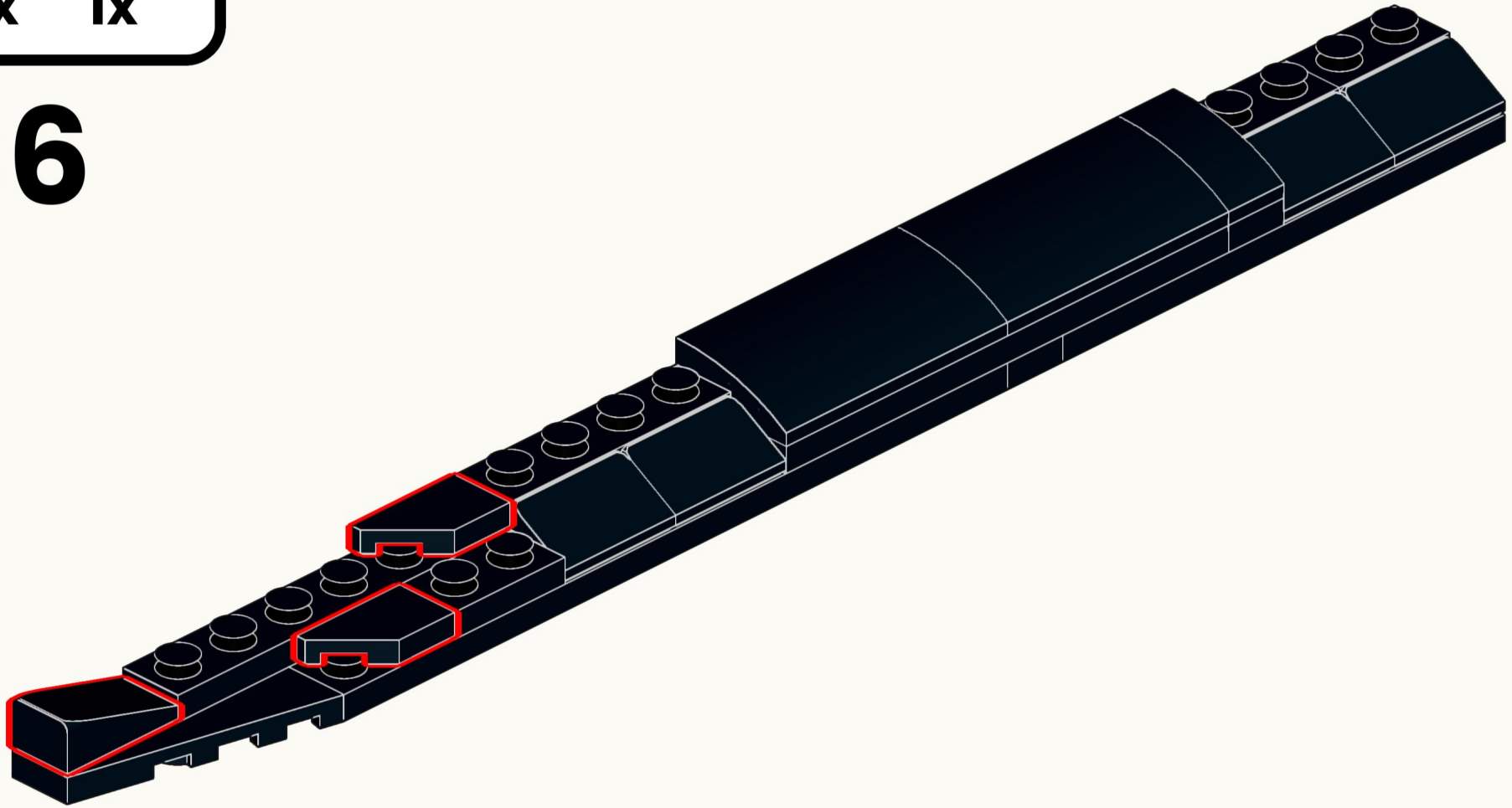


35

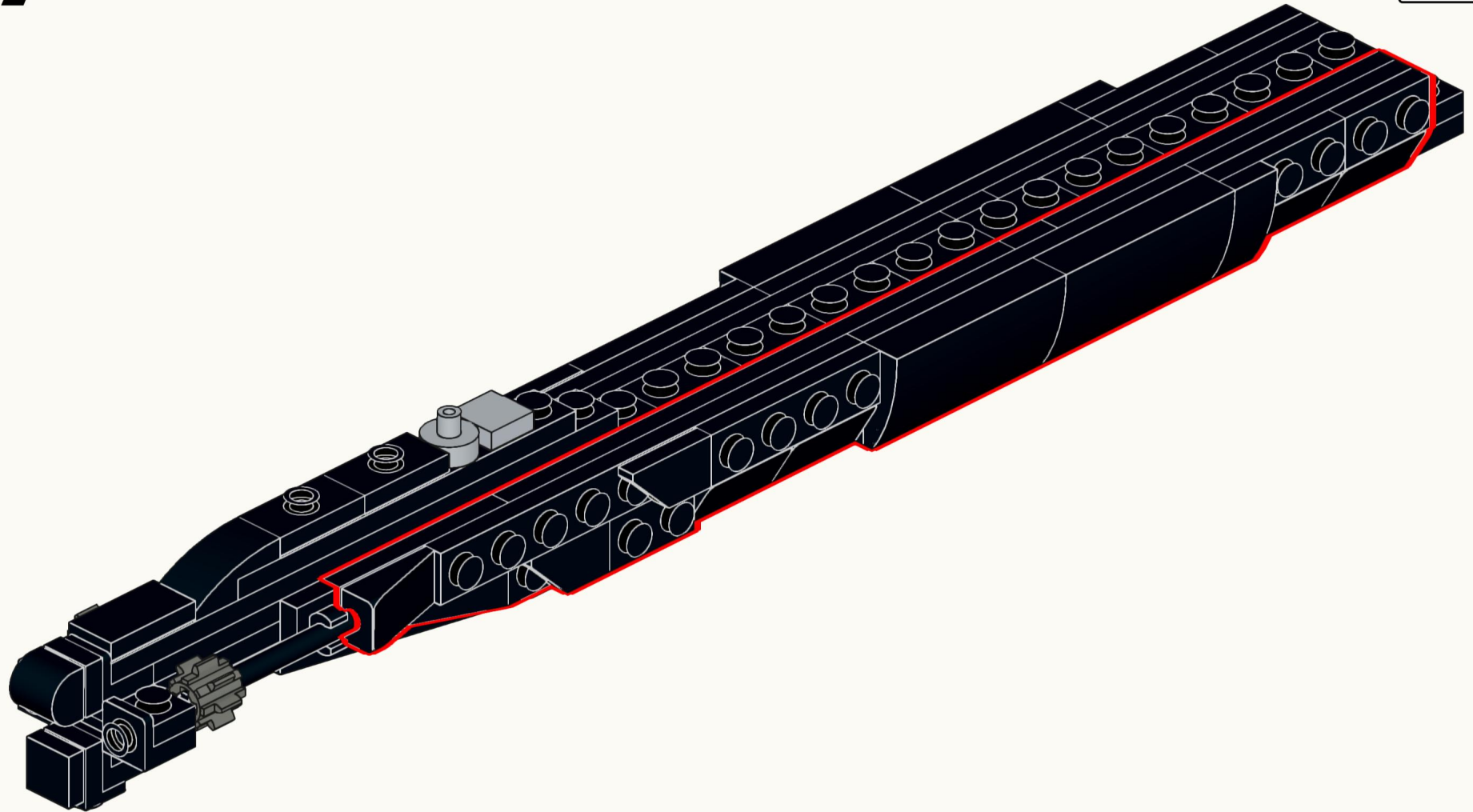


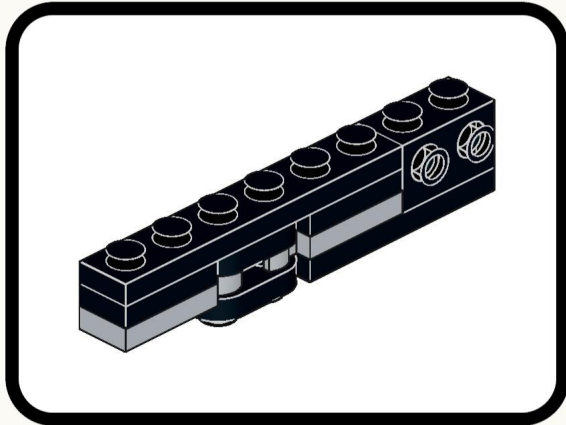
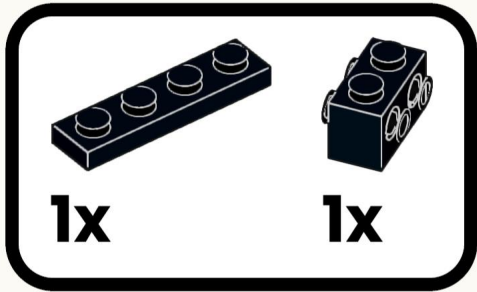


36

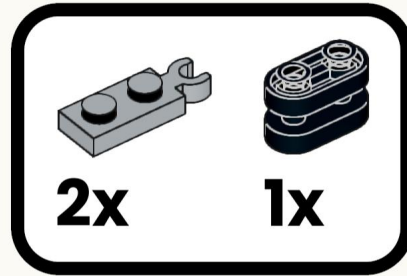
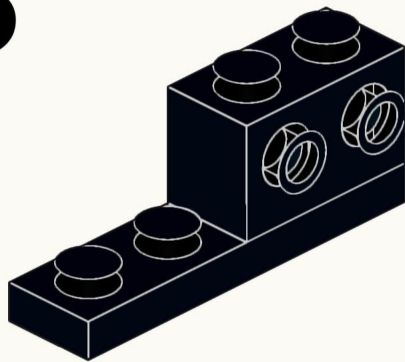


# 37

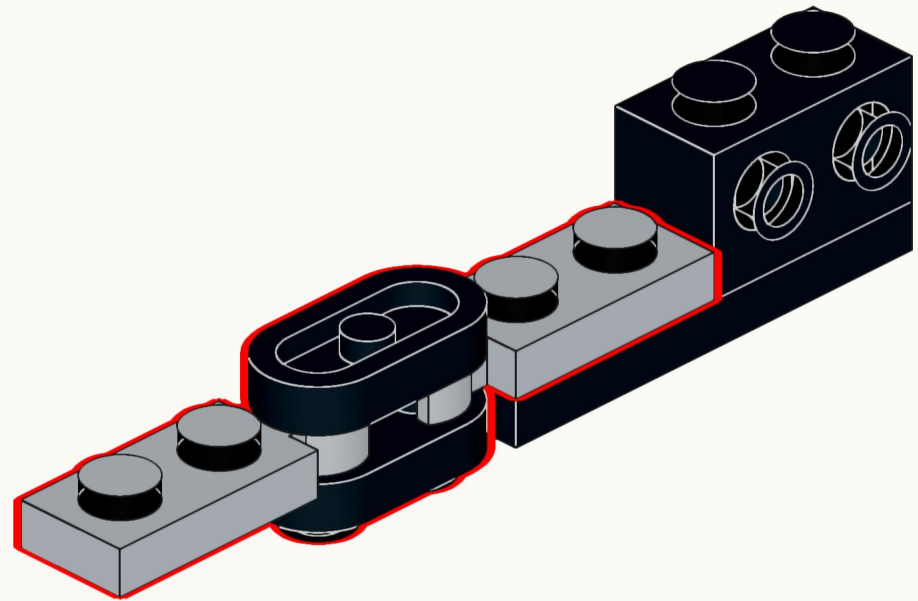
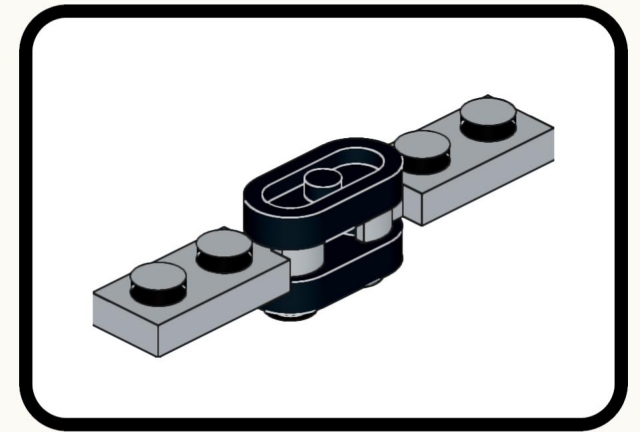


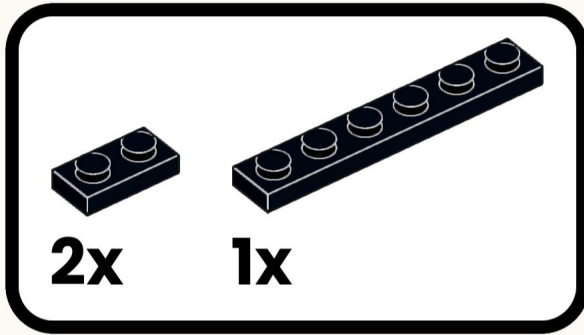


**38**

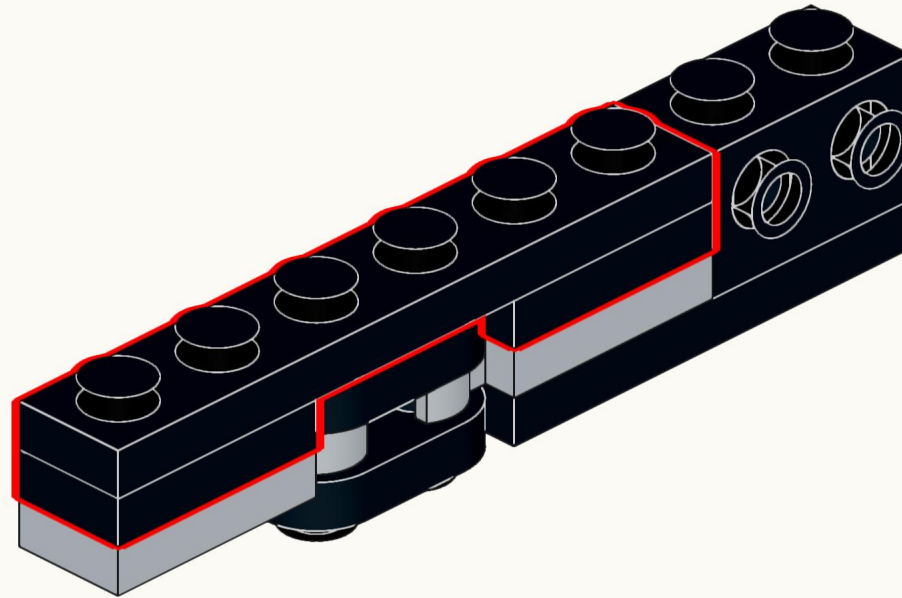


**39**

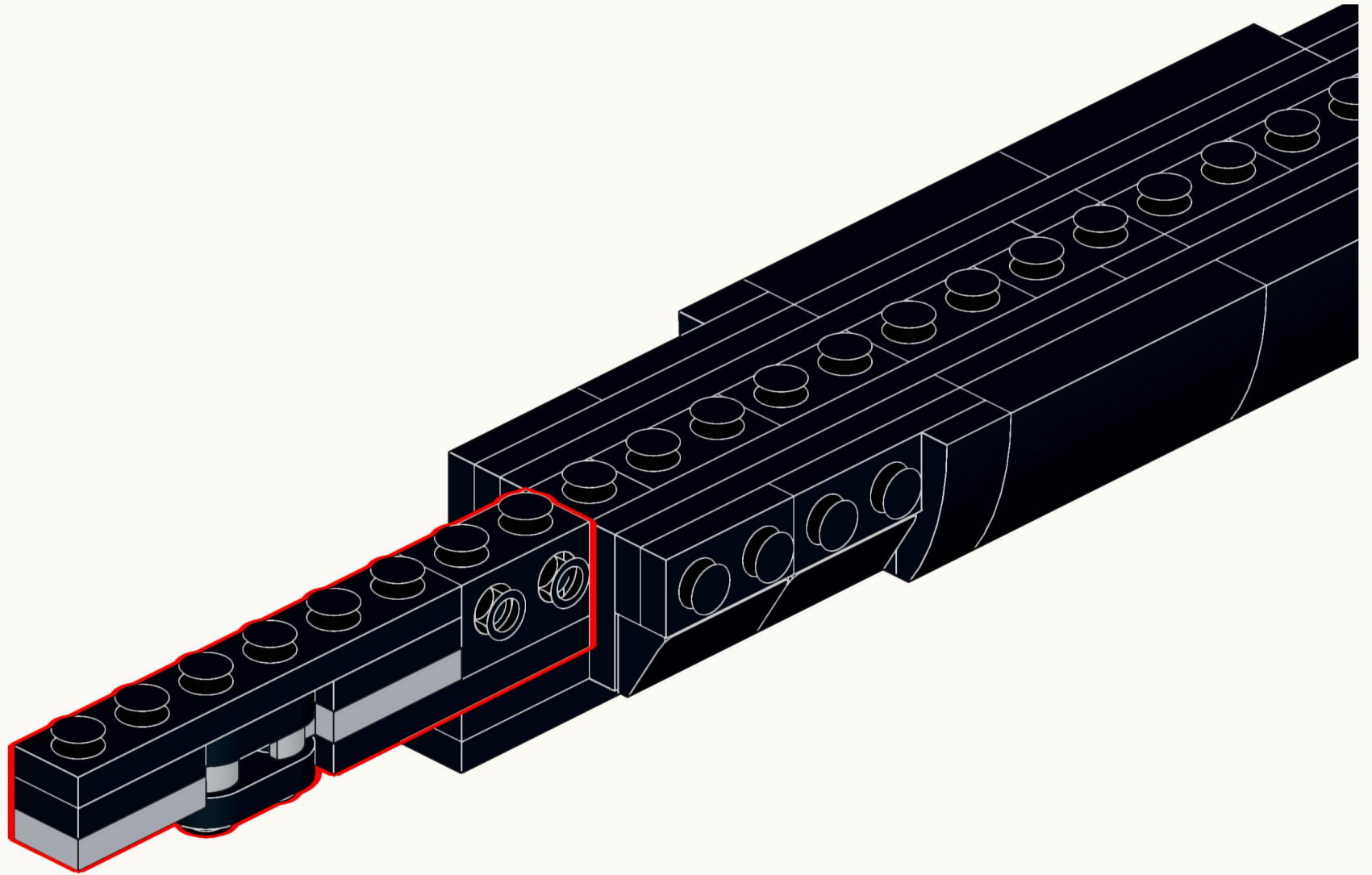


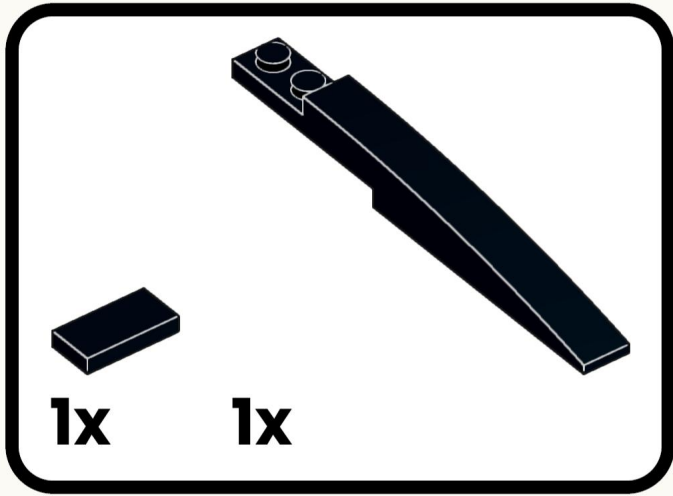


40

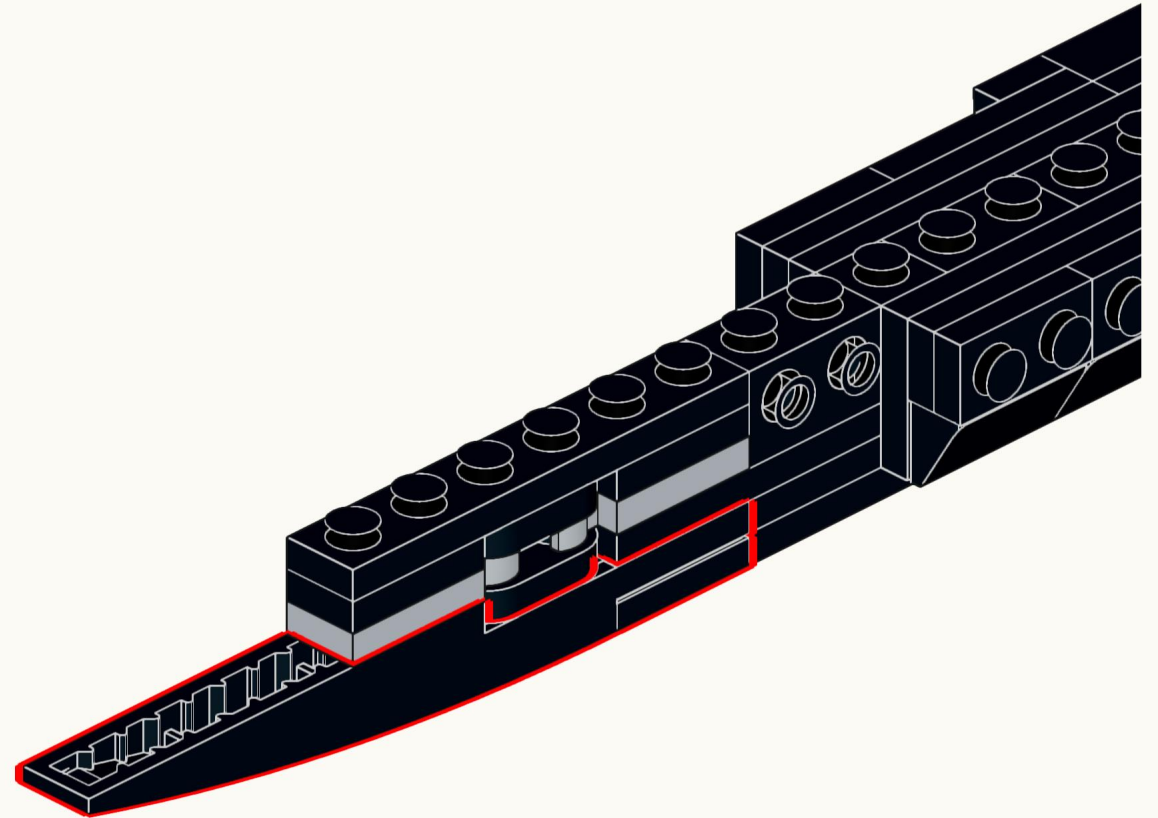
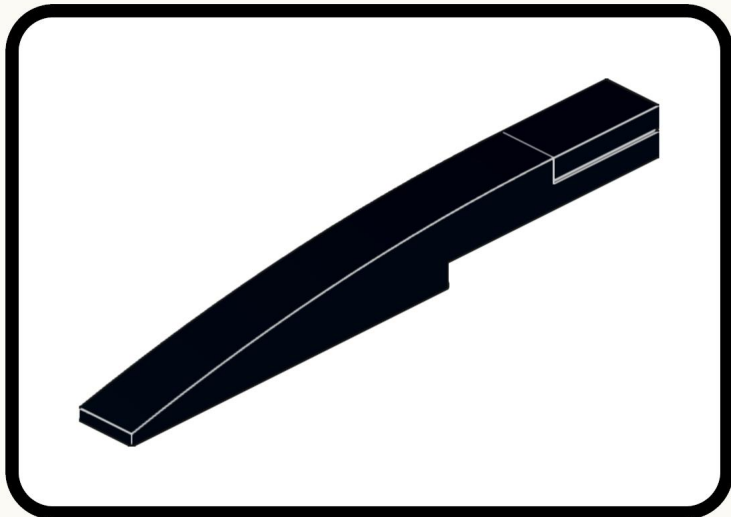


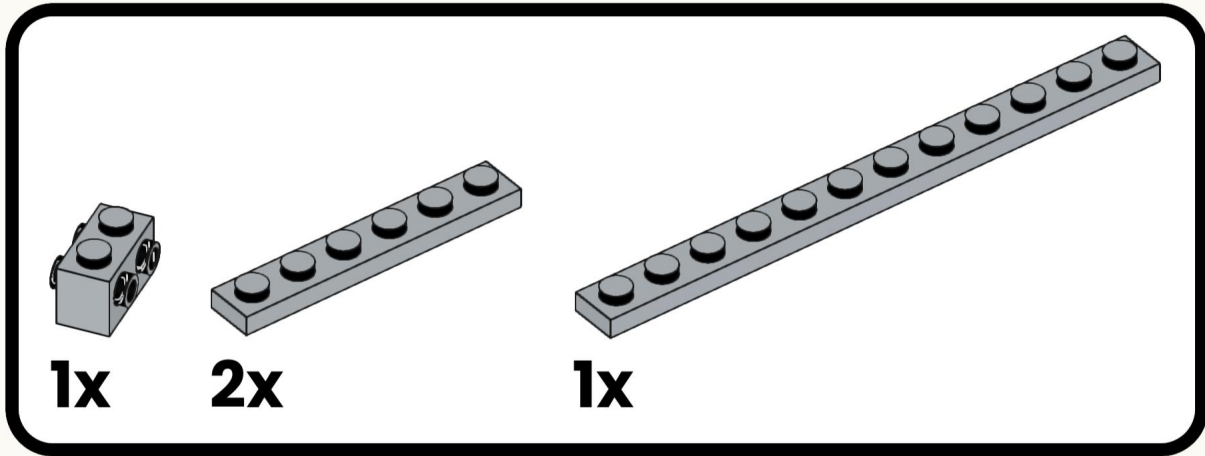
41



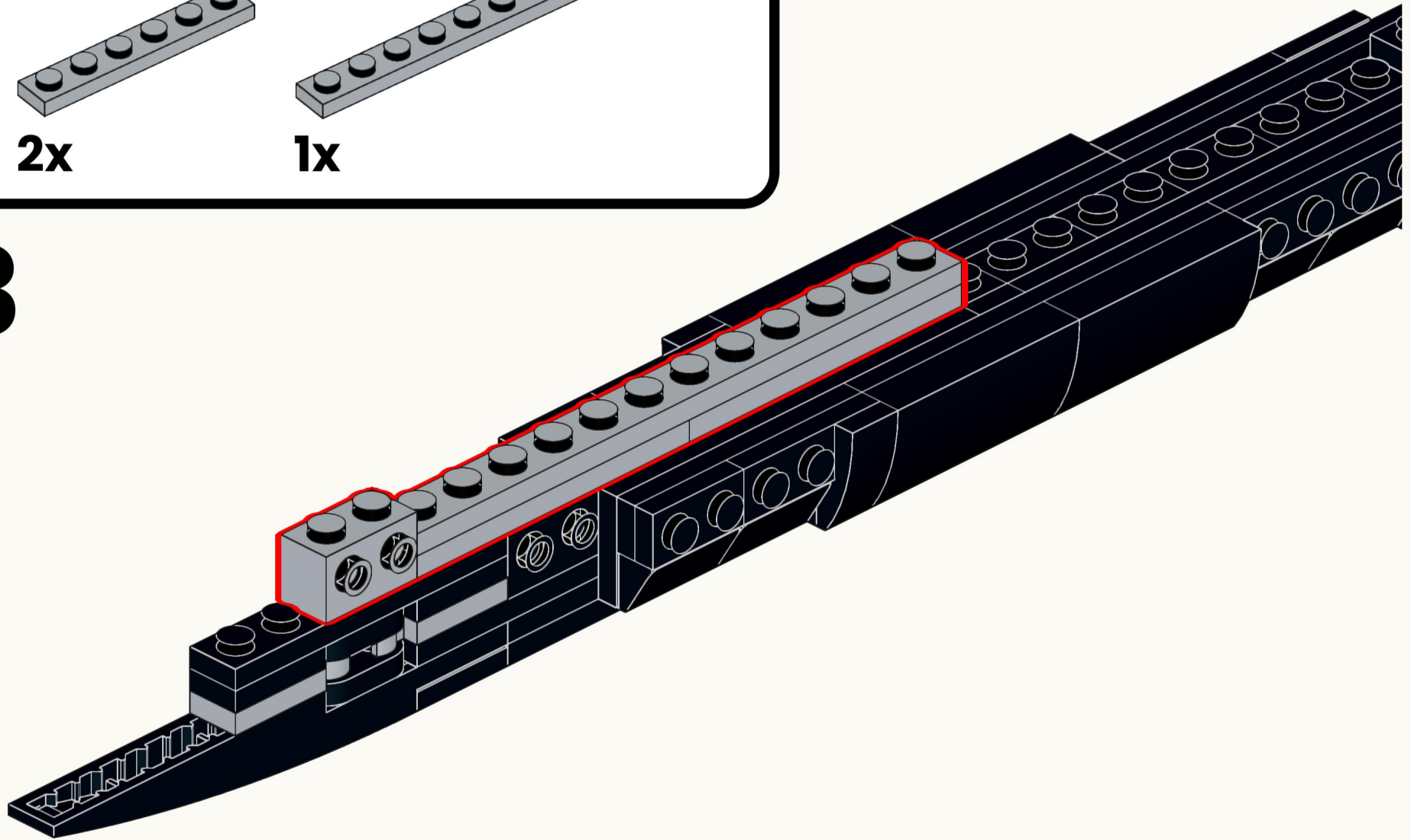


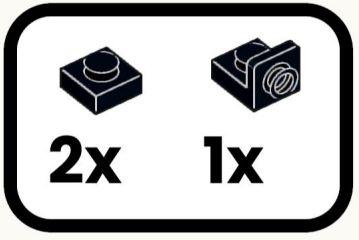
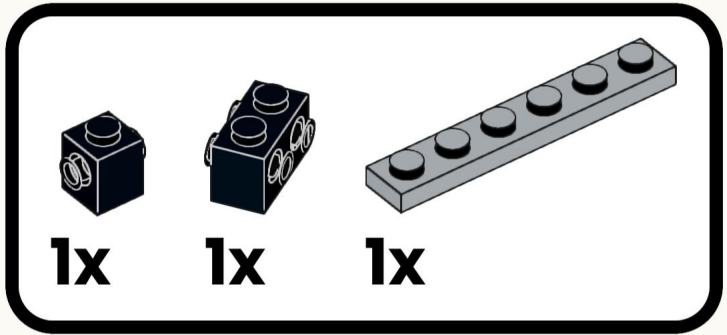
42



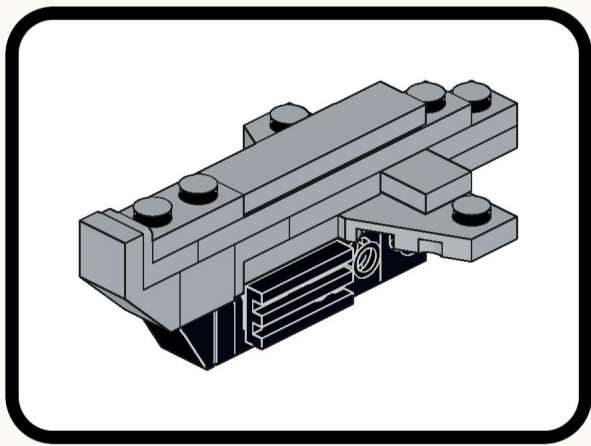


43

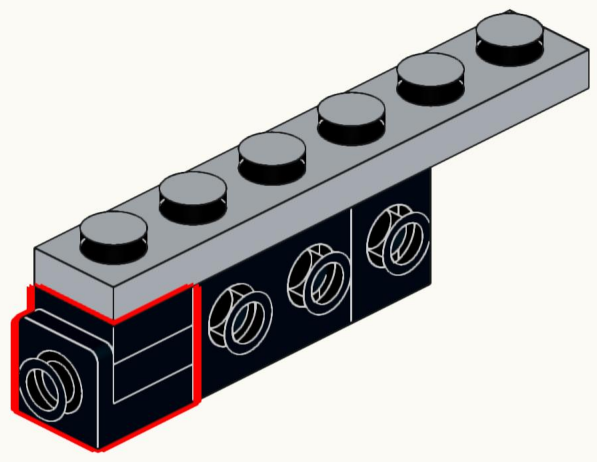
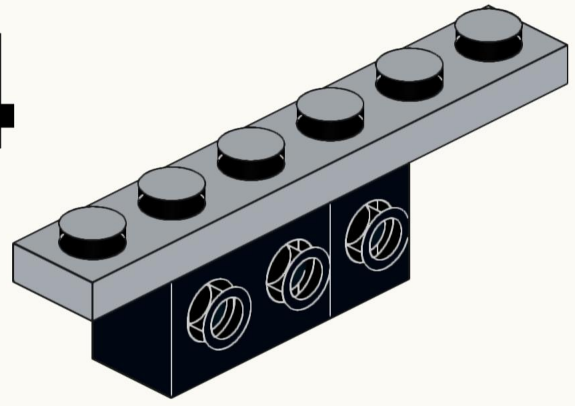


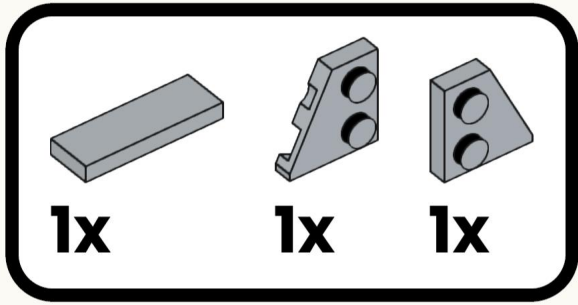


45

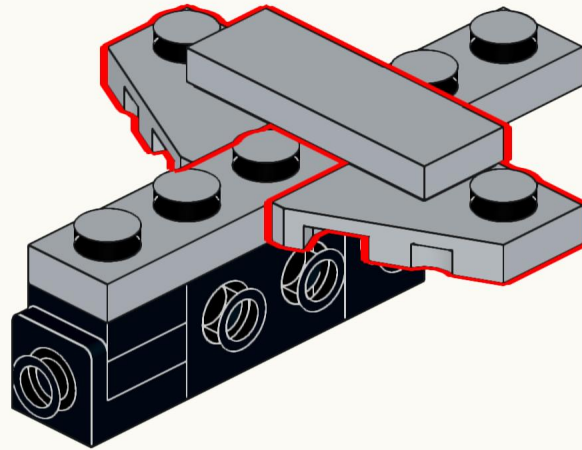
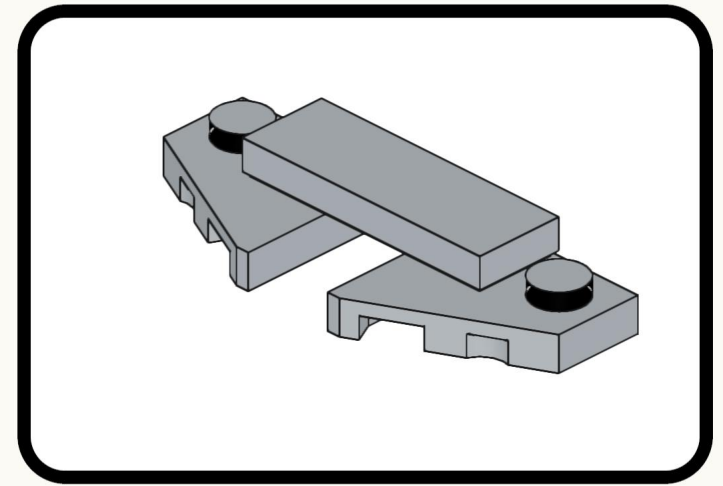


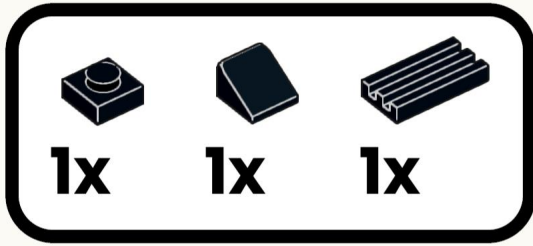
44



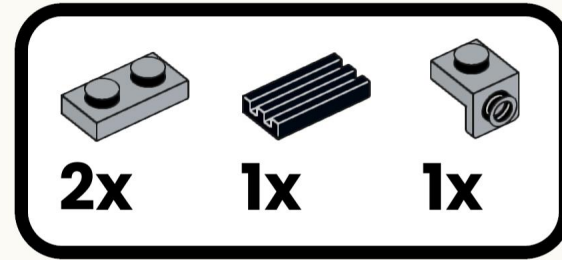
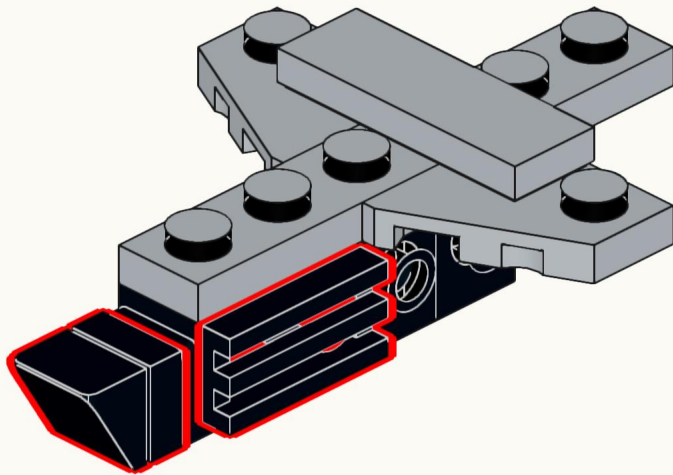


46

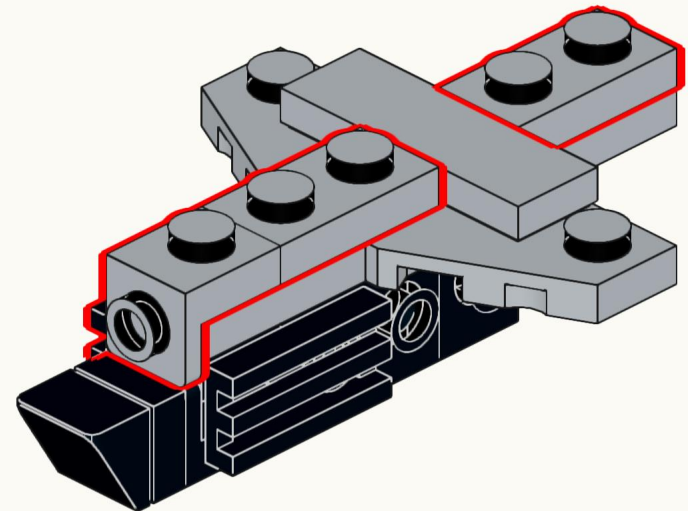


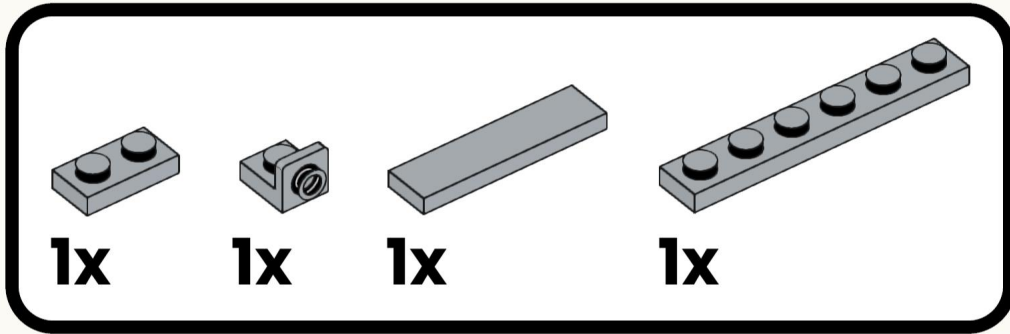


47

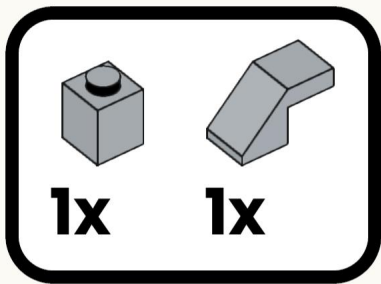
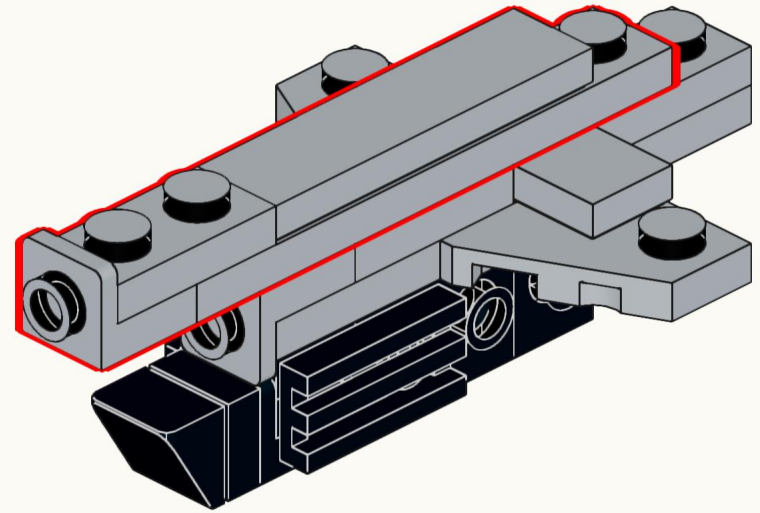


48

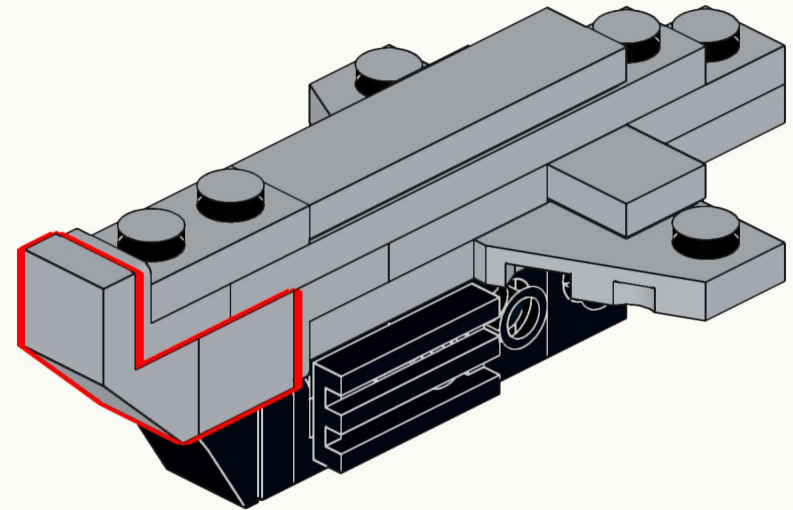




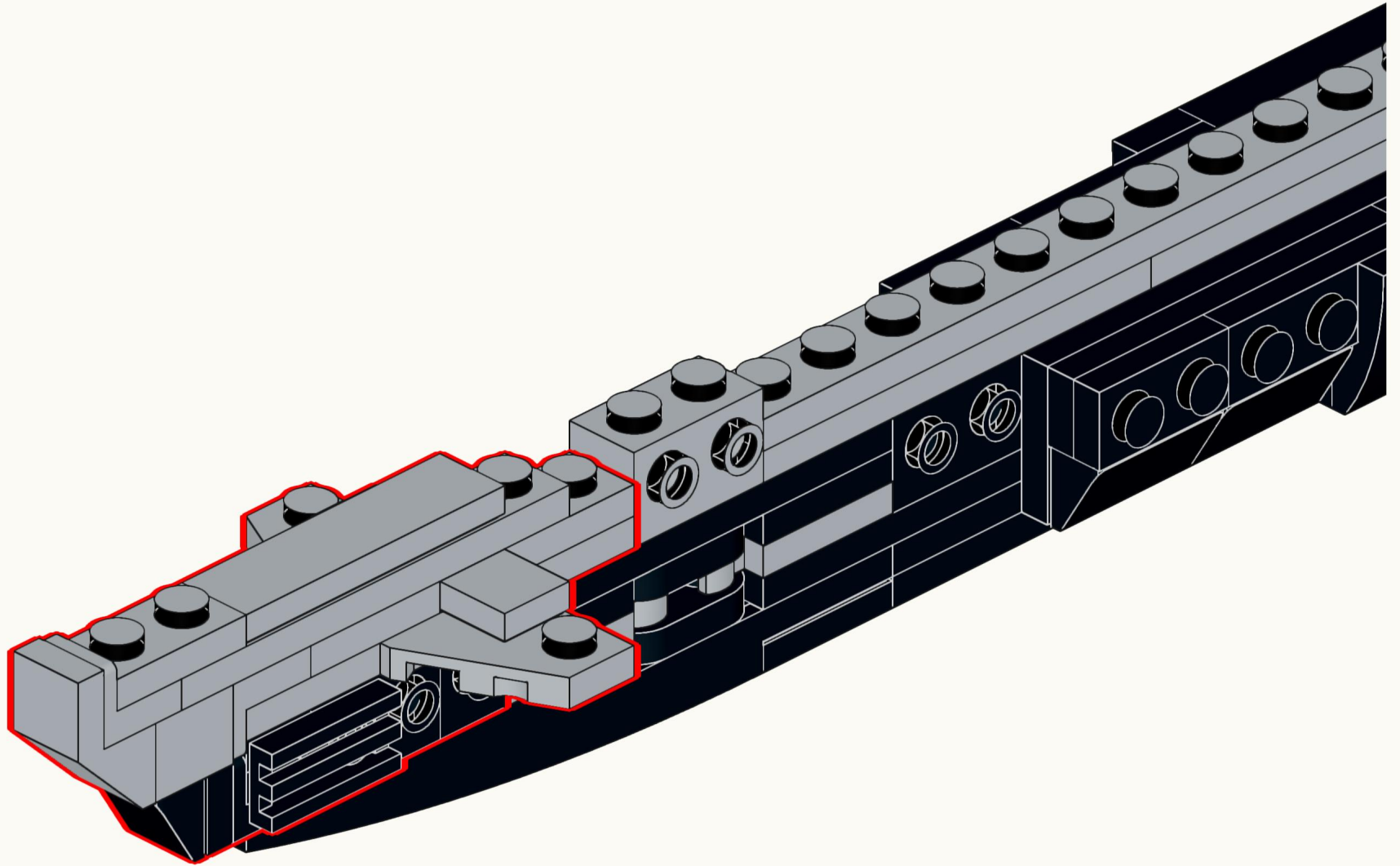
49

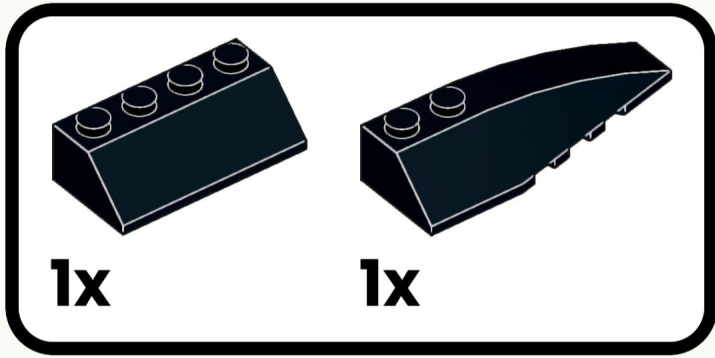


50

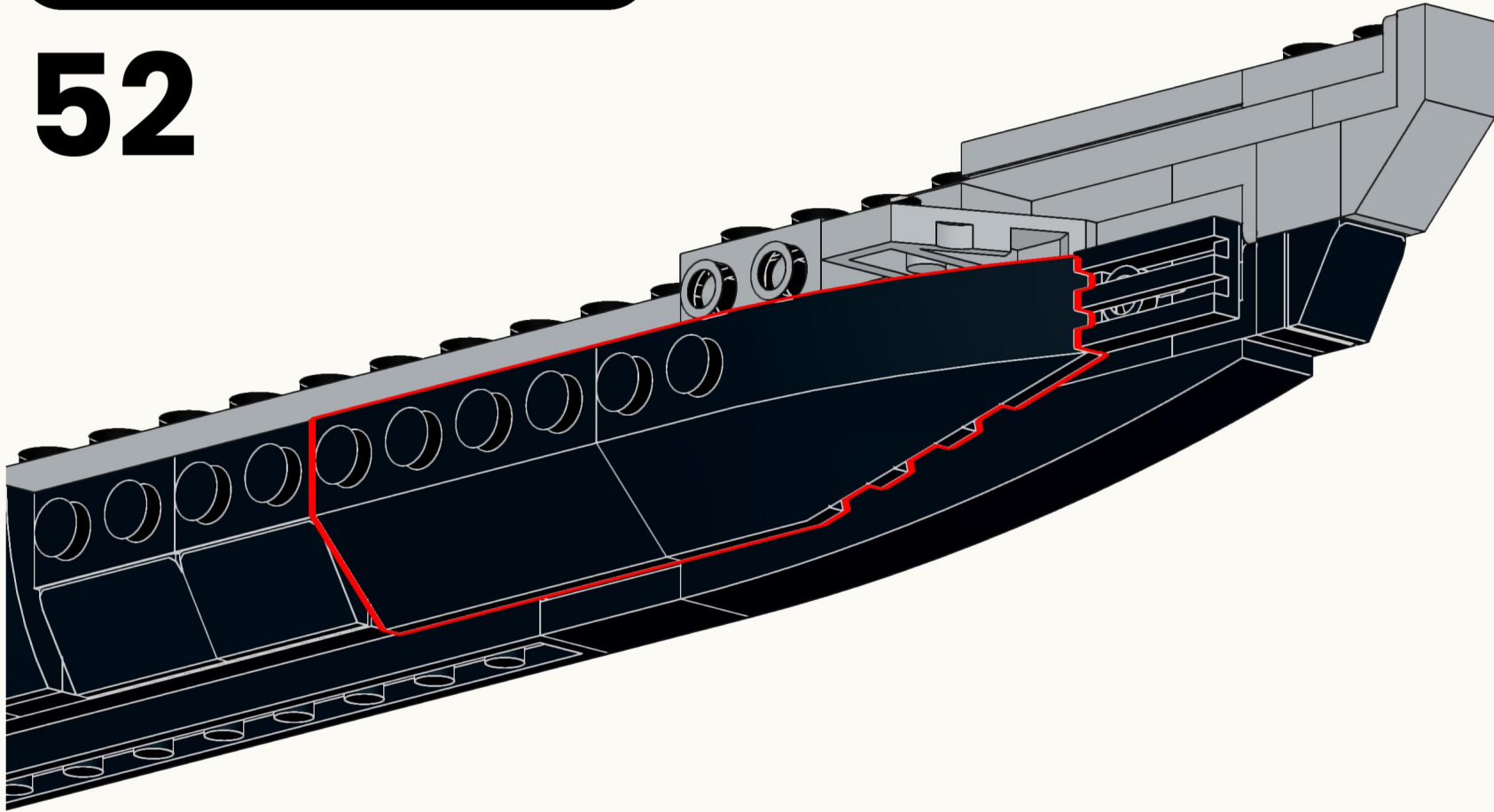


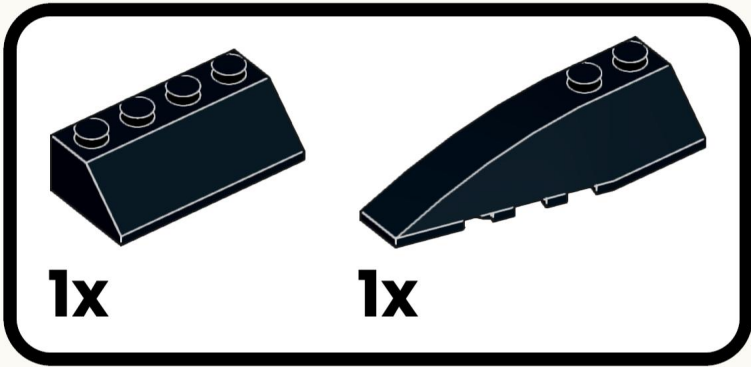
51



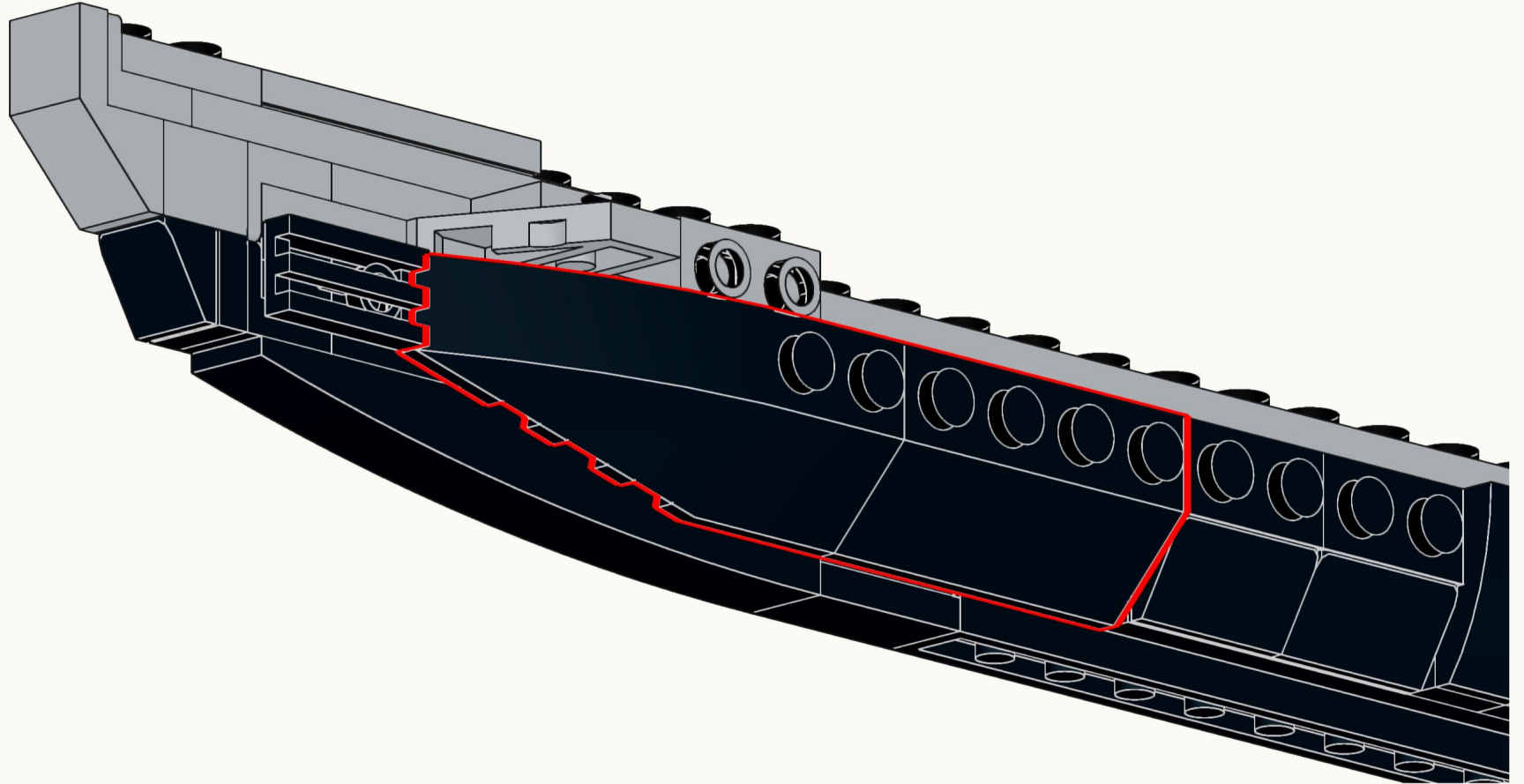


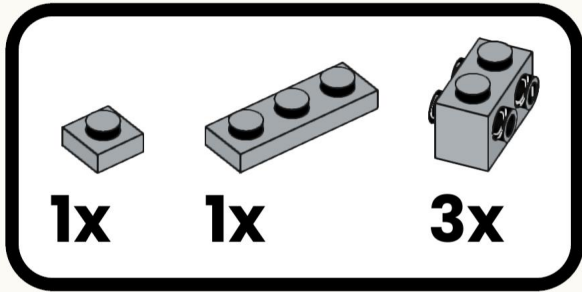
**52**



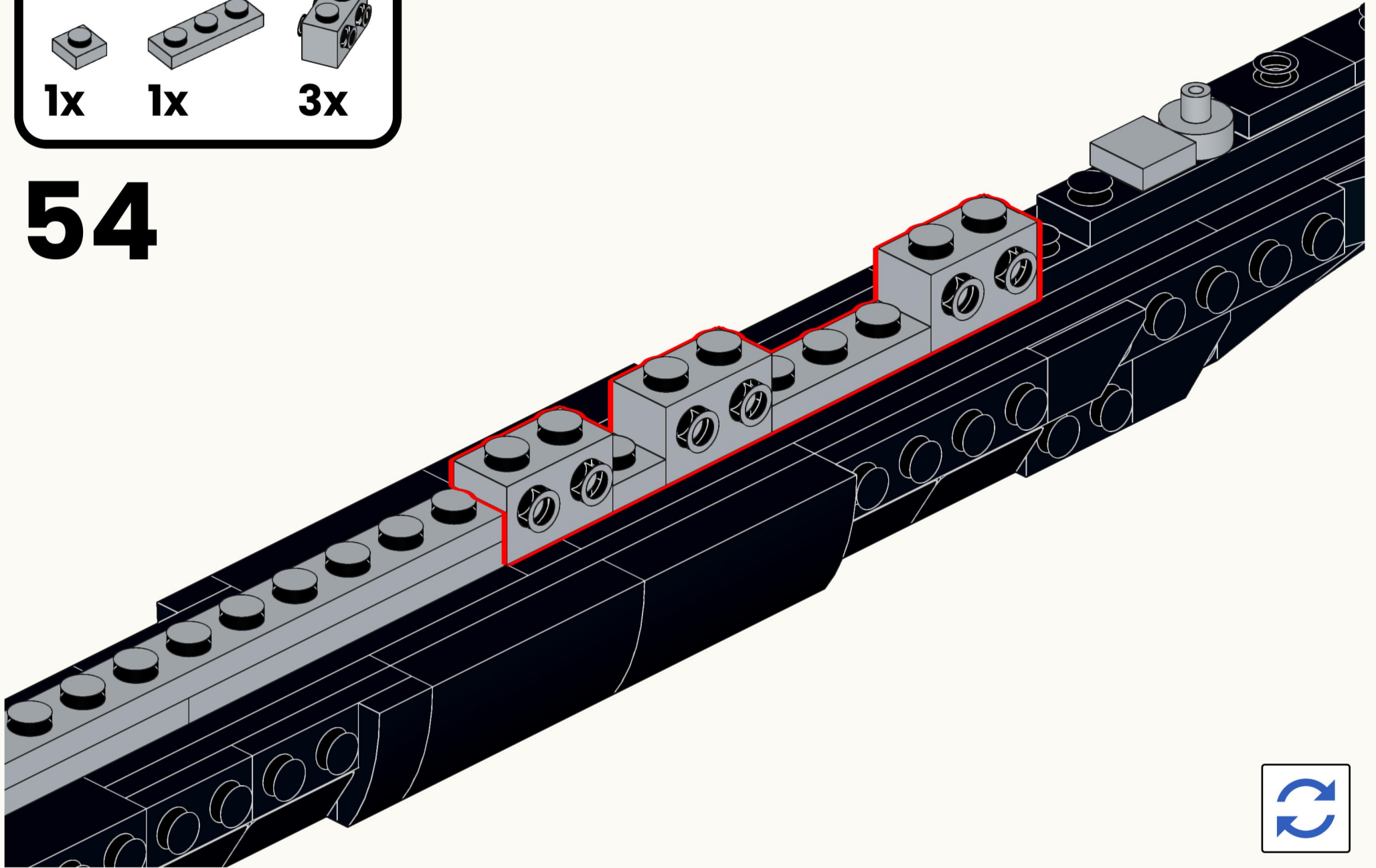


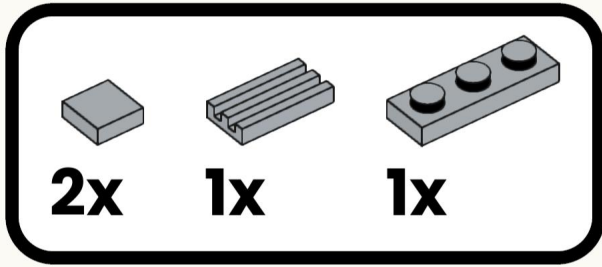
**53**



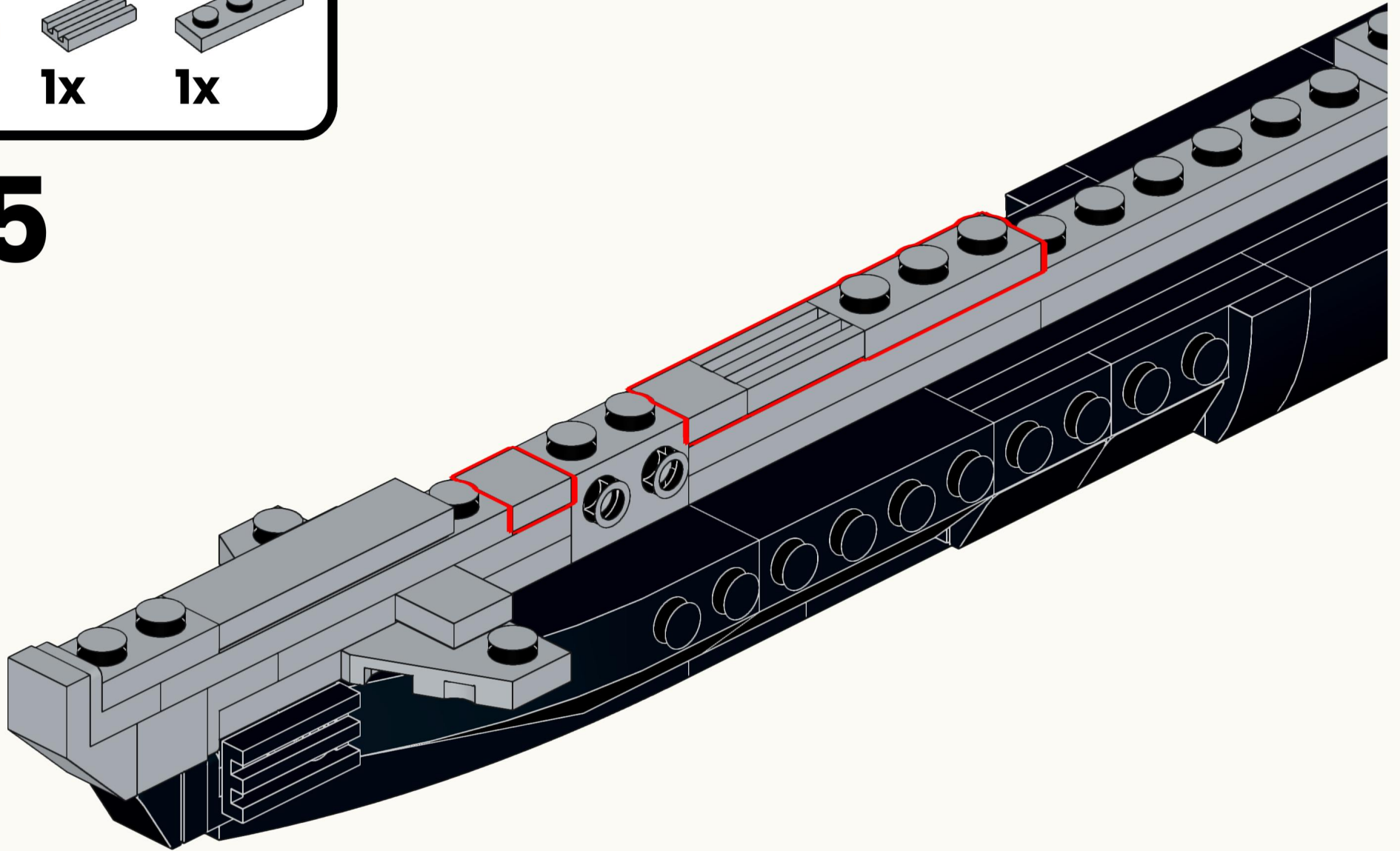


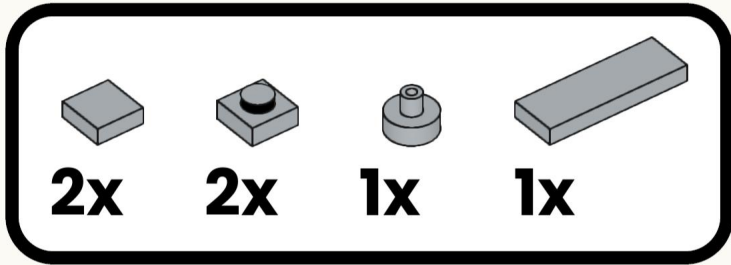
54



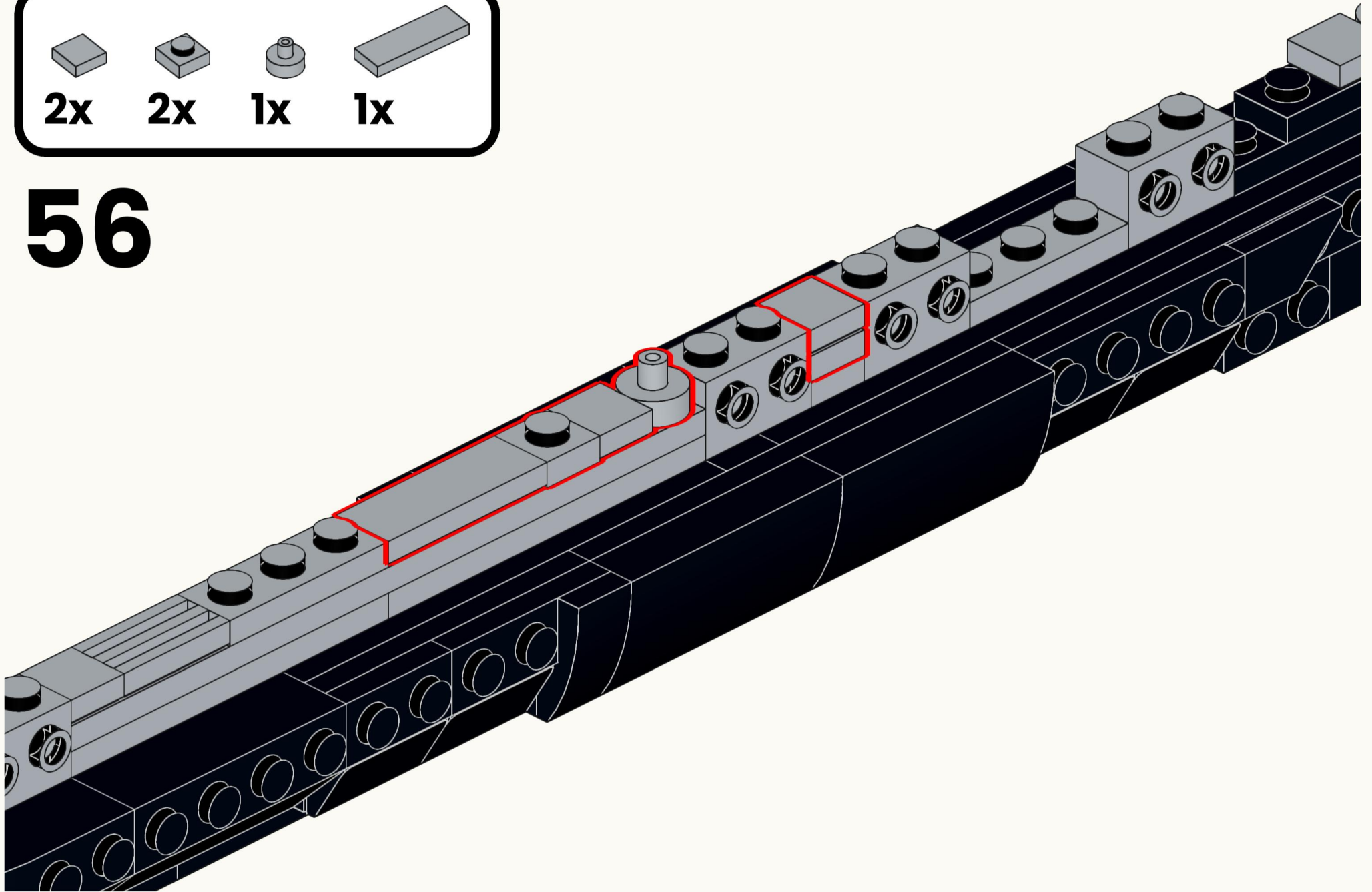


55

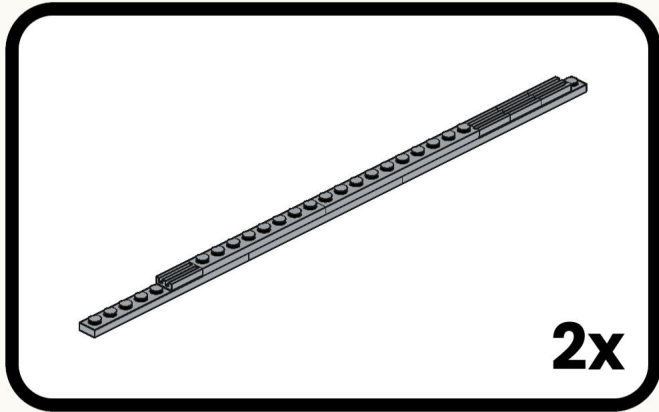
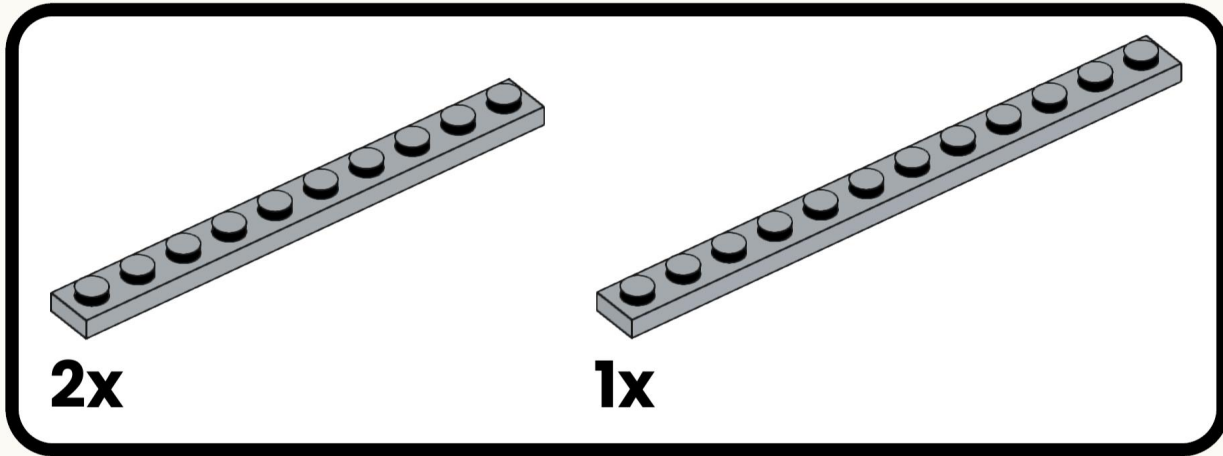




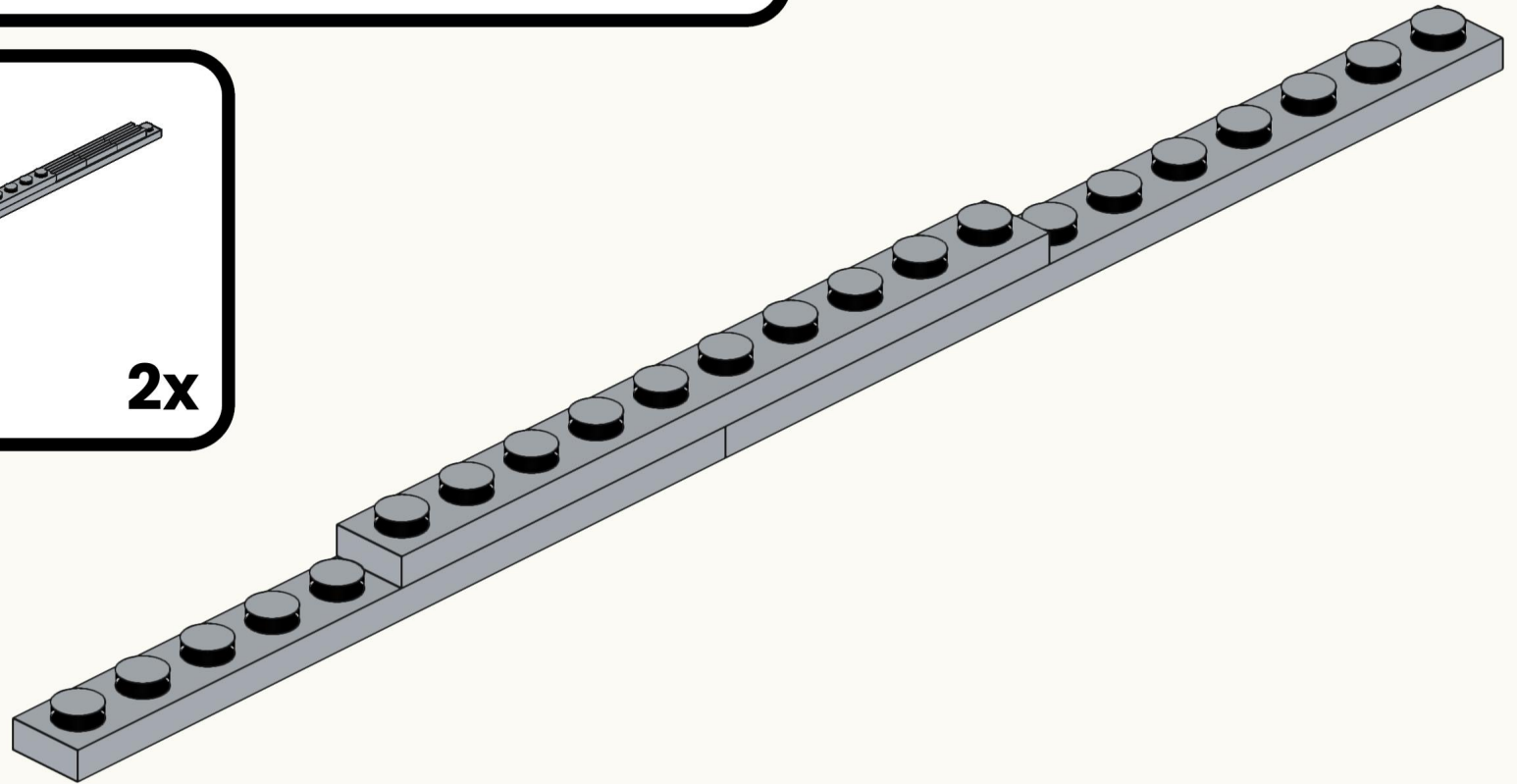
56

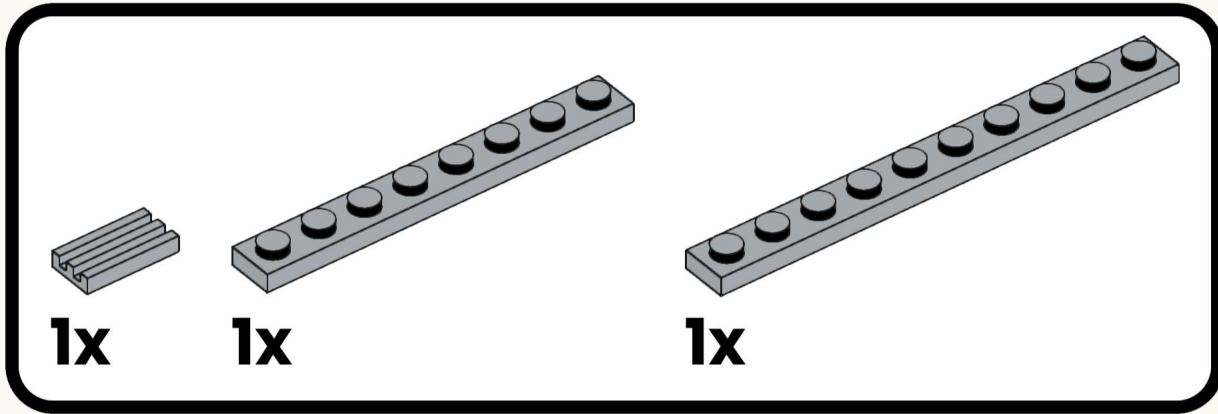




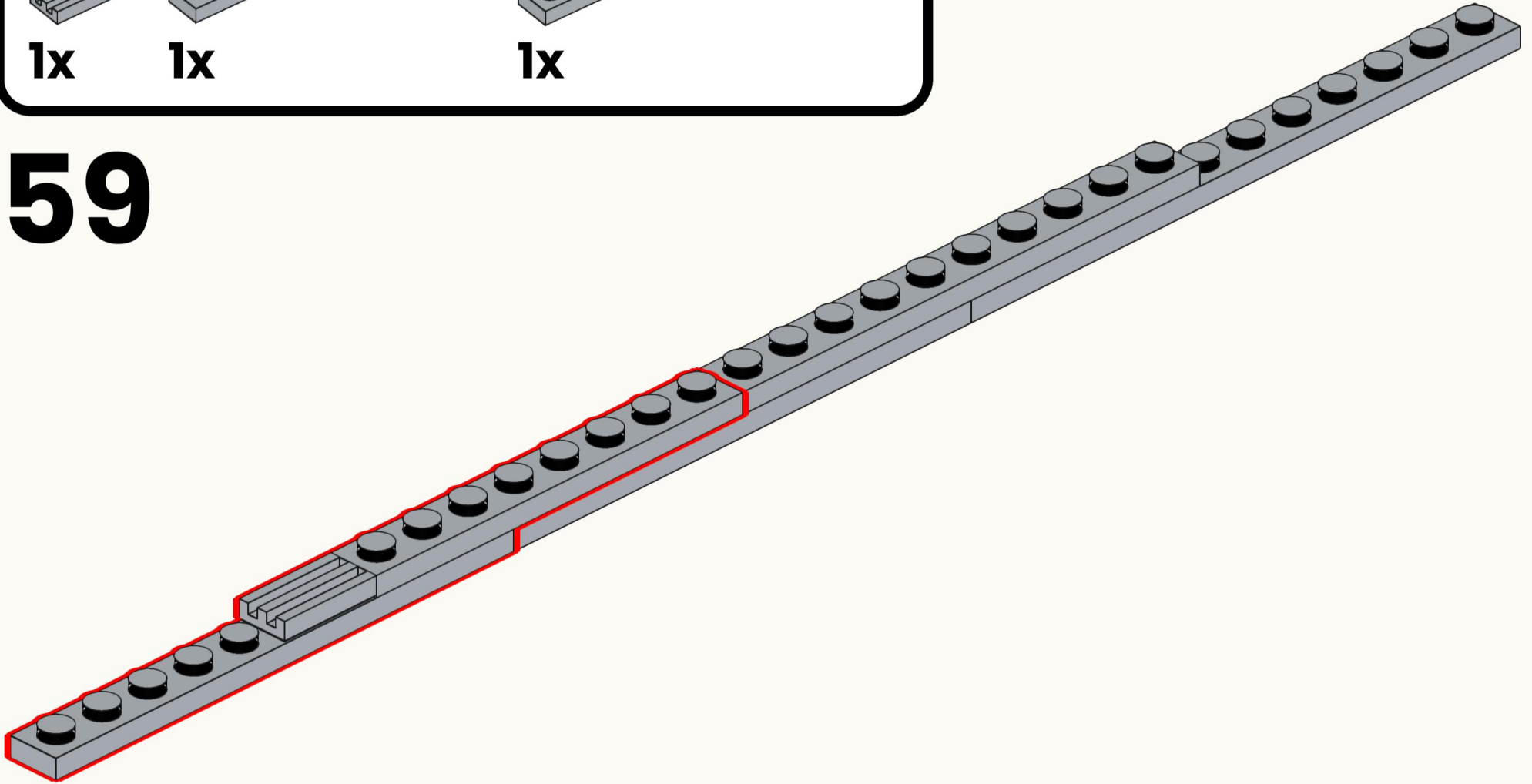


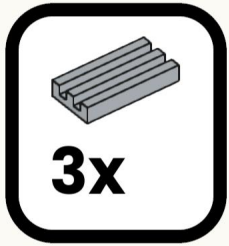
**58**





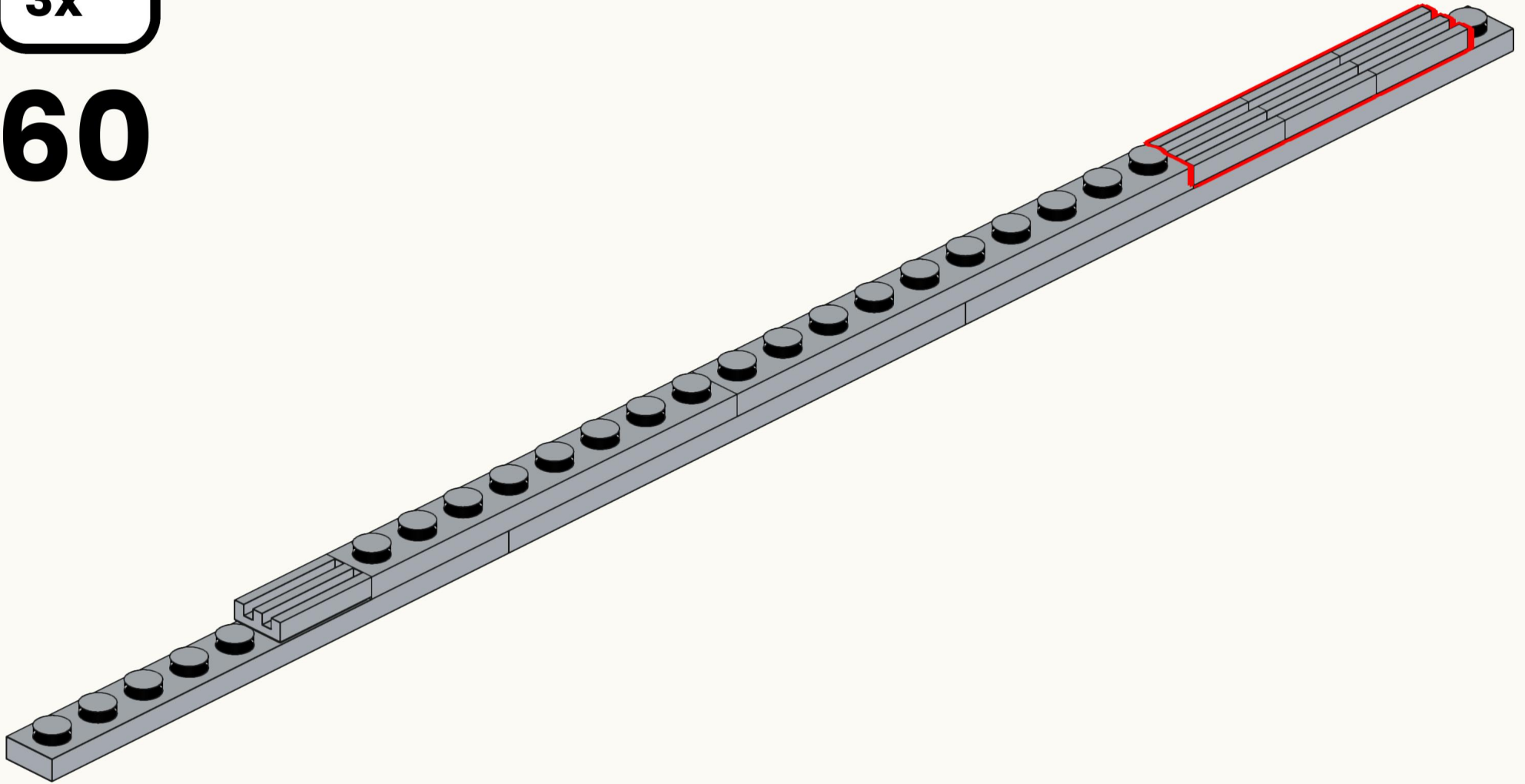
59



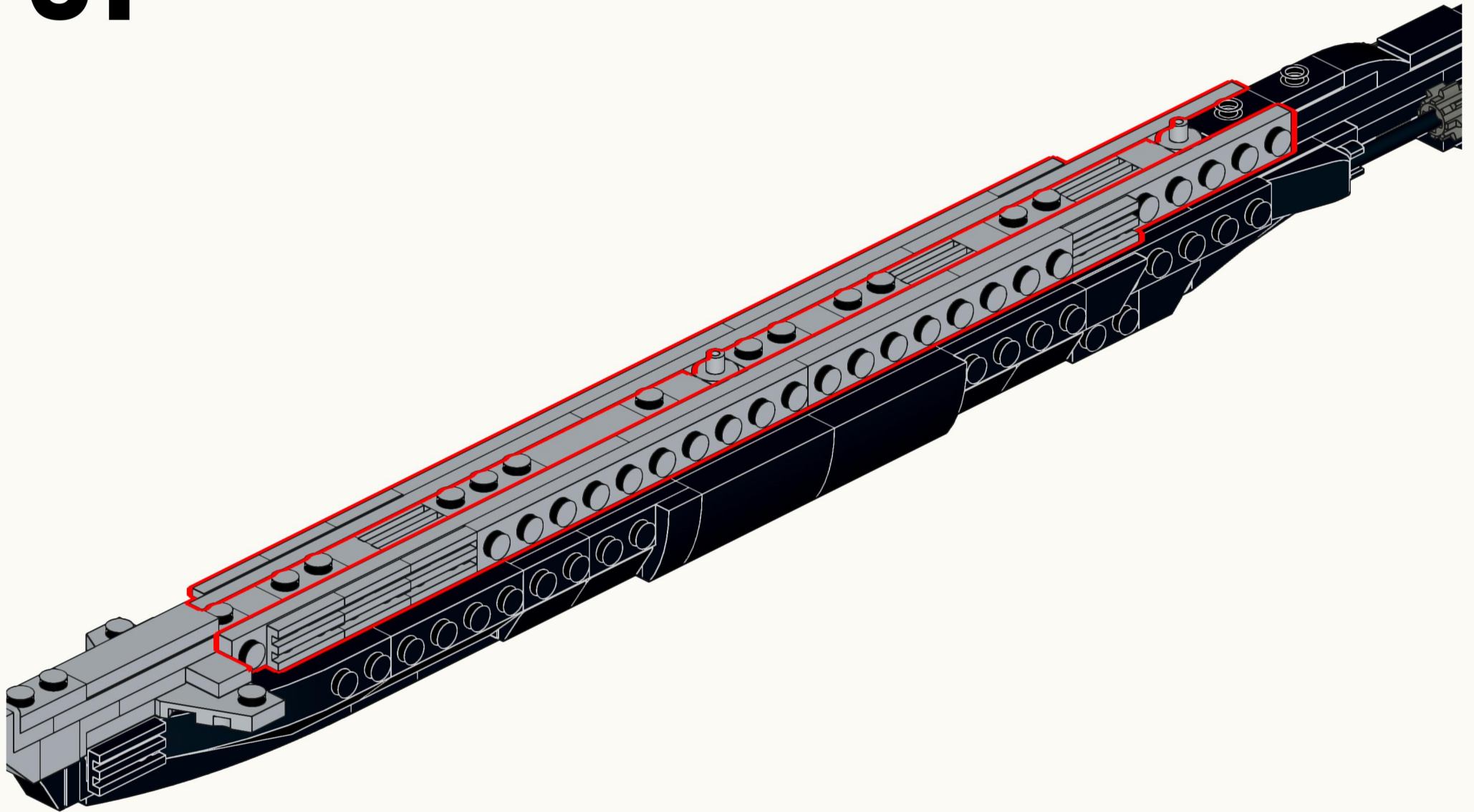


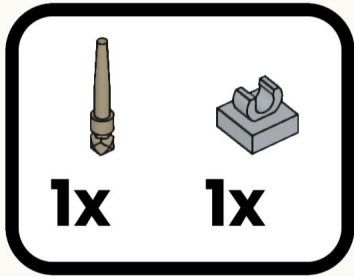
**3x**

**60**

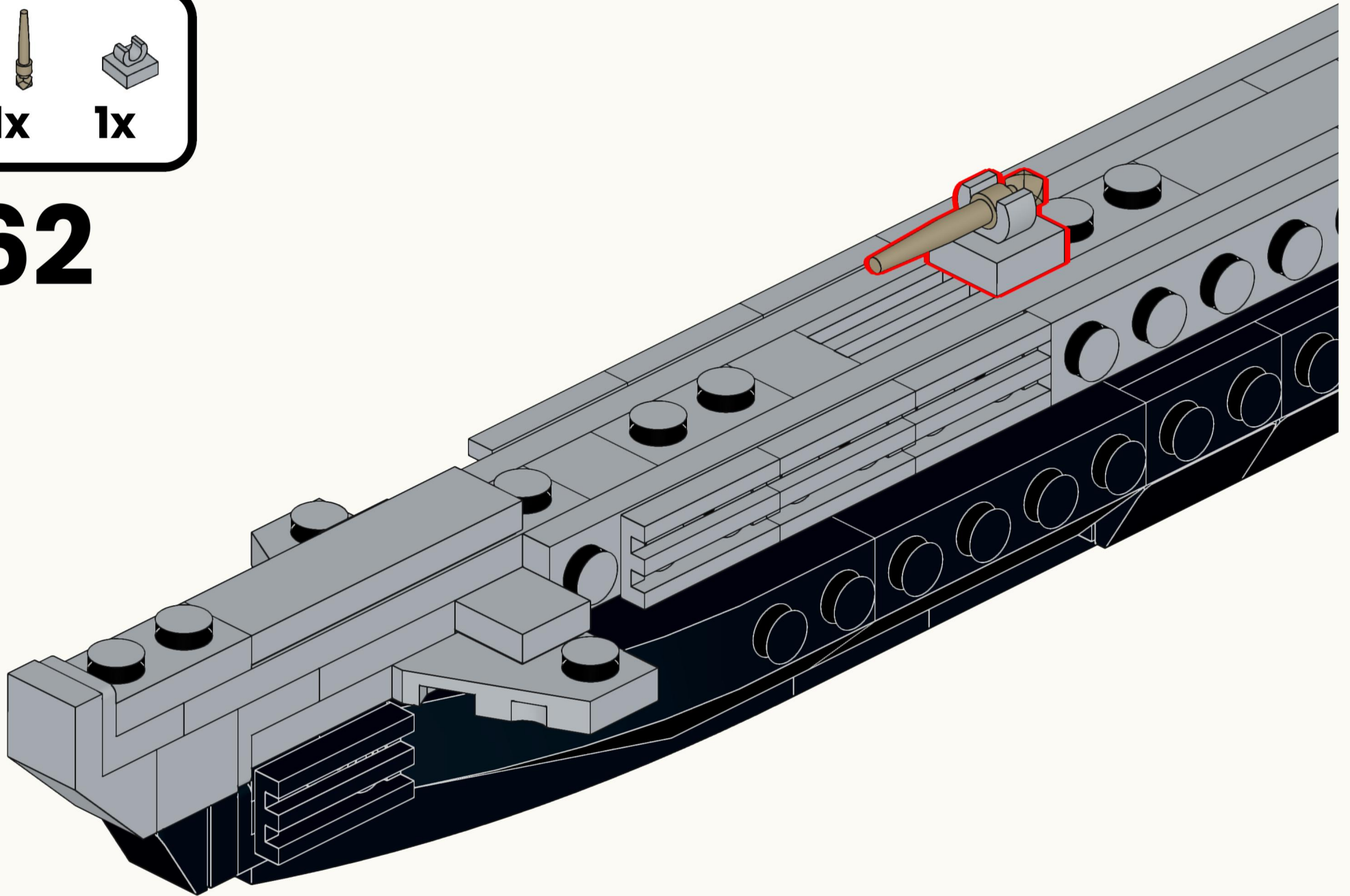


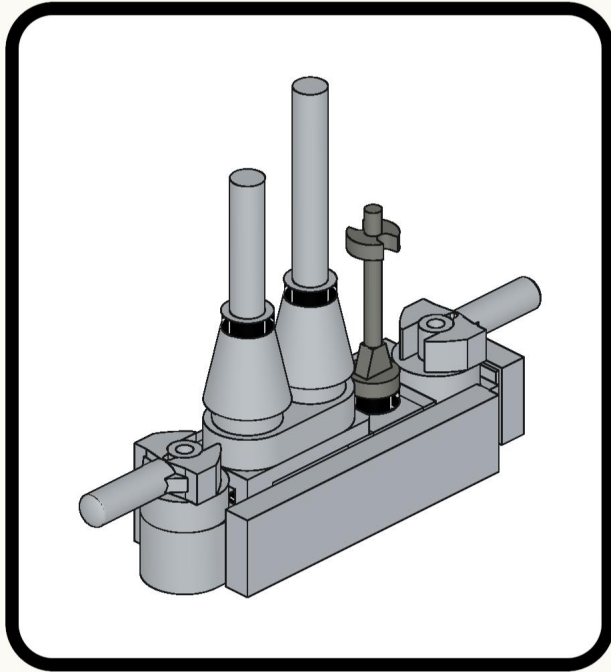
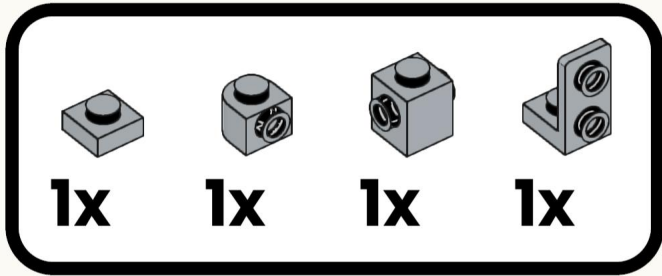
61



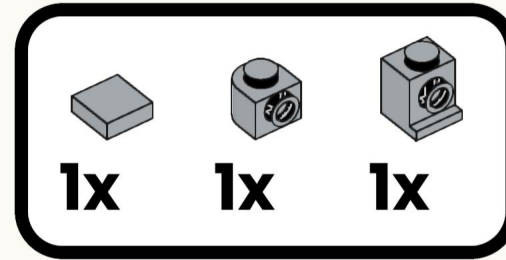


62

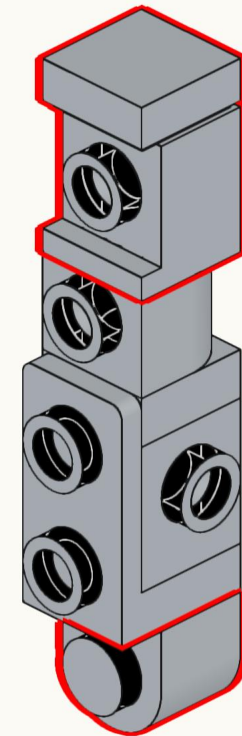
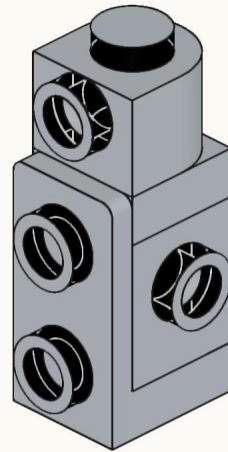


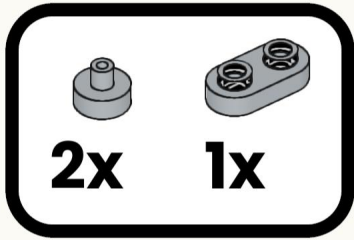


63

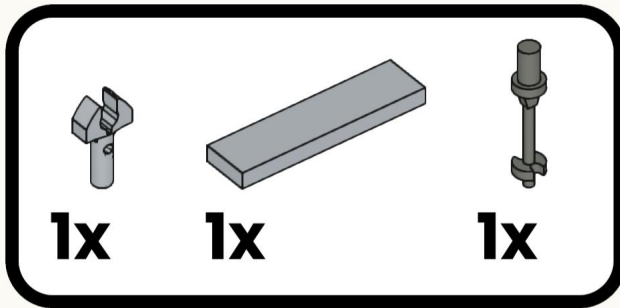
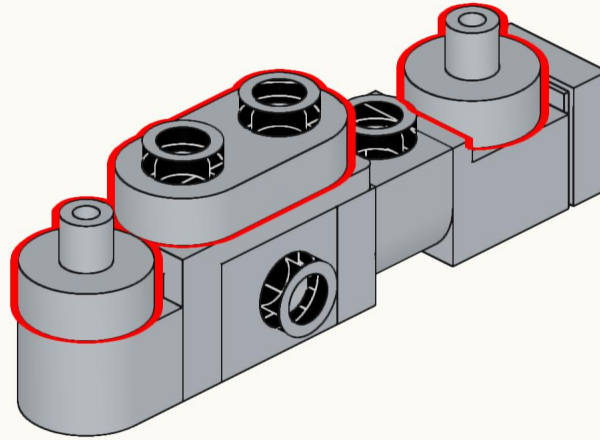


64

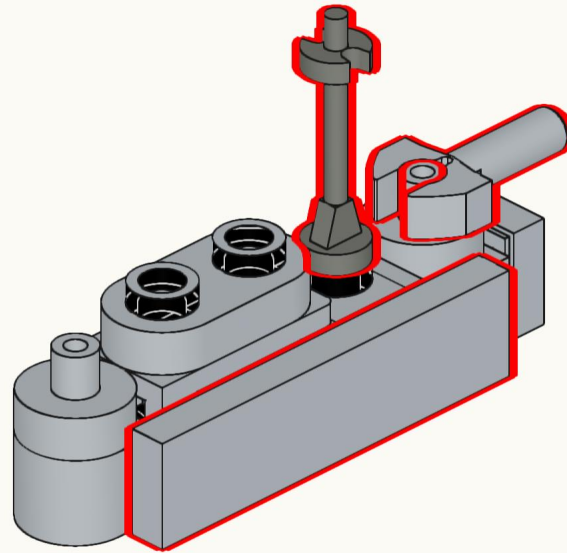


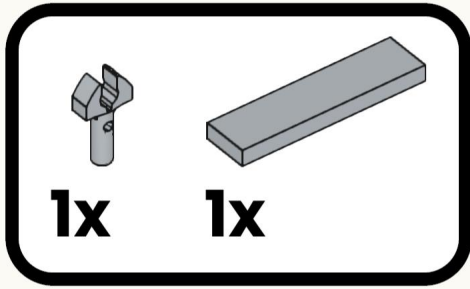


**65**

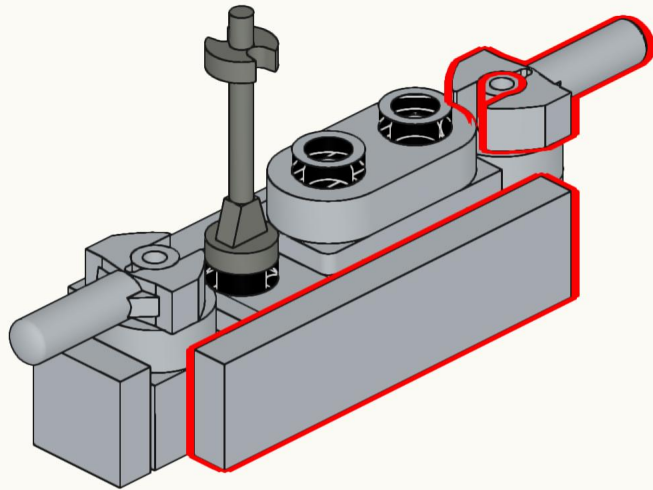


**66**

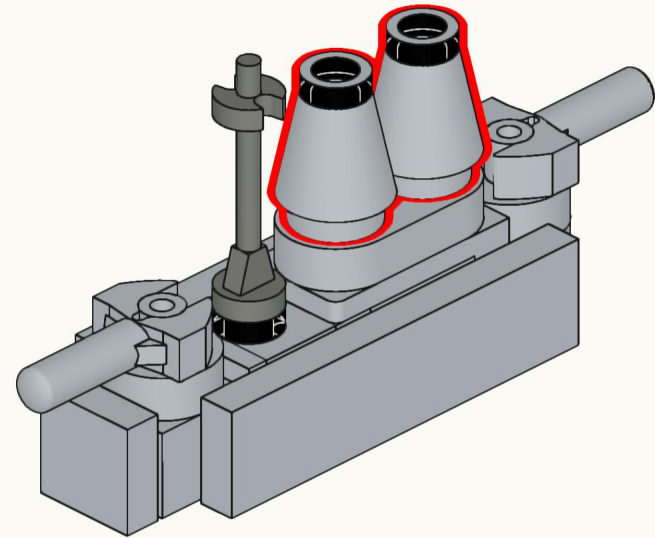


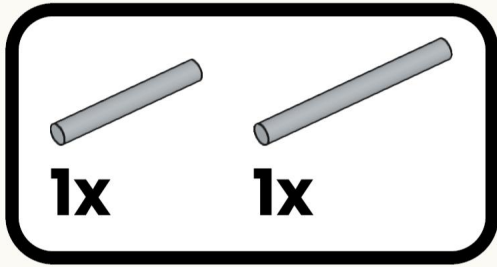


67

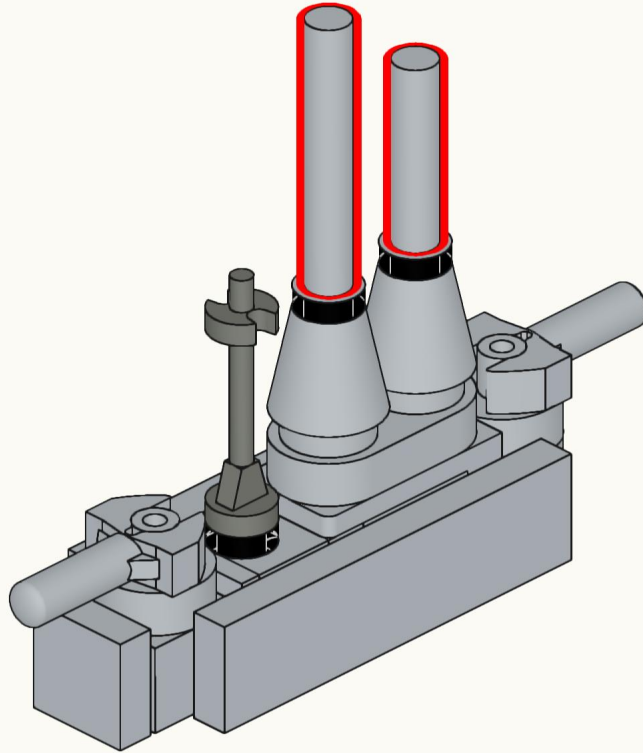


68



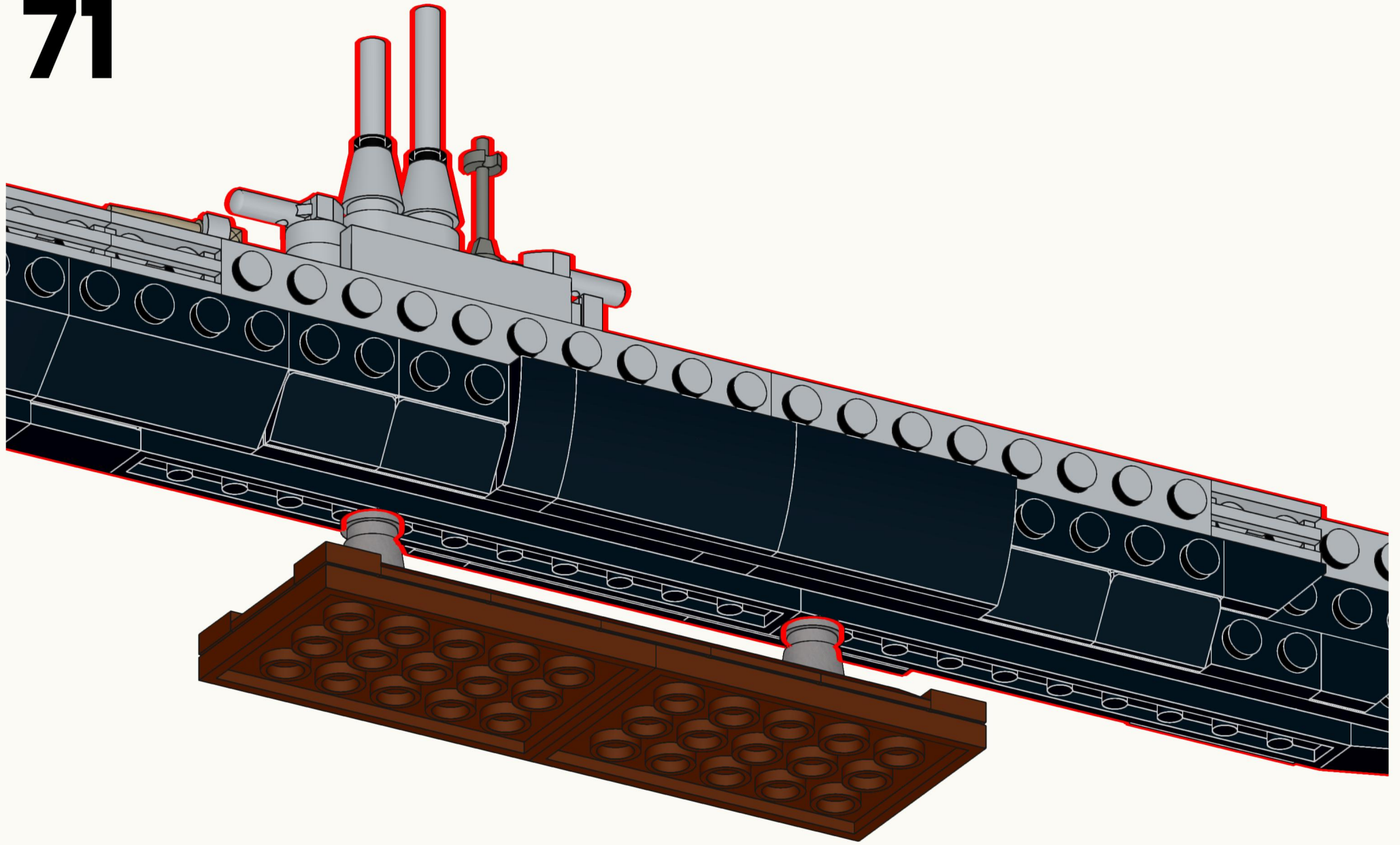


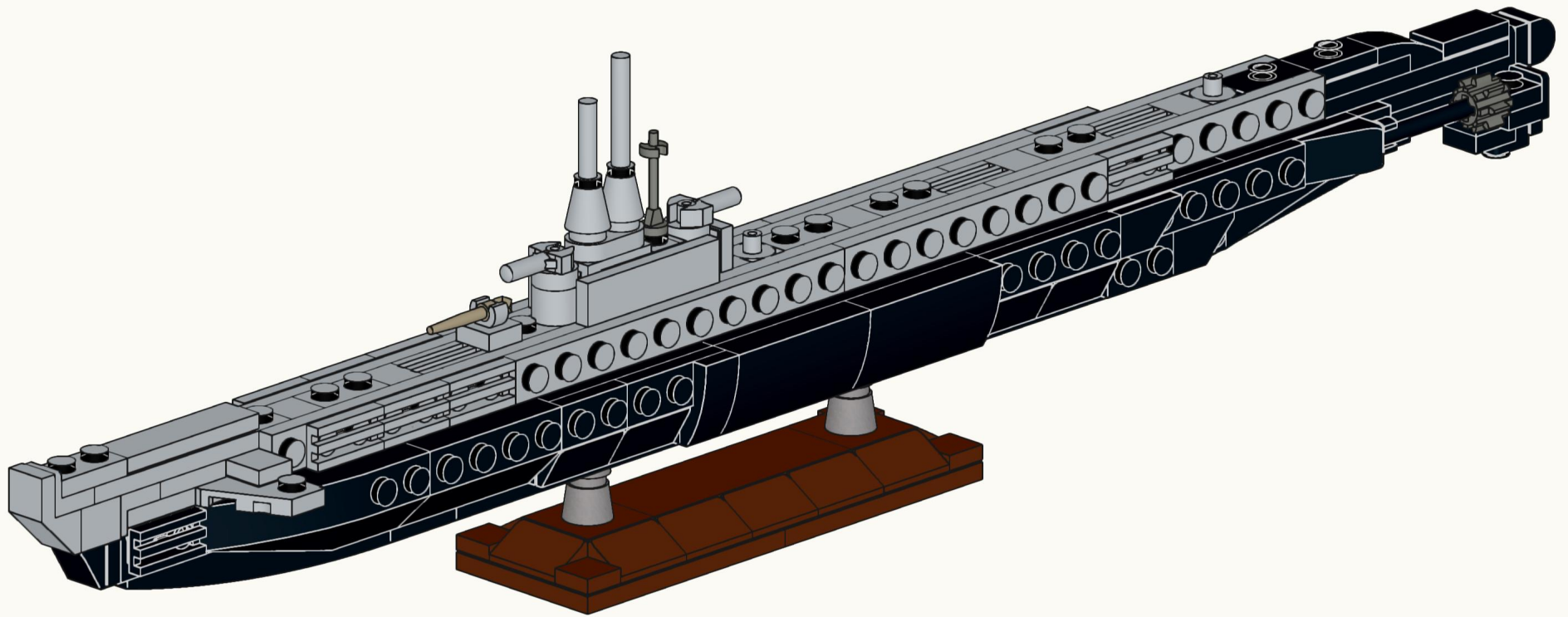
69





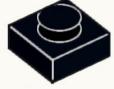
71







1x



12x



1x



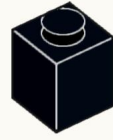
1x



2x



5x



1x



2x



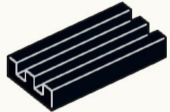
1x



2x



2x



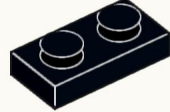
2x



2x



2x



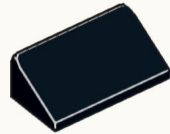
10x



2x



3x



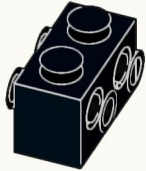
8x



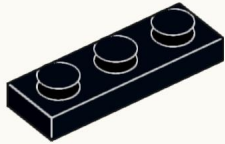
2x



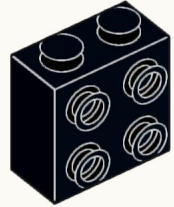
1x



3x



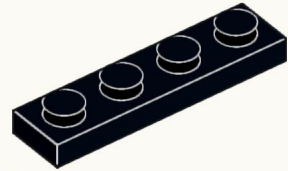
5x



9x



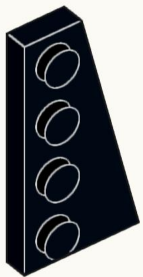
2x



3x



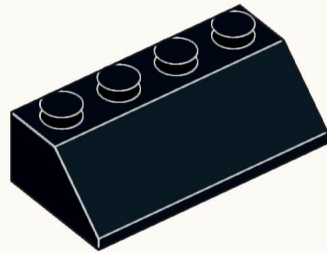
1x



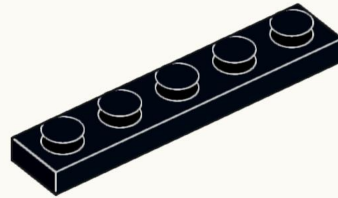
1x



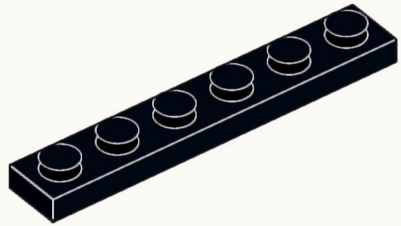
4x



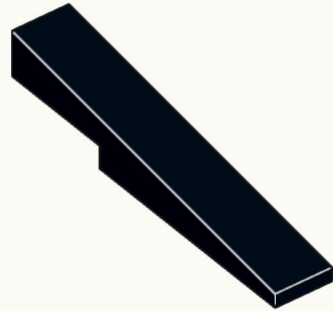
2x



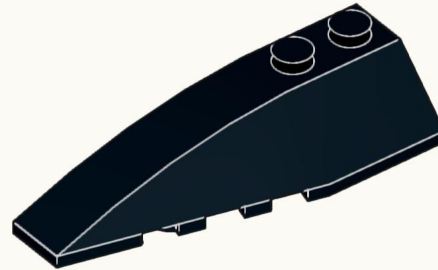
2x



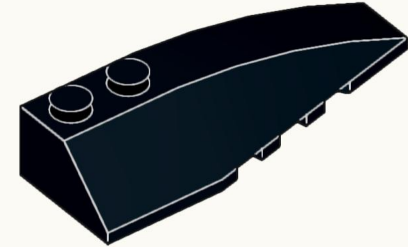
1x



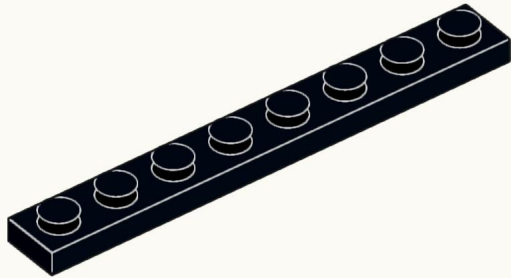
1x



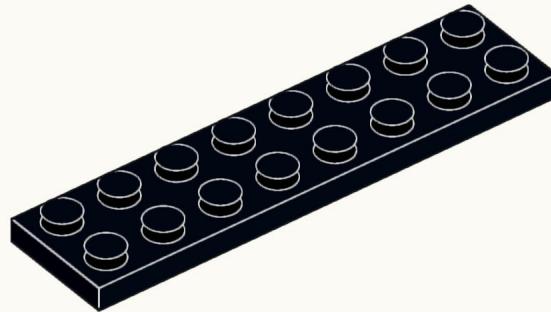
1x



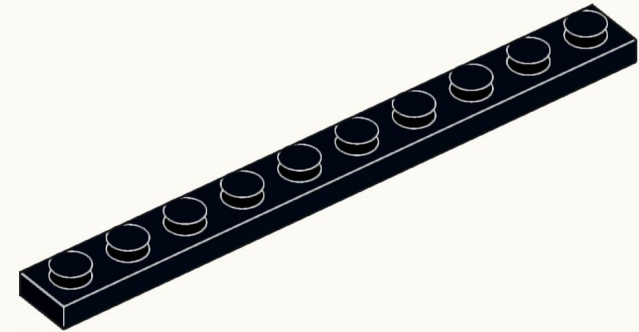
1x



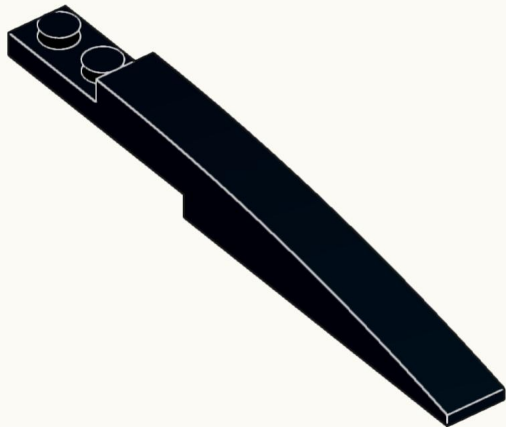
1x



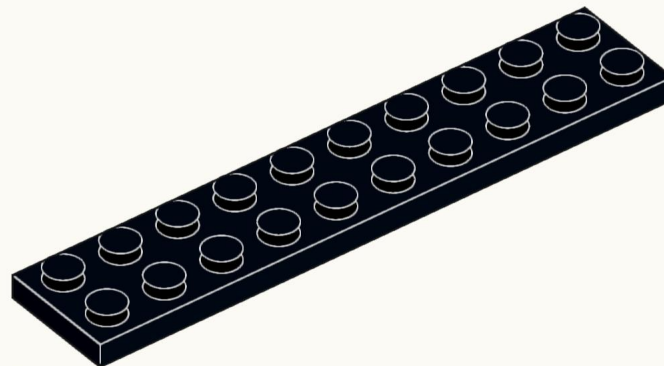
4x



3x

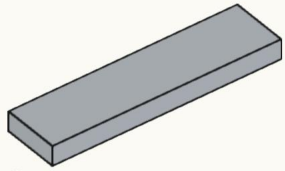


1x

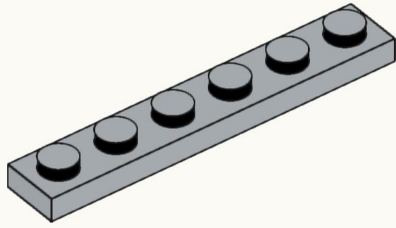


1x

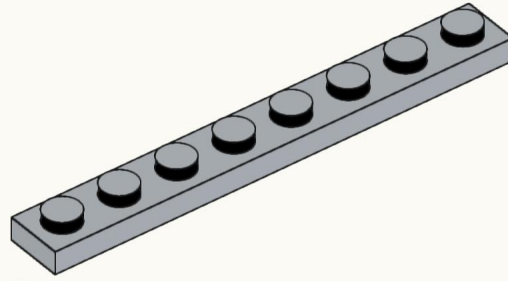




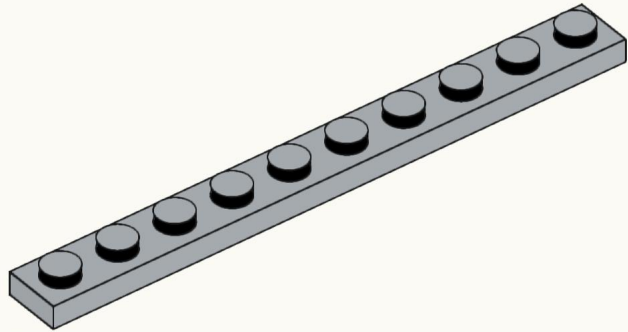
3x



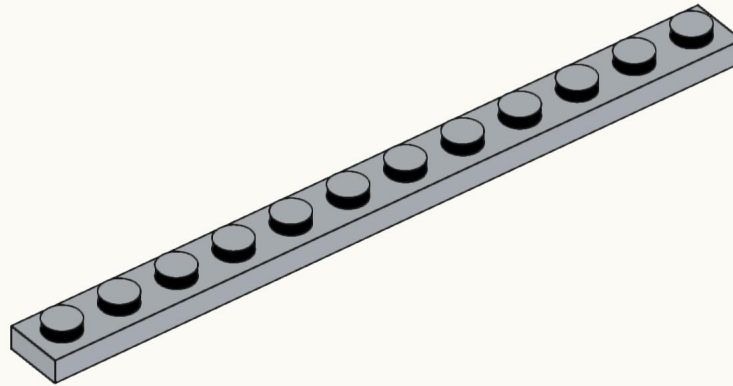
4x



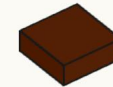
2x



6x



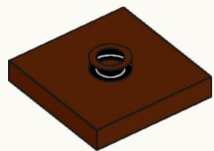
3x



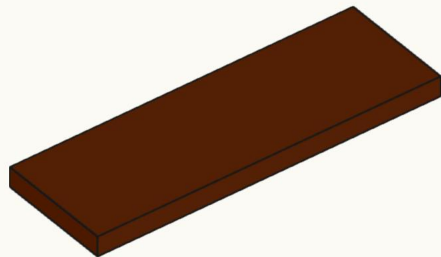
4x



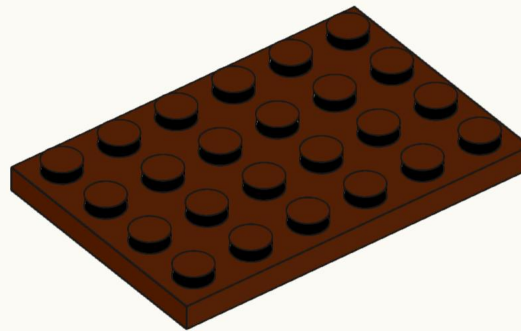
12x



2x



1x



2x



1x



2x



2x

