


The **Kamzík TV Tower**, located on Kamzík Hill in Bratislava, Slovakia, is an iconic telecommunications tower completed in 1975.

Standing at 200 meters (656 feet) tall, it serves as both a broadcasting facility and a unique architectural landmark. Designed by architects **Stanislav Májek**, **Jakub Tomašák**, and **Juraj Kozák**, the tower's distinctive triangular cross-section and futuristic design reflect the modernist style of the 1970s.

The tower houses an observation deck and a rotating restaurant, offering panoramic views of **Bratislava**, the **Danube River**, and even neighboring **Austria** and **Hungary** on clear days.

Constructed primarily from steel and reinforced concrete, it remains a functional and cultural symbol of Slovakia, combining utility with modernist elegance.

# BRATISLAVA KAMZIK TV TOWER MOC KIT

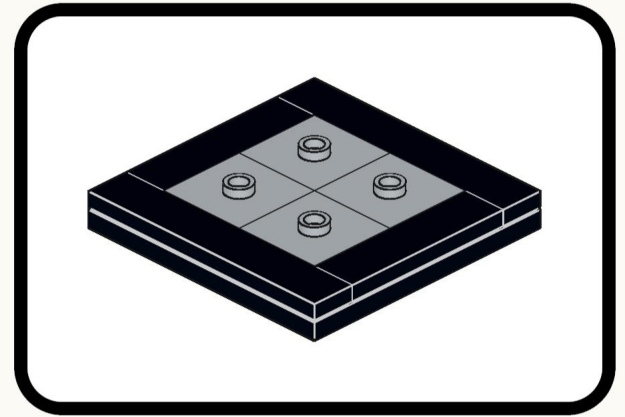
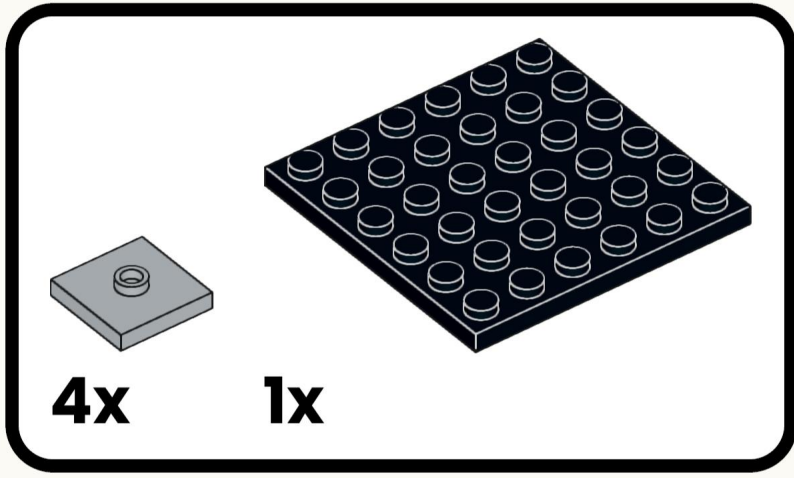
	<b>KIT GB-002</b>	<b>UNITS</b>	<b>WIDTH</b>	<b>LENGTH</b>	<b>HEIGHT</b>
	<b>1:1500 SCALE</b>	<b>STUDS</b>	<b>6.8</b>	<b>6.8</b>	<b>20.0</b>
	<b>98 PARTS</b>	<b>INCHES</b>	<b>2.1</b>	<b>2.1</b>	<b>6.3</b>
	<b>DESIGNED IN 2025</b>	<b>CENTIMETERS</b>	<b>5.5</b>	<b>5.5</b>	<b>16.0</b>



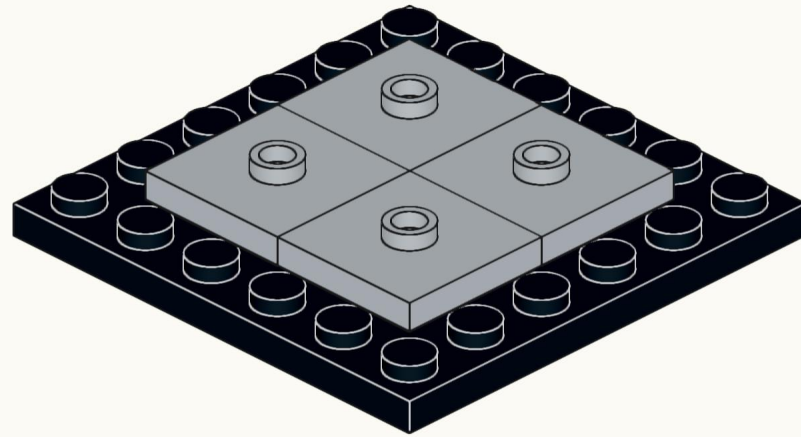
This My Own Creation (MOC) is an original design by The Bobby Brix Channel.

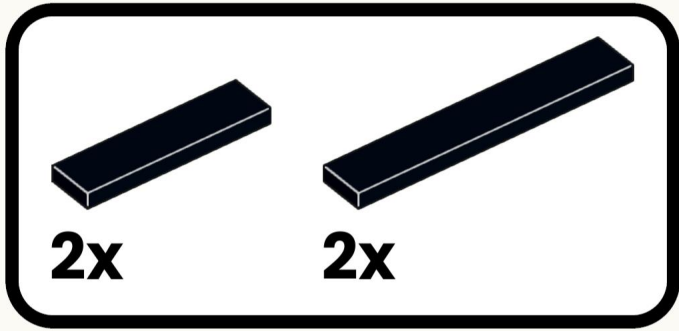
- **Usage:** For personal and non-commercial use only. Redistribution or reselling without permission is prohibited.
- **Attribution:** You may reuse, remix, or adapt this product with proper credit to the creator and original design.
- **Ownership:** All designs, images, and materials are owned by The Bobby Brix Channel unless stated otherwise.

For inquiries about public display, commercial use, or resale, please contact The Bobby Brix Channel.  
For complete terms, visit: [bobbybrix.com/terms-and-conditions/](https://bobbybrix.com/terms-and-conditions/) or scan the QR Code.

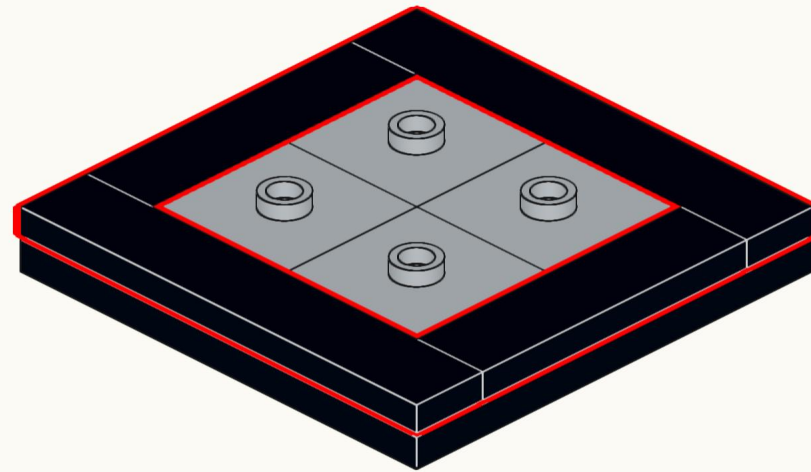


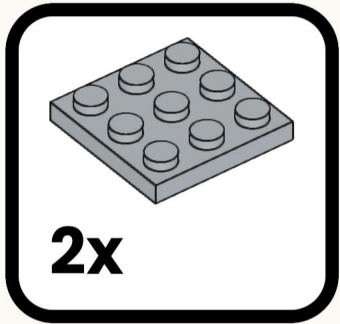
1



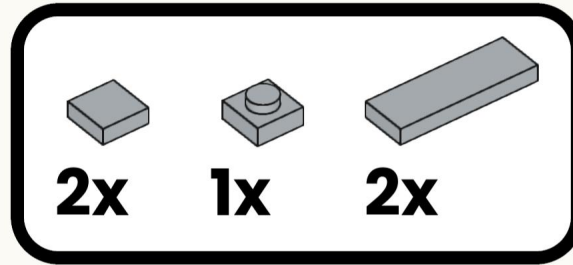
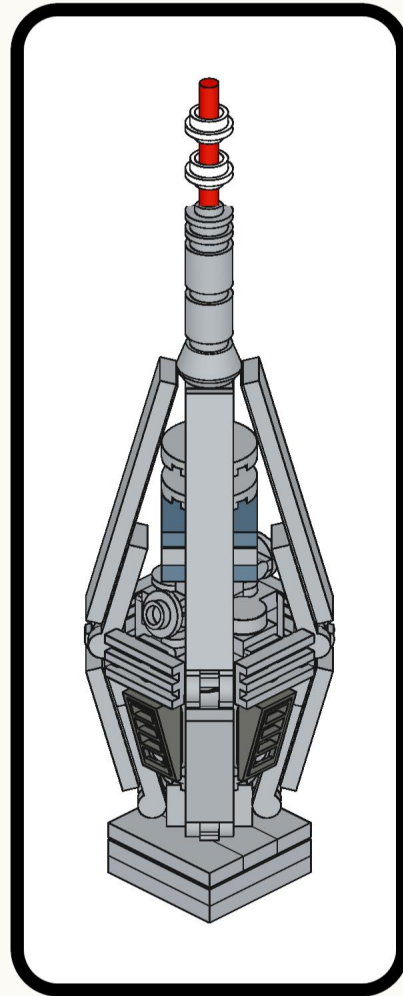
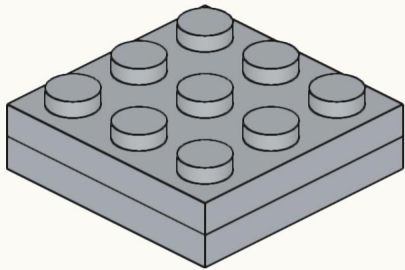


2

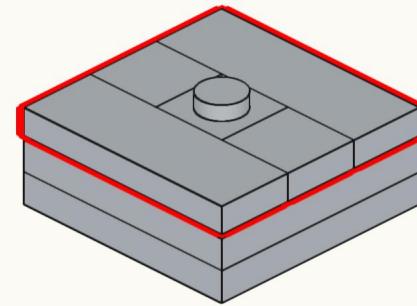


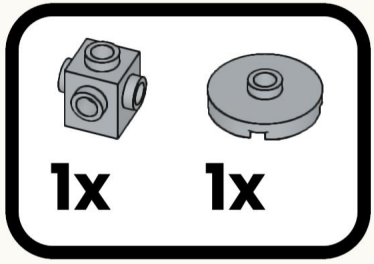


3

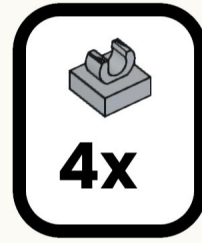
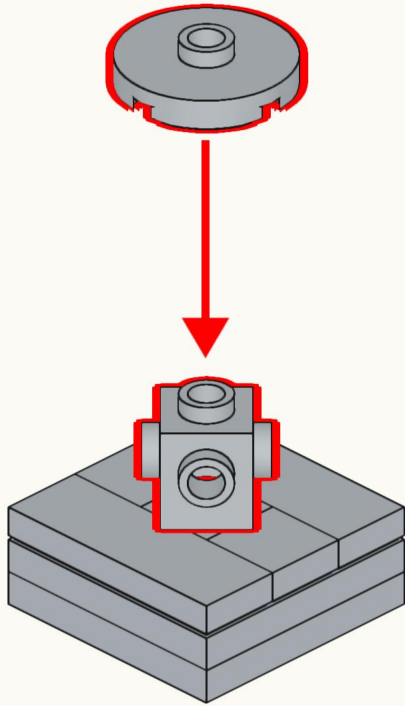


4

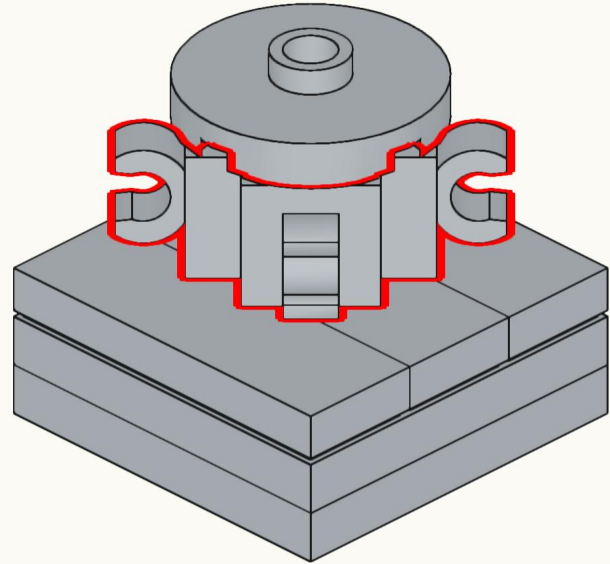


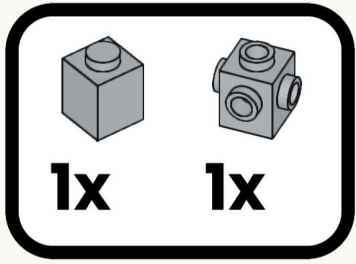


5

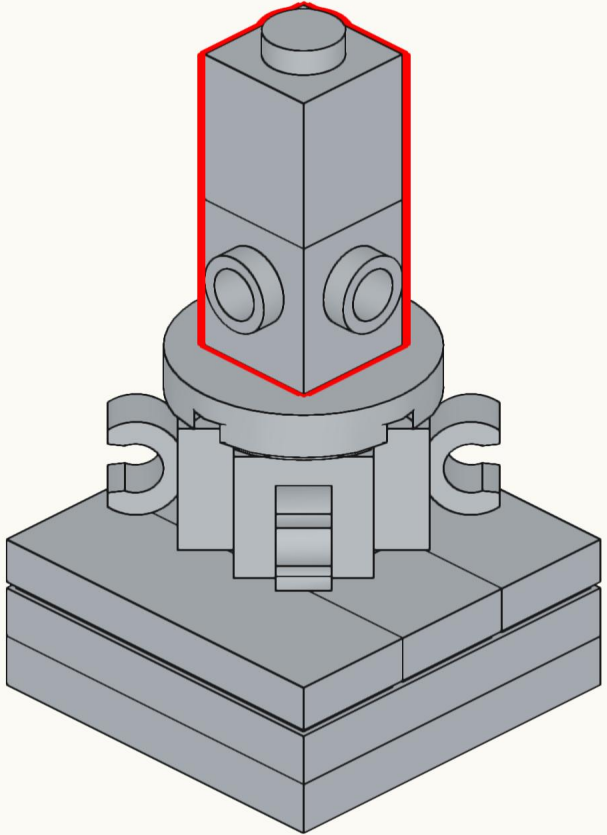


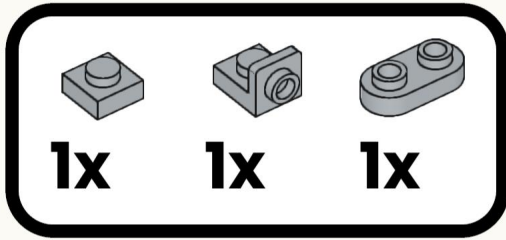
6



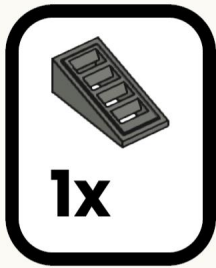
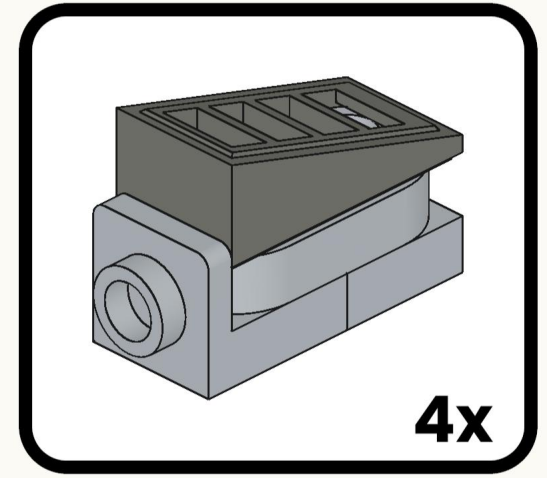
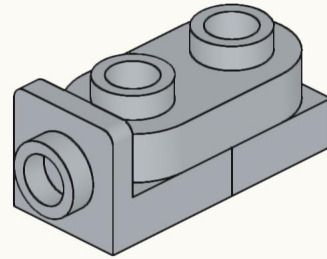


7

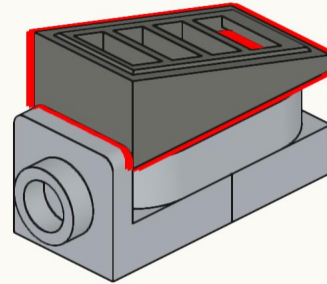




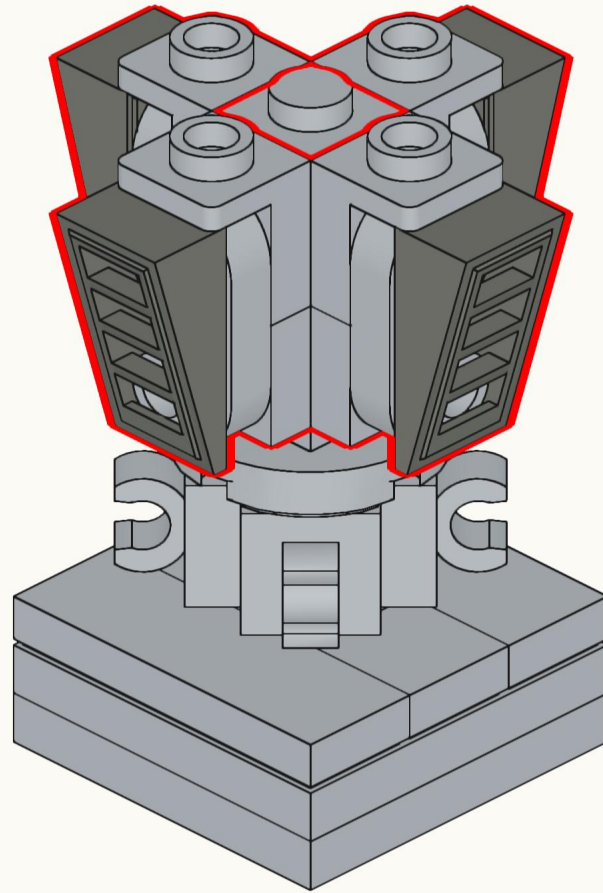
8

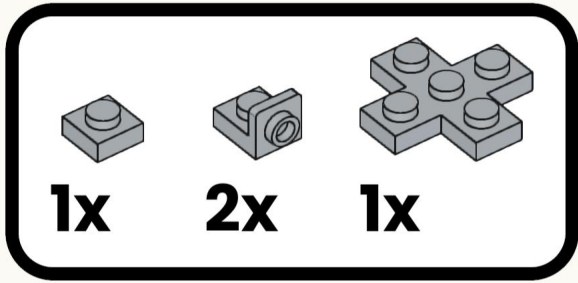


9

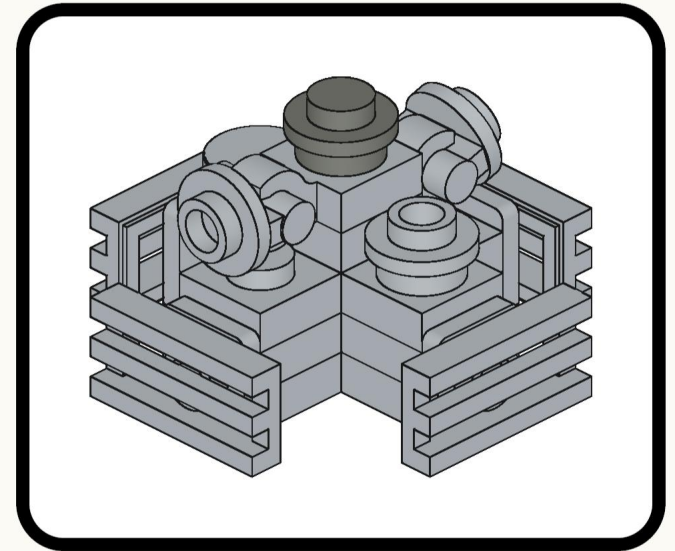
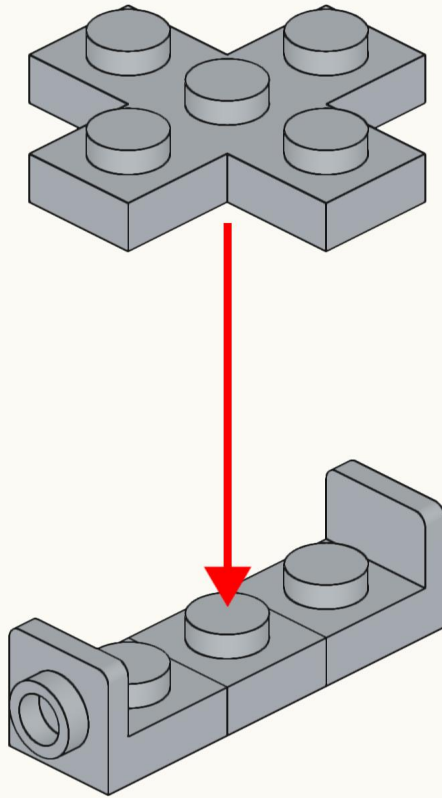


# 10



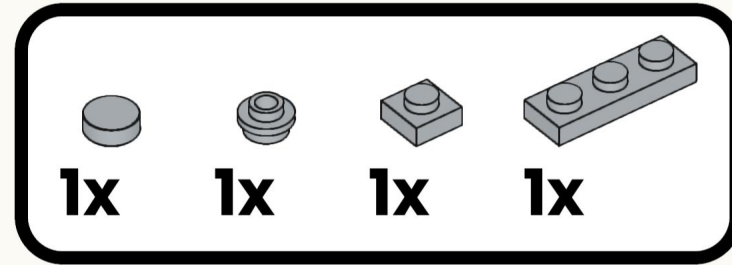
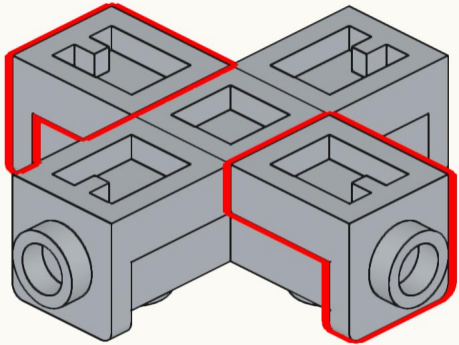


11

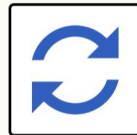
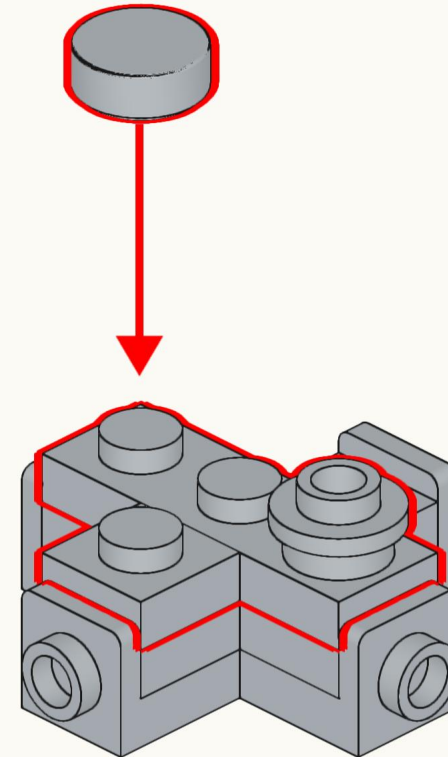


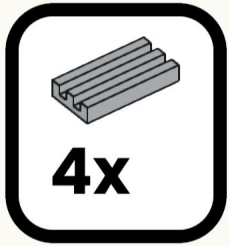


12

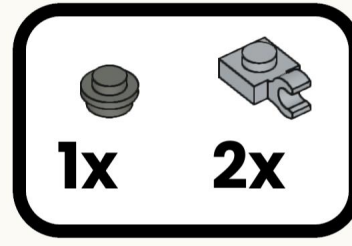
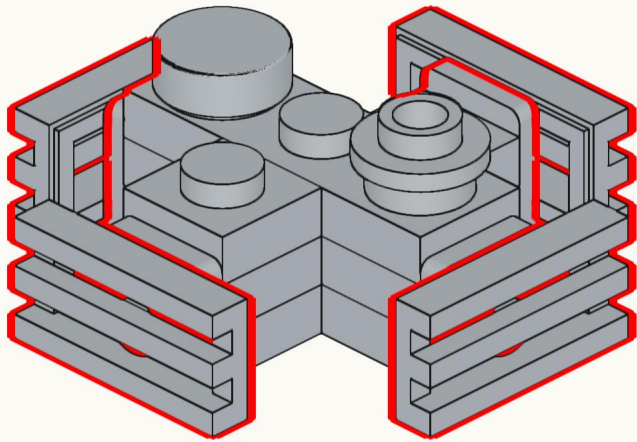


13

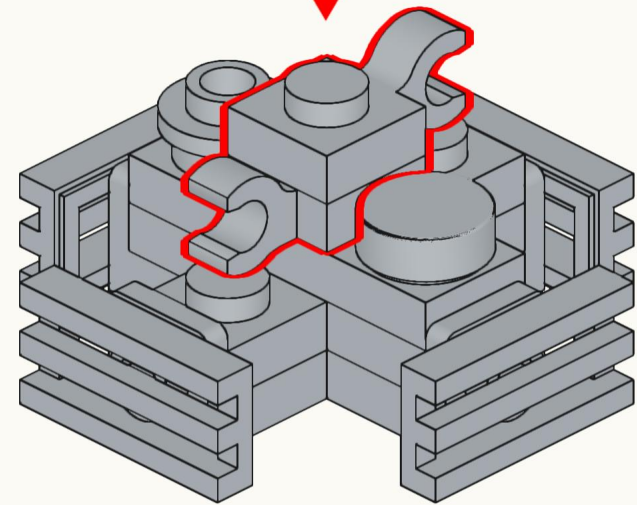
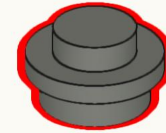




**14**

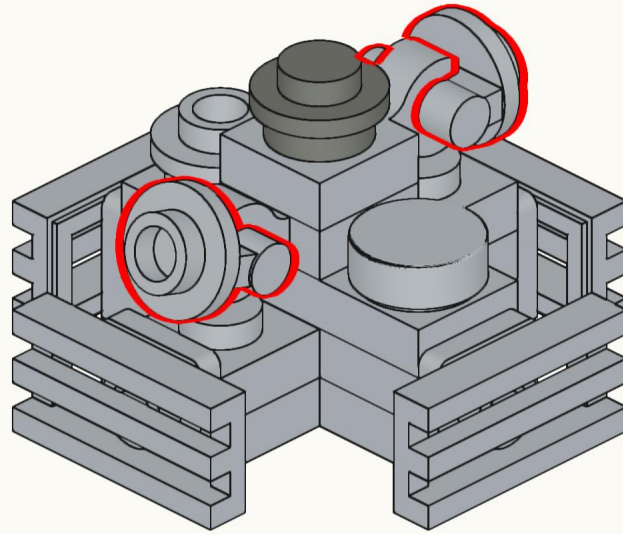


**15**

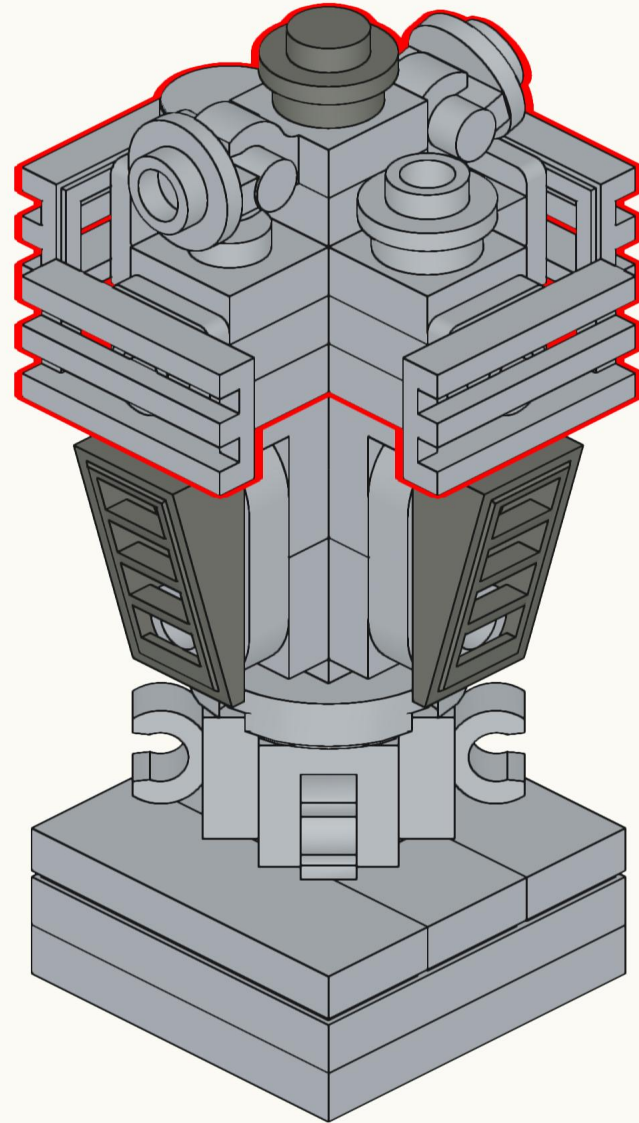


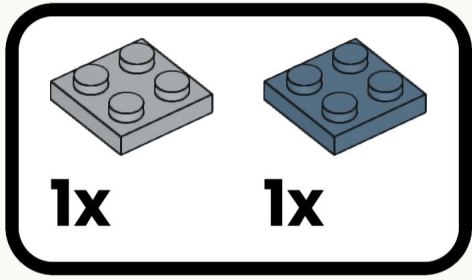


16

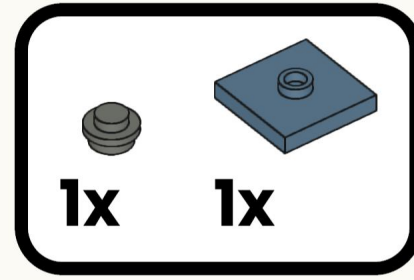


17

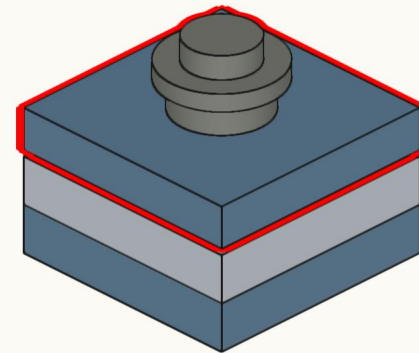
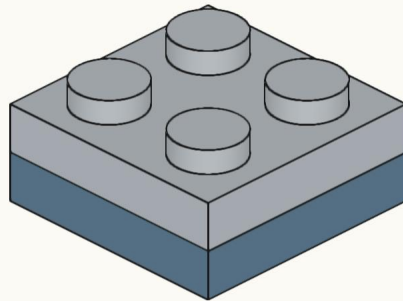
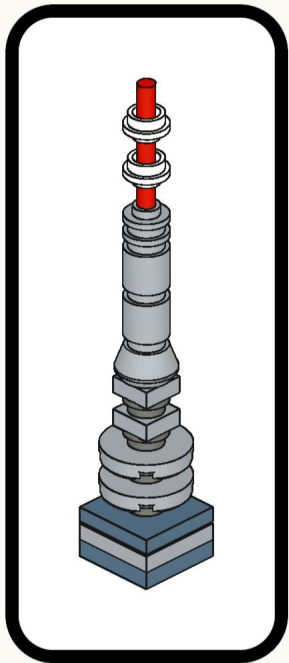


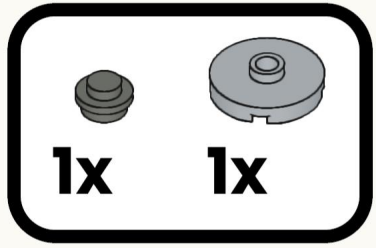


18

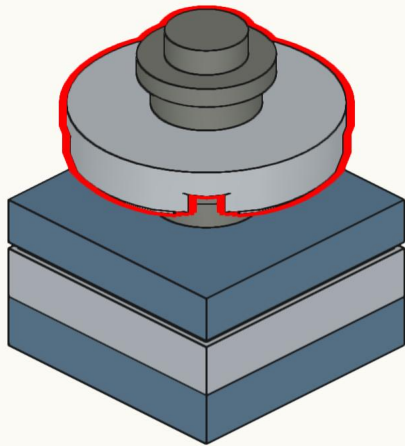


19

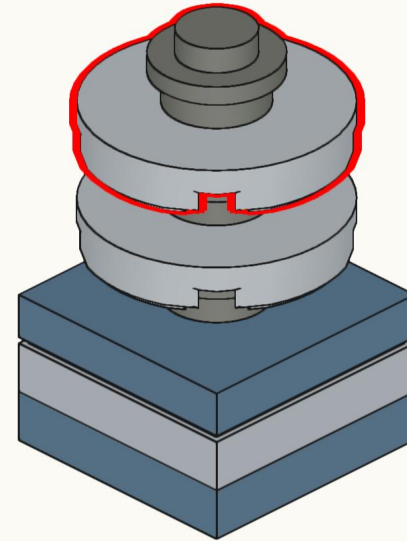
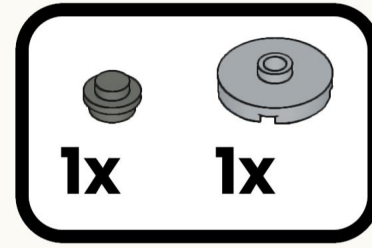


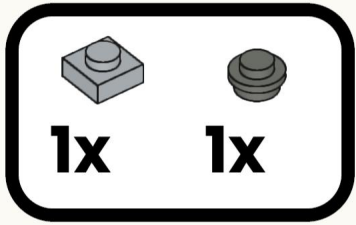


20

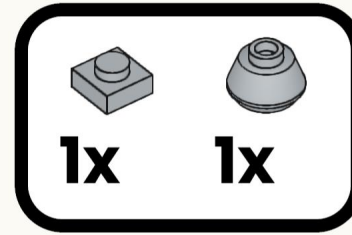
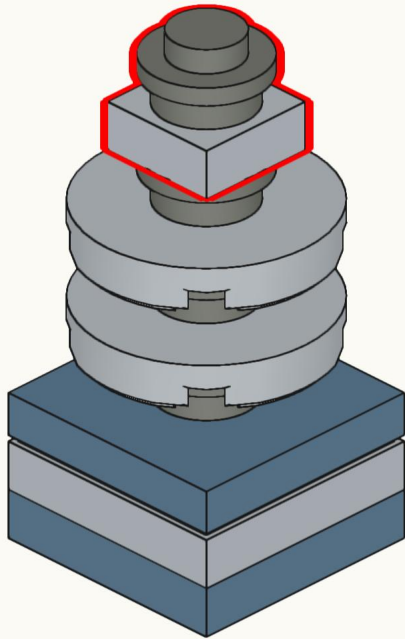


21

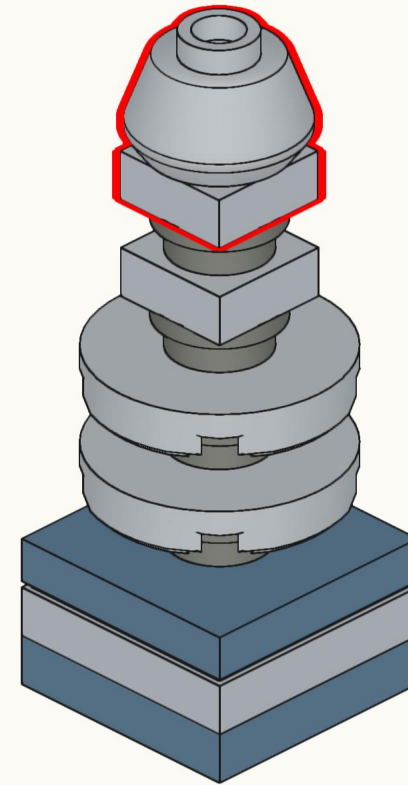




22

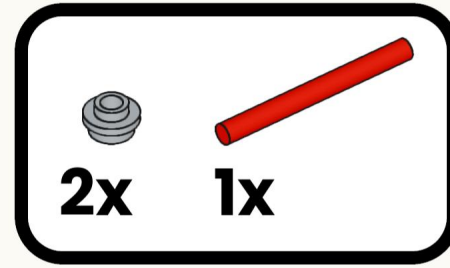
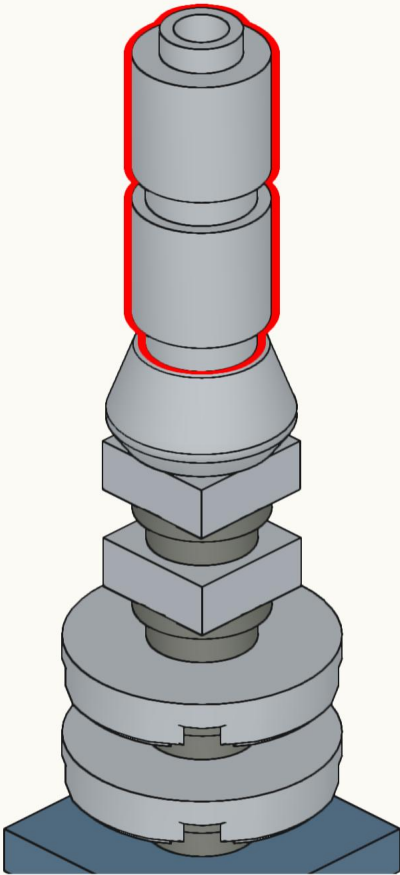


23

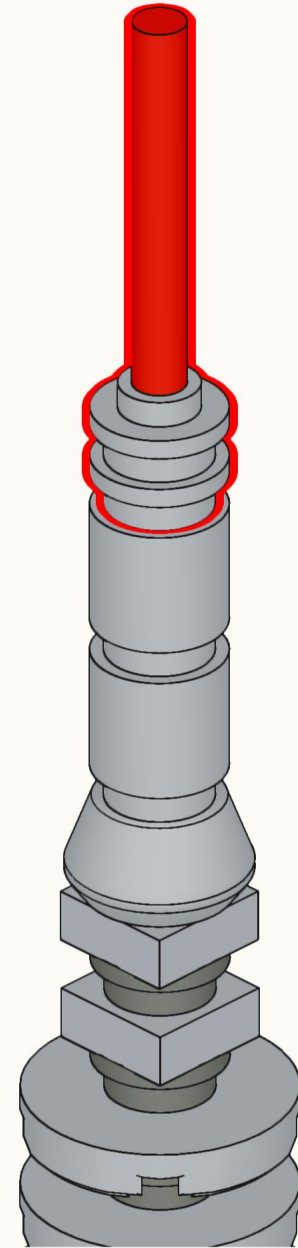




**24**

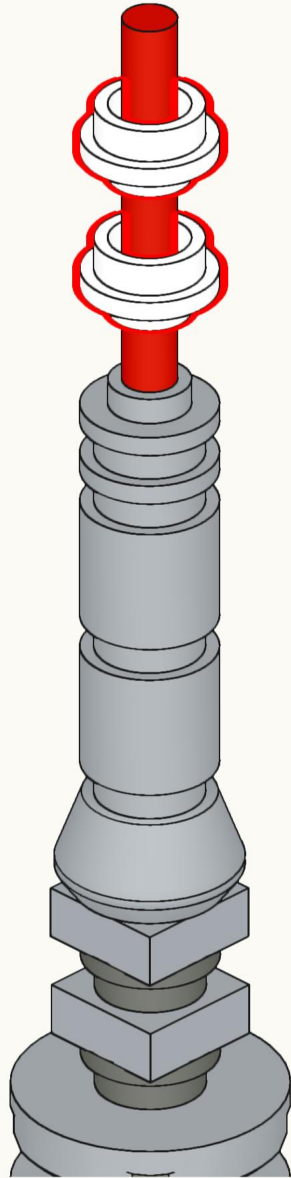


**25**

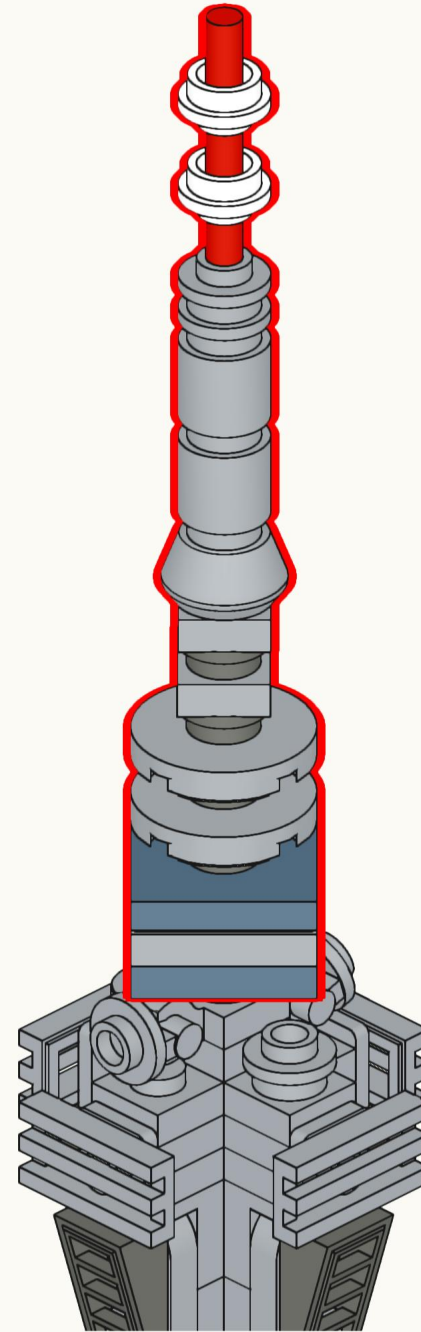


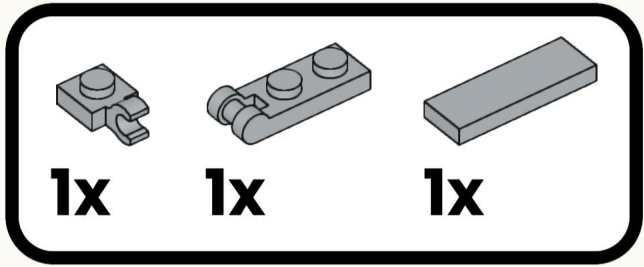


**26**

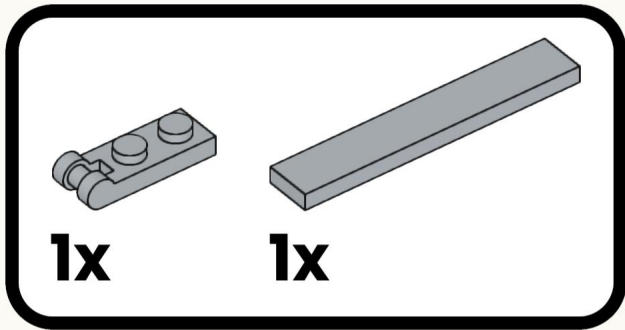
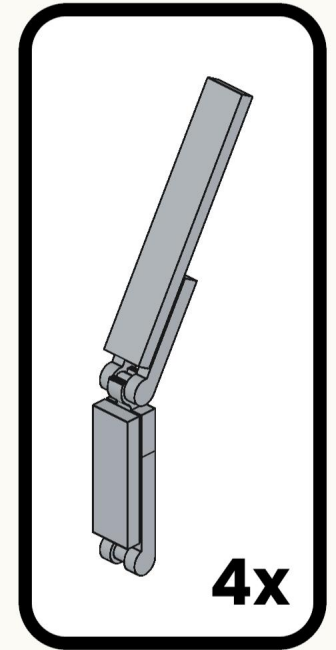
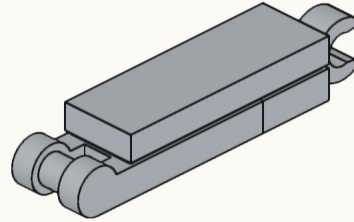


**27**

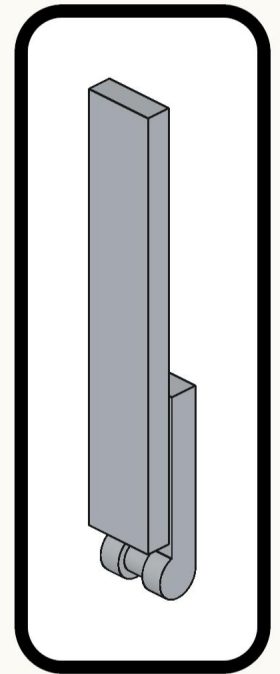
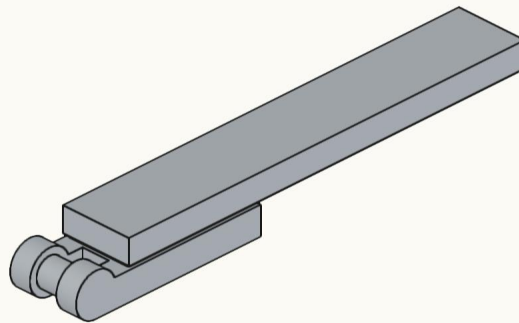




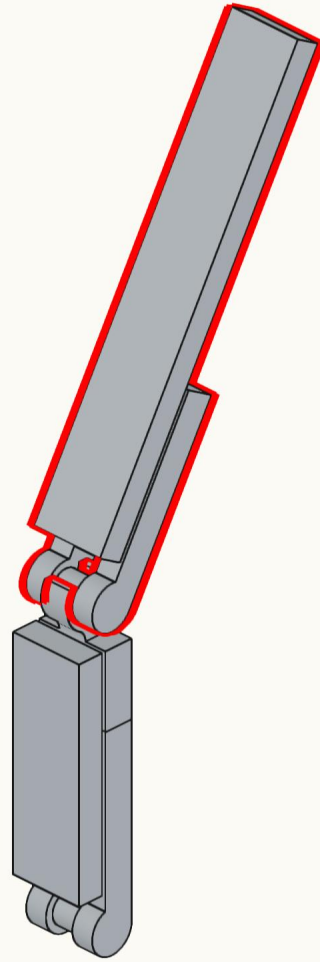
**28**



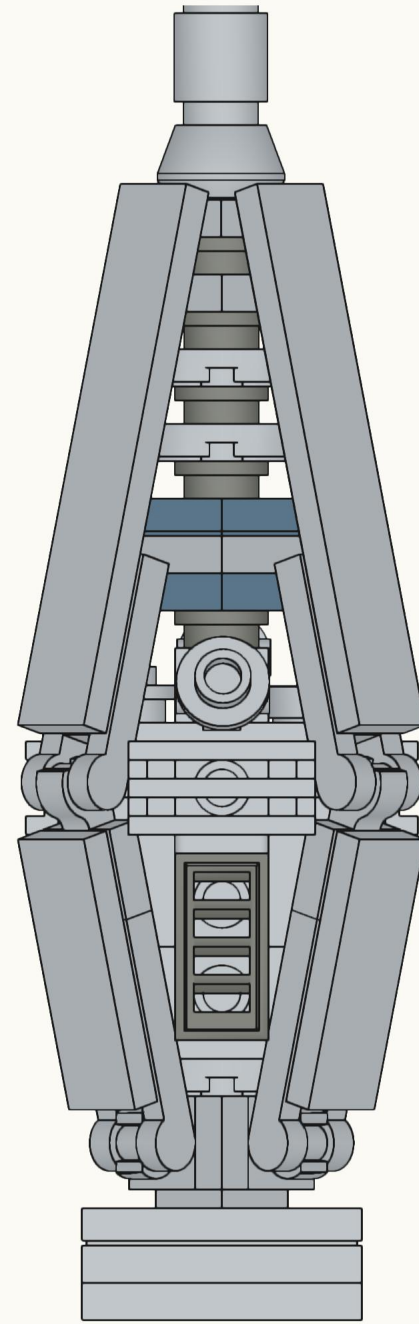
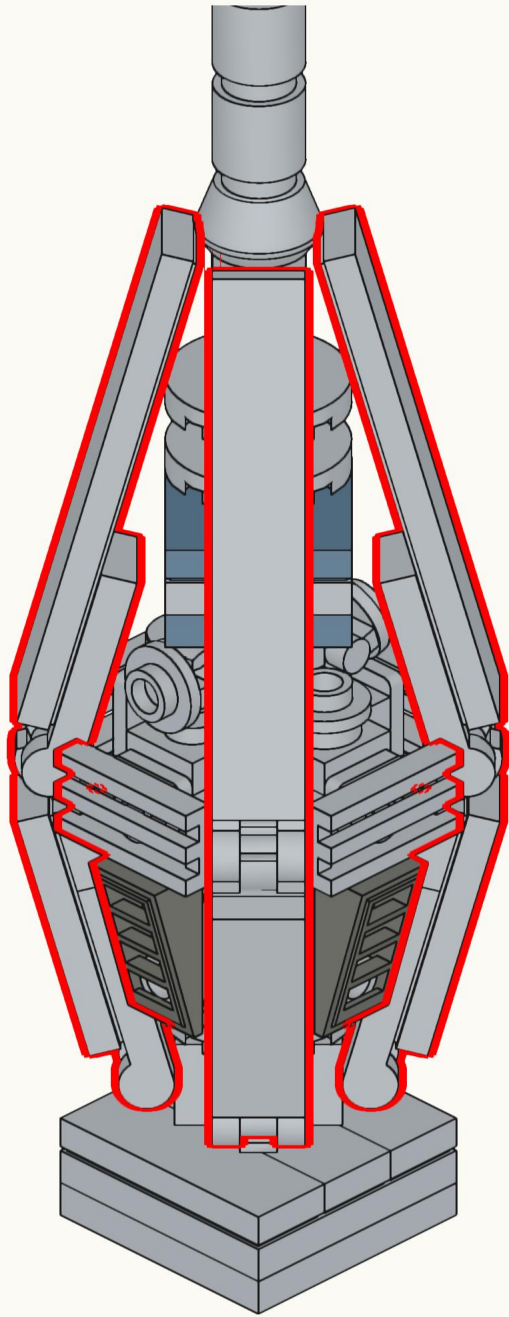
**29**

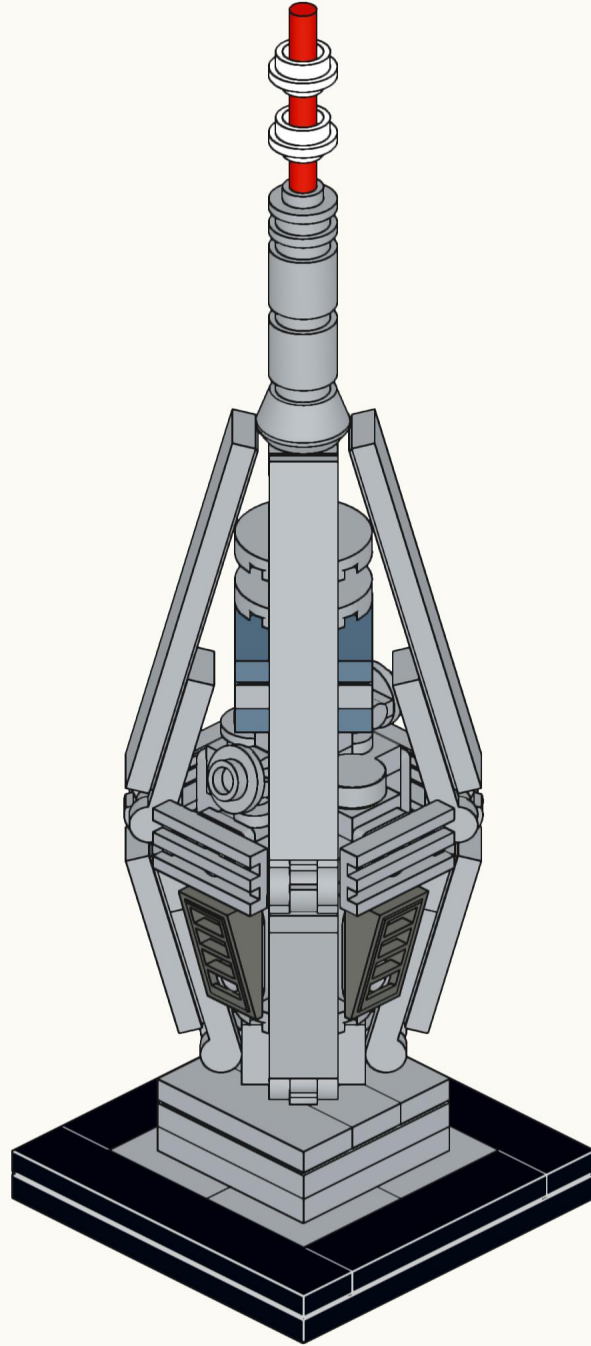
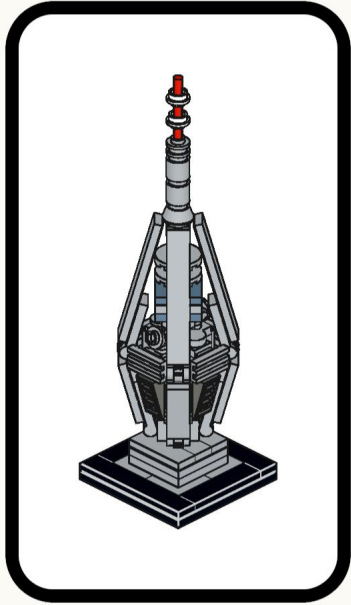


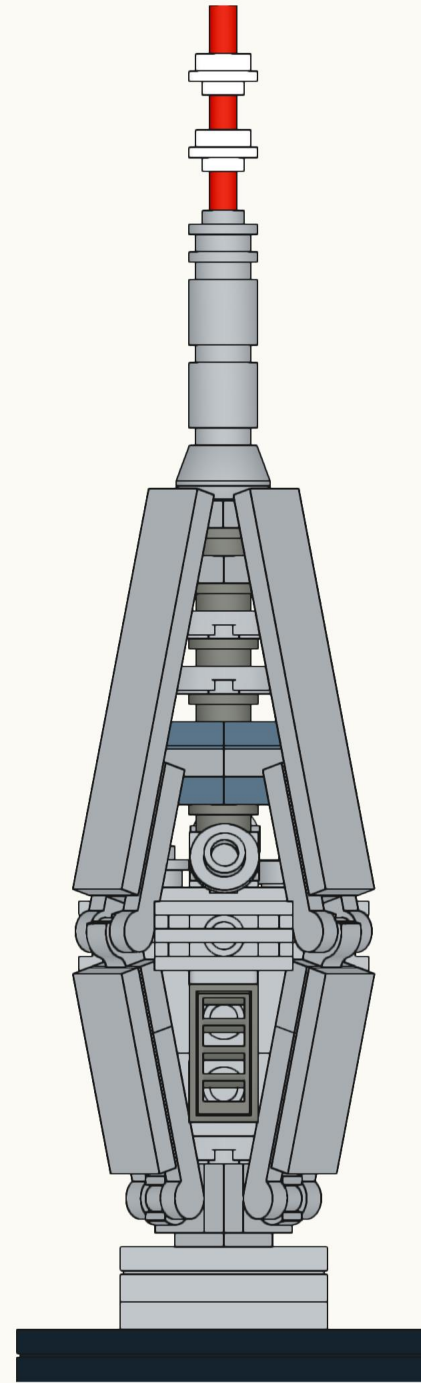
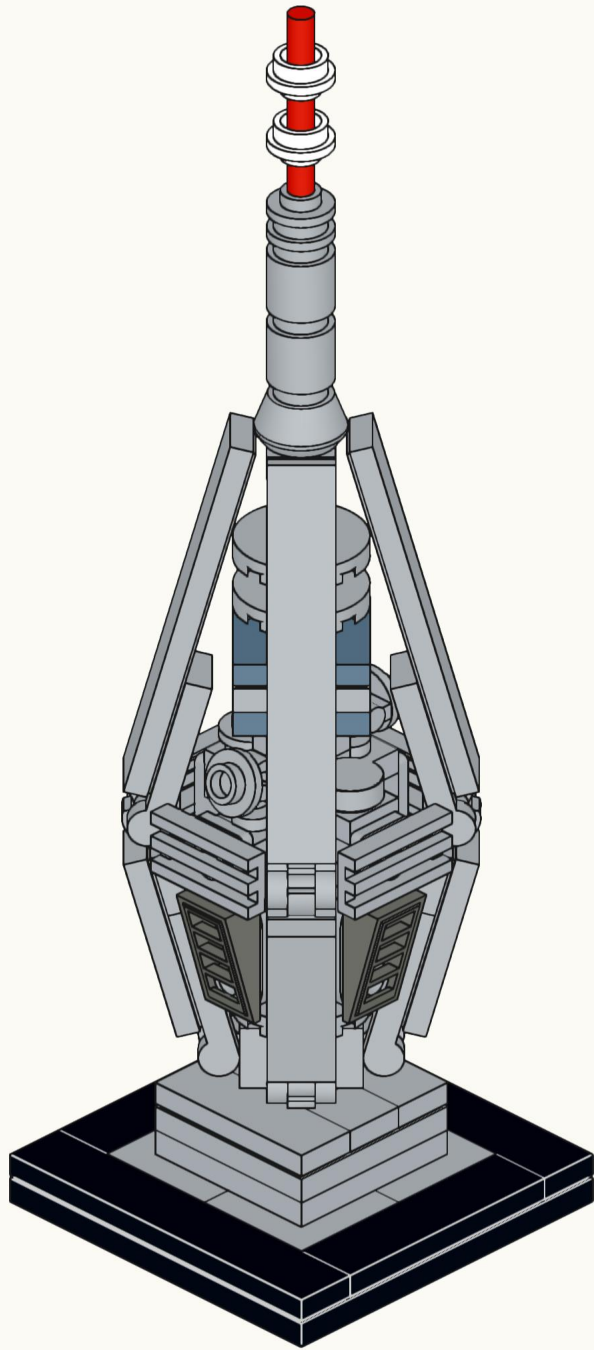
30

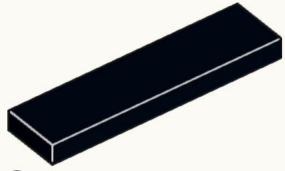


31

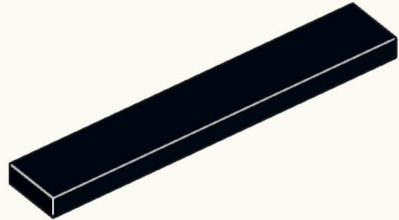




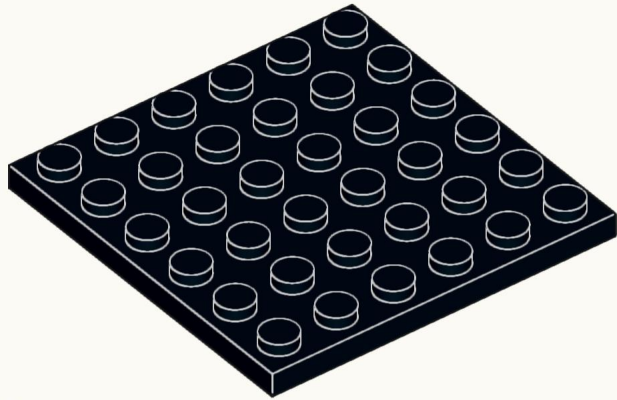




2x



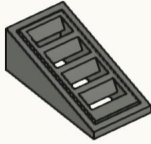
2x



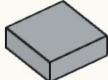
1x



5x



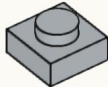
4x



2x



1x



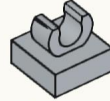
9x



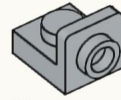
3x



2x



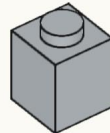
4x



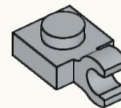
8x



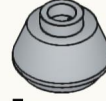
2x



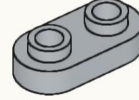
1x



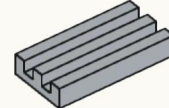
6x



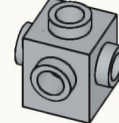
1x



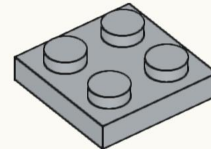
4x



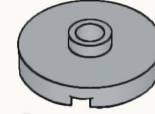
4x



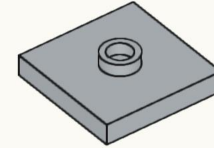
2x



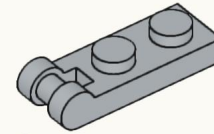
1x



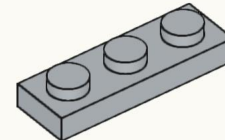
3x



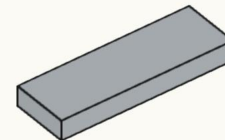
4x



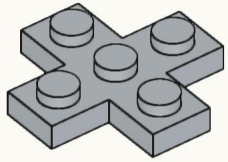
8x



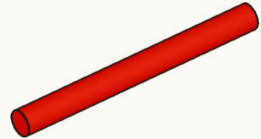
1x



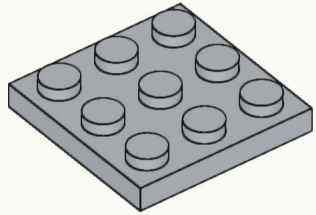
6x



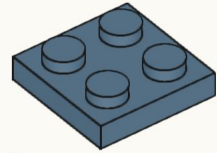
1x



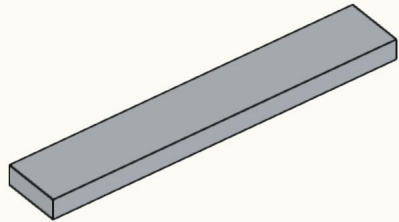
1x



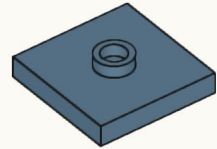
2x



1x



4x



1x



2x

