

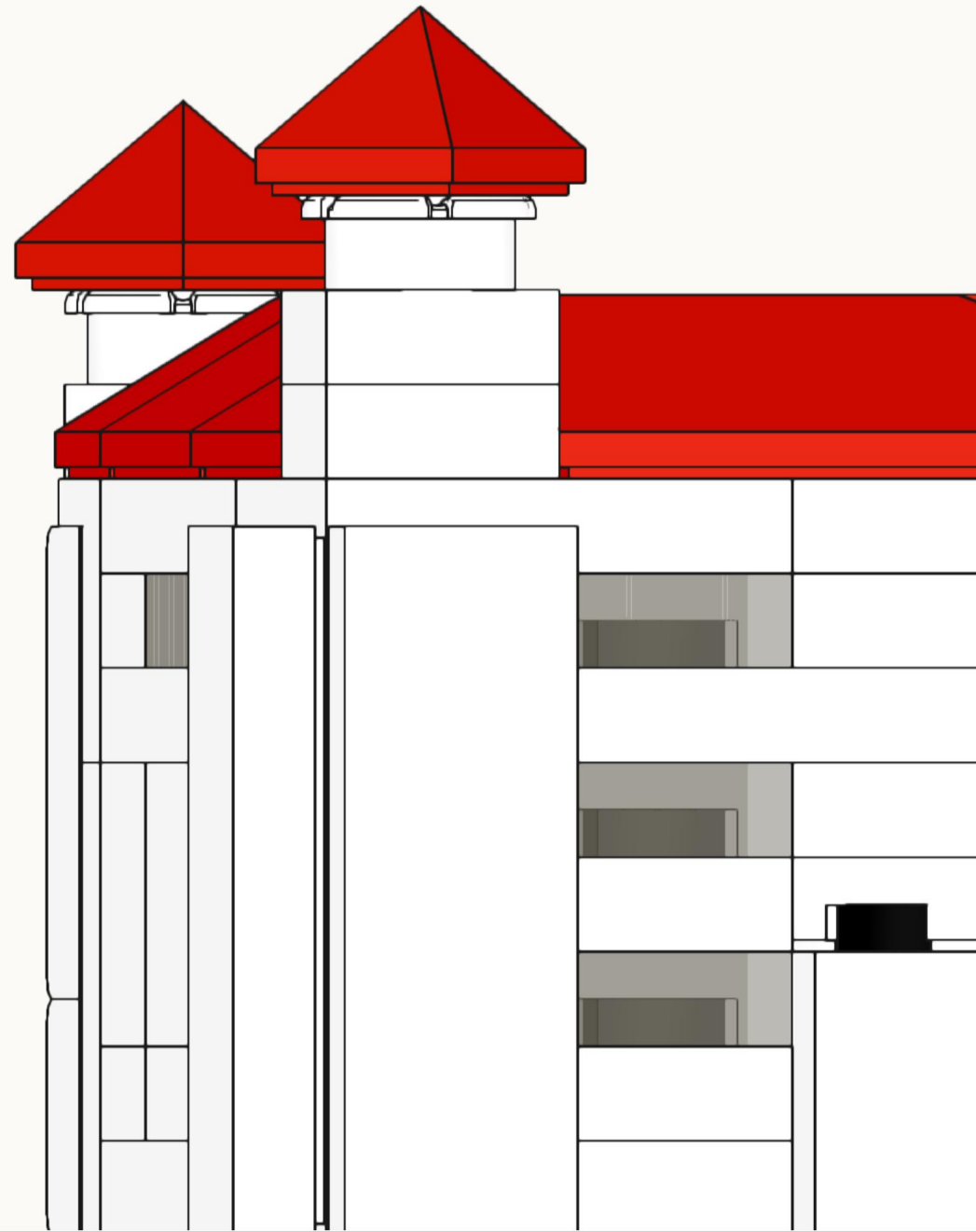


Bratislava Castle is a historic fortress overlooking the Danube River in Bratislava, Slovakia.

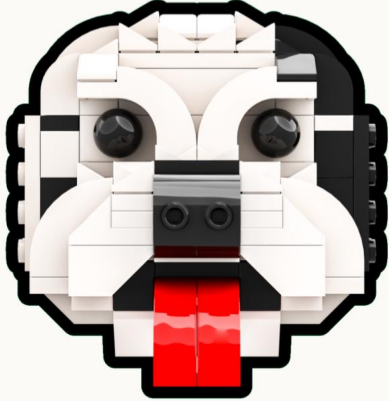
Its origins date back to the 9th century, though the site was inhabited since the Stone Age. The castle became a key political and royal seat of the **Kingdom of Hungary**, serving as a residence for Hungarian kings and later Empress Maria Theresa in the 18th century.

The castle was destroyed by fire in 1811 and remained in ruins until its reconstruction in the mid-20th century. Today, it houses the **Slovak National Museum** and serves as a symbol of Slovakia's history and heritage.

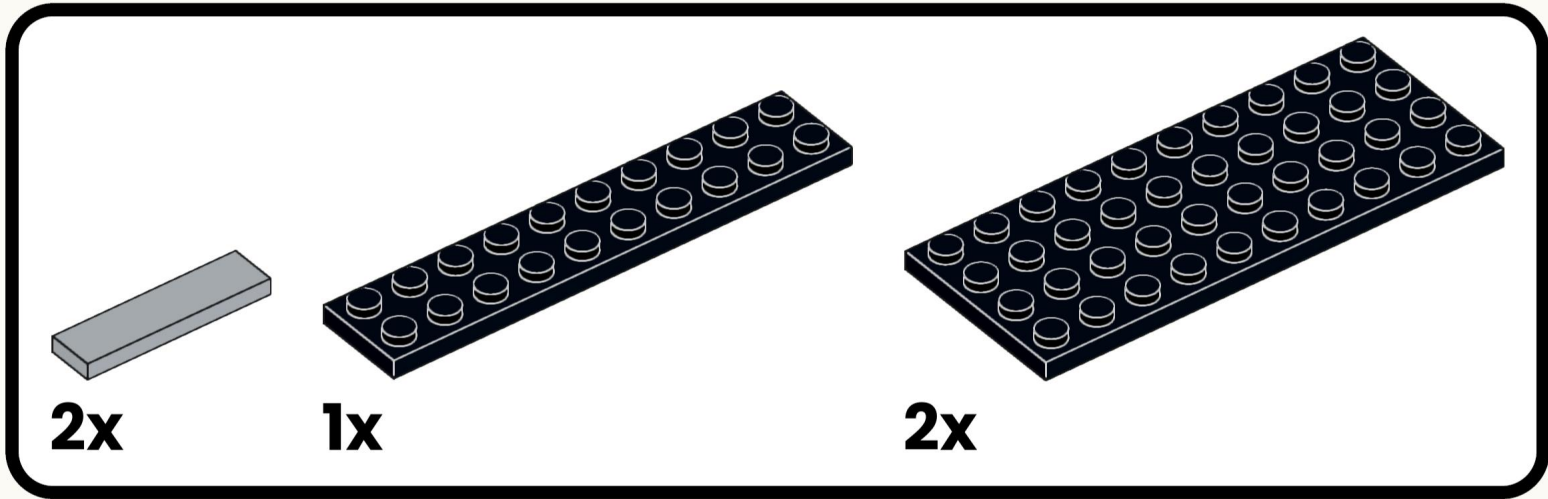
The castle's rectangular structure with four corner towers, including the **Crown Tower**, offers panoramic views of the city and the Danube.



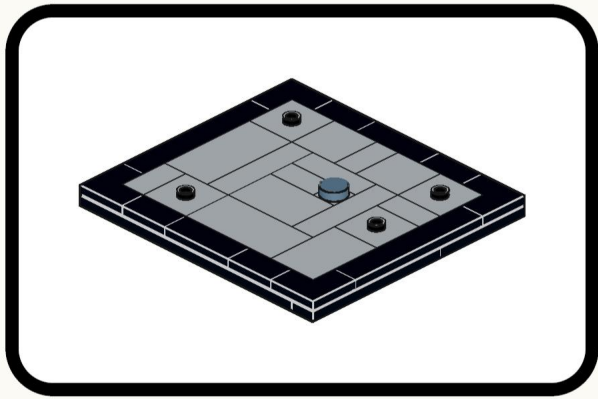
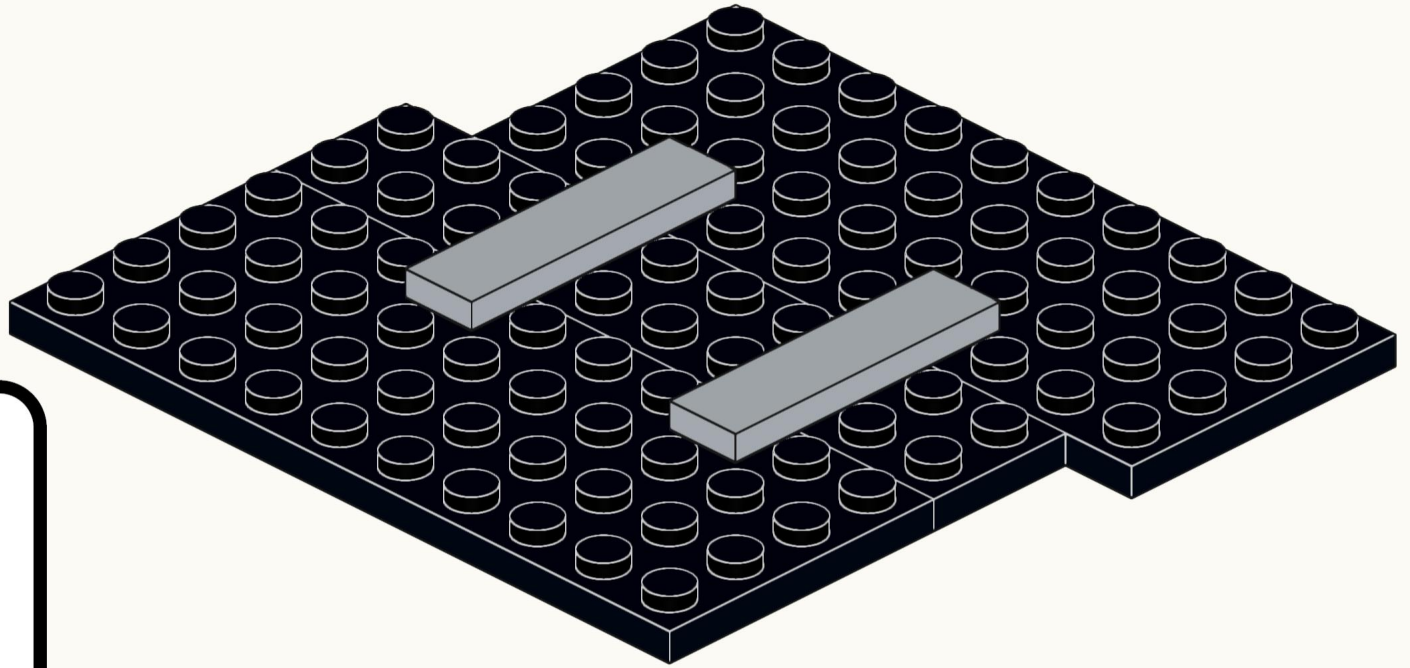
BRATISLAVA CASTLE MOC KIT

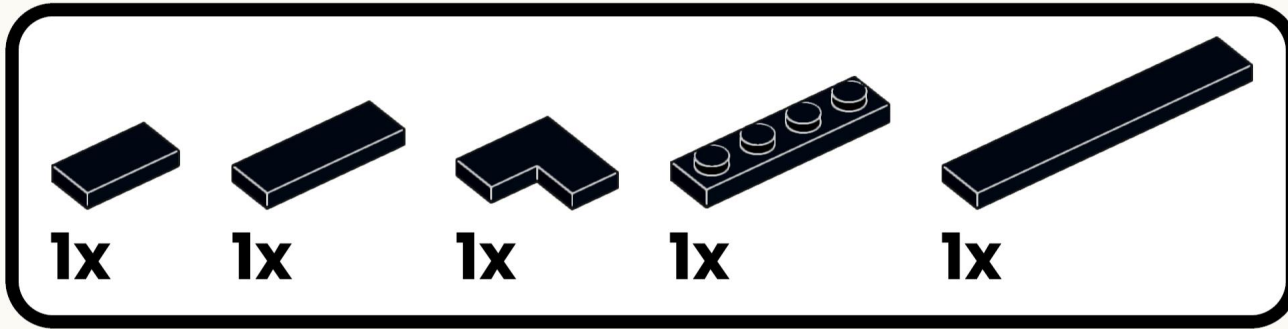
	KIT GB-003	UNITS	WIDTH	LENGTH	HEIGHT
	MICRO SCALE	STUDS	11.0	10.0	6.0
	184 PARTS	INCHES	3.5	3.1	1.9
	DESIGNED IN 2025	CENTIMETERS	8.8	8.0	4.8

This MOC kit is based on an original MOC (My Own Creation) designed by **The Bobby Brix Channel**. The design and building instructions remain the property of The Bobby Brix Channel registered under SREDA s.r.o. For details or permissions regarding resale, wholesale, exhibitions, or commercial use, please contact The Bobby Brix Channel on bobbybrix.com.

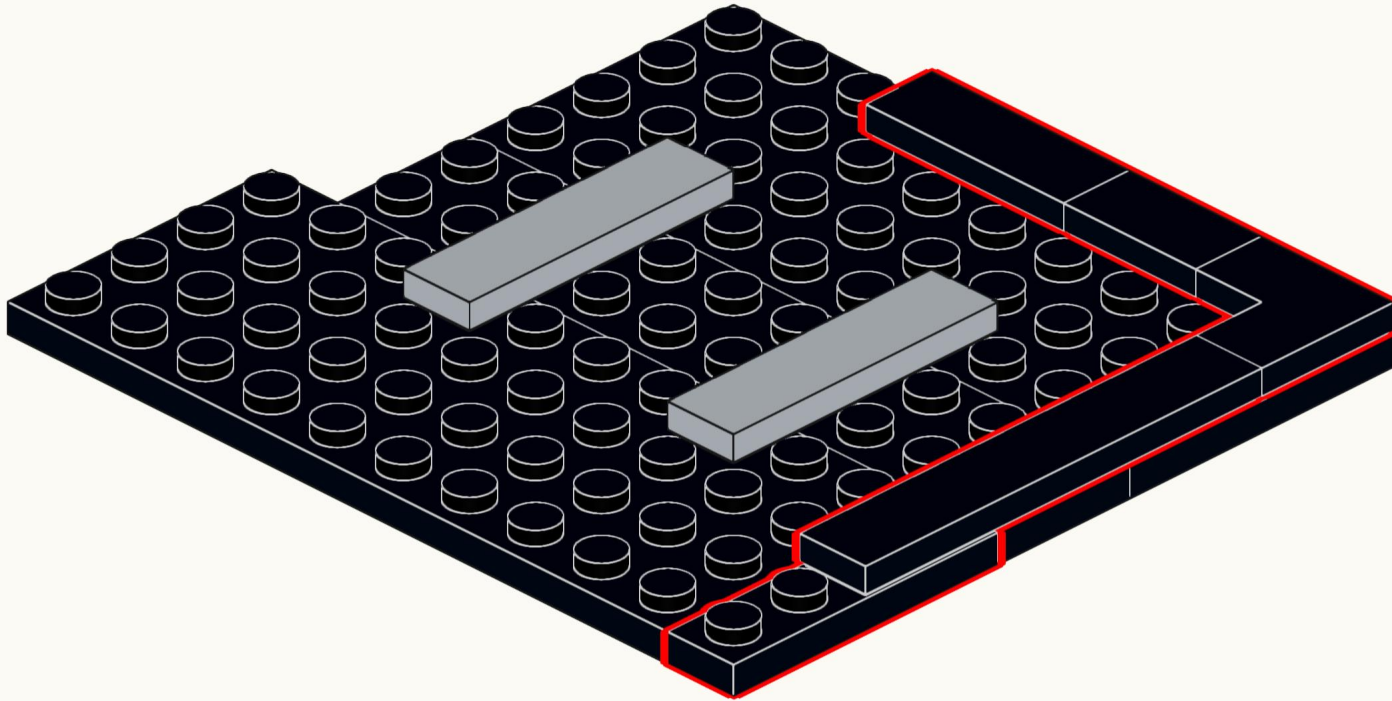


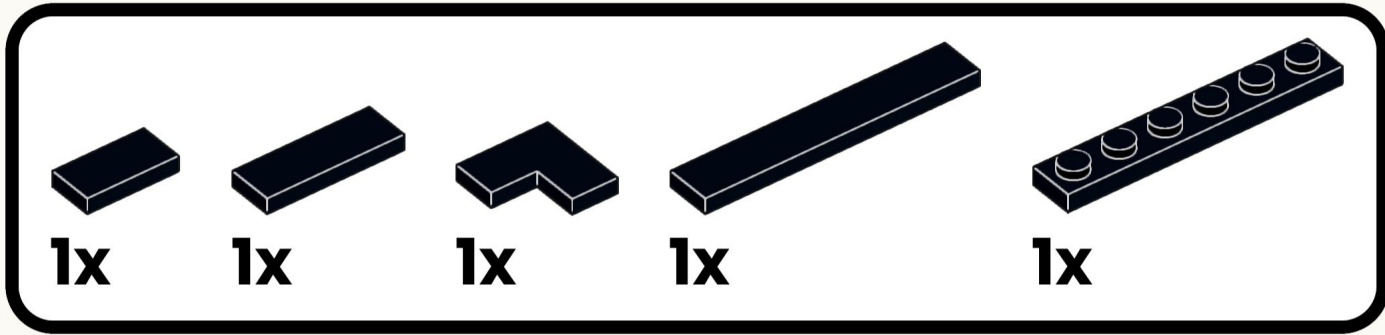
1



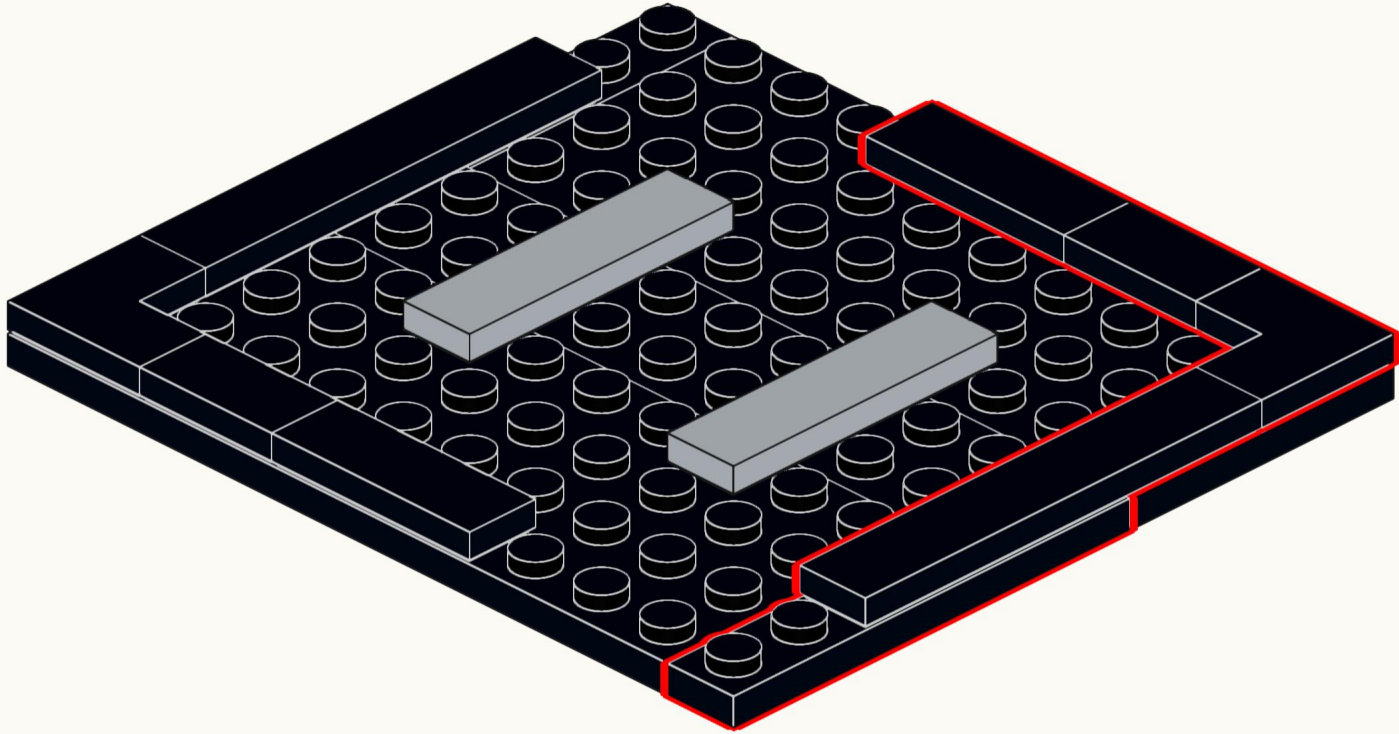


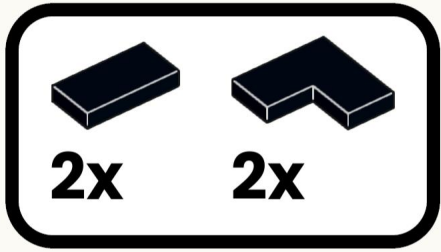
2



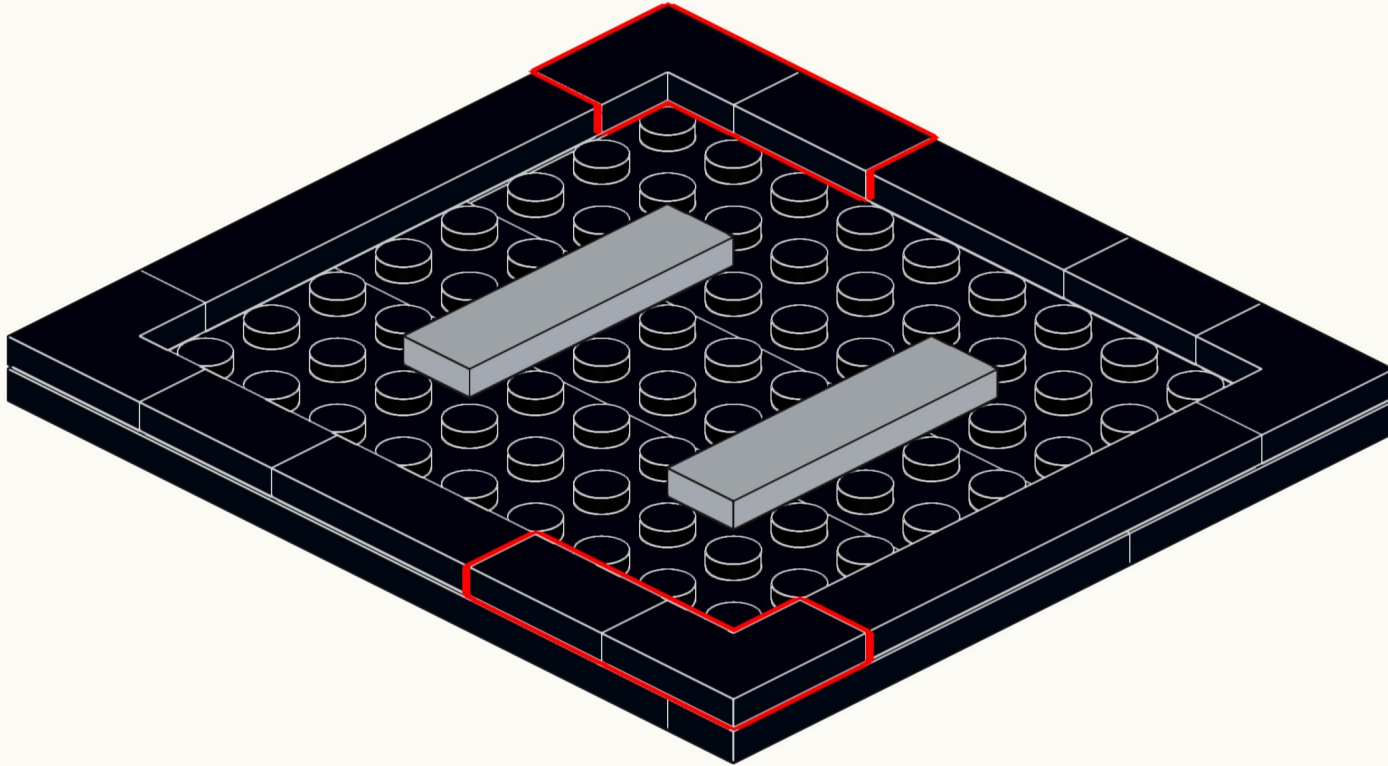


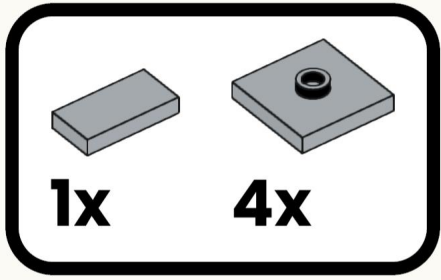
3



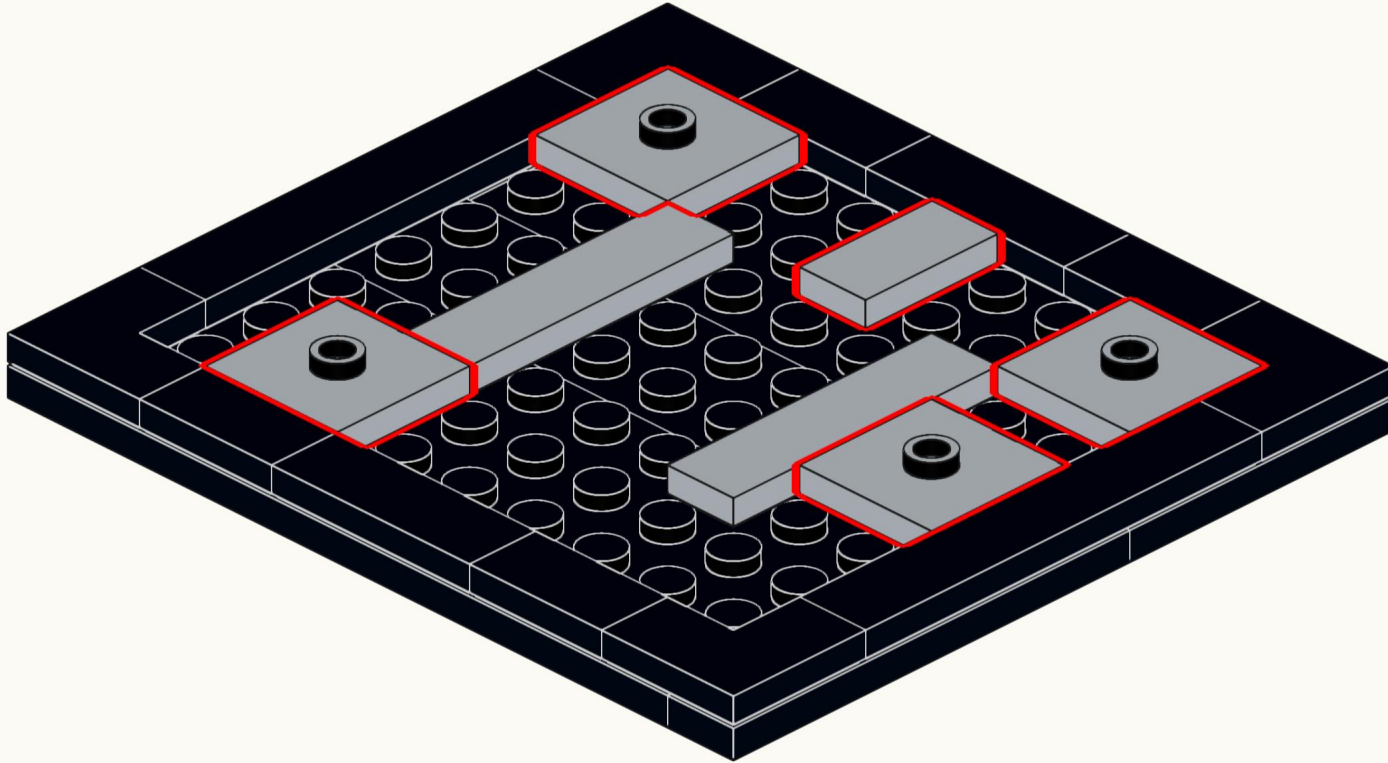


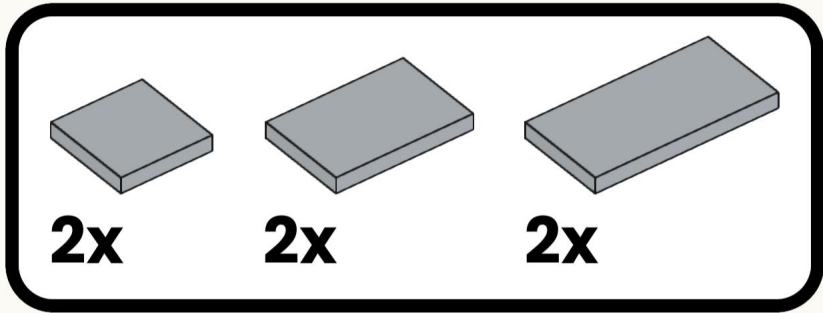
4



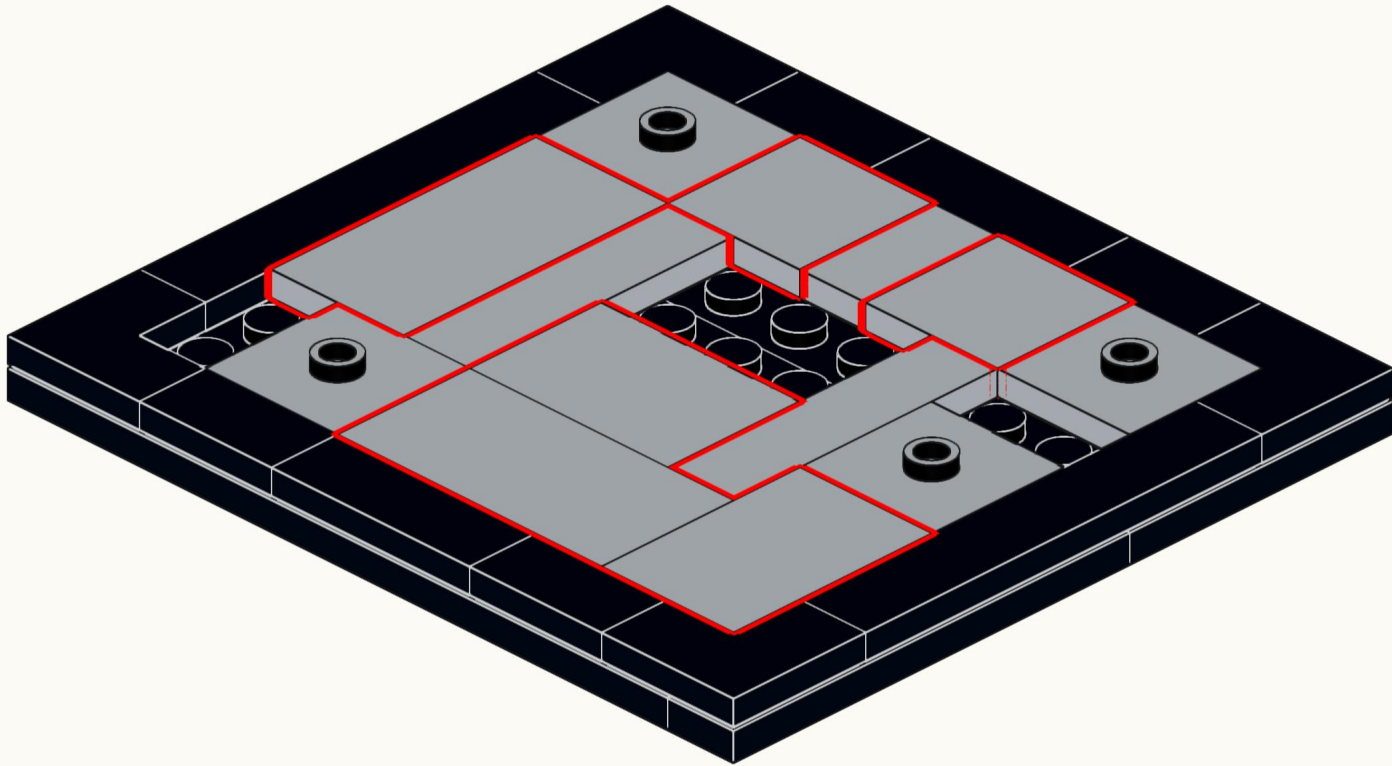


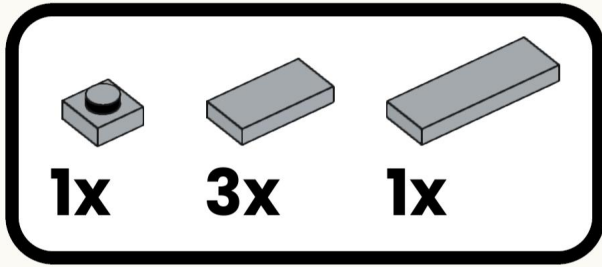
5



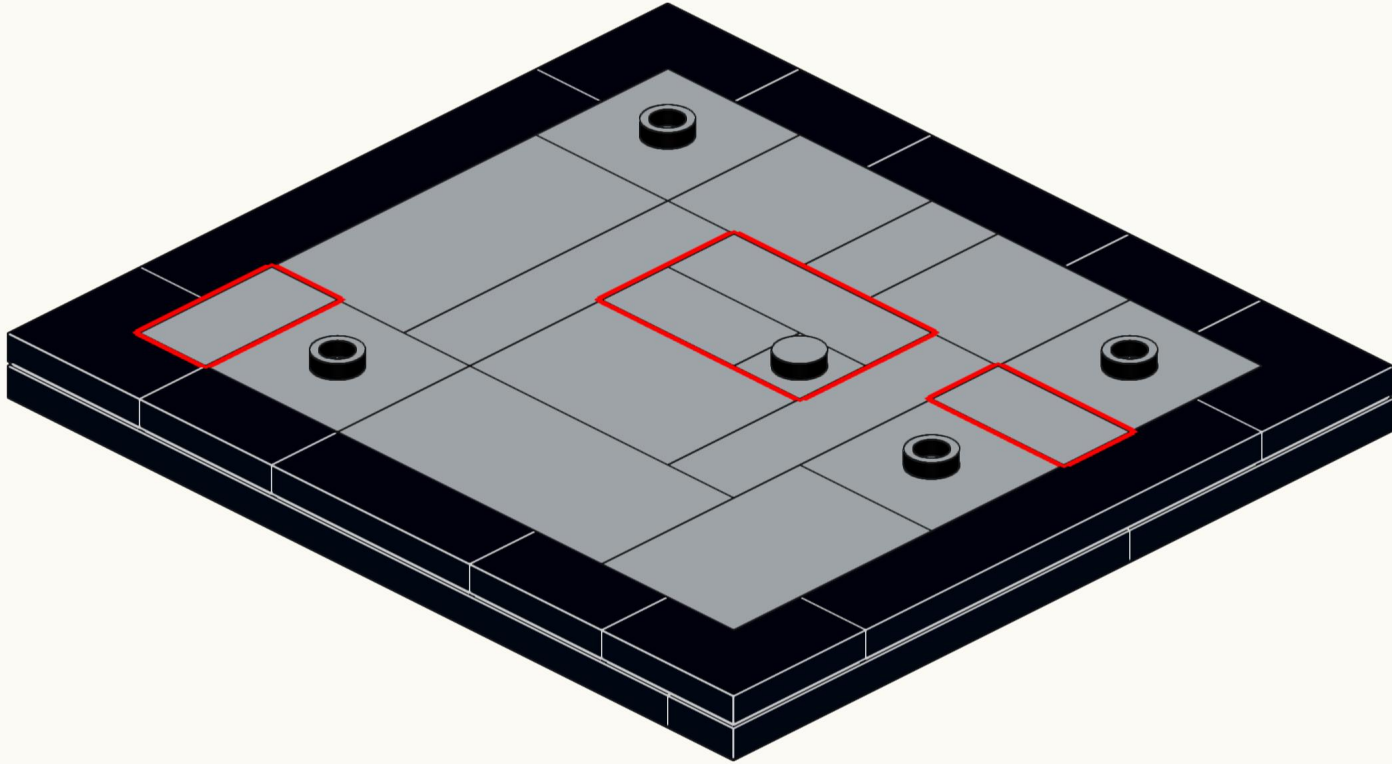


6



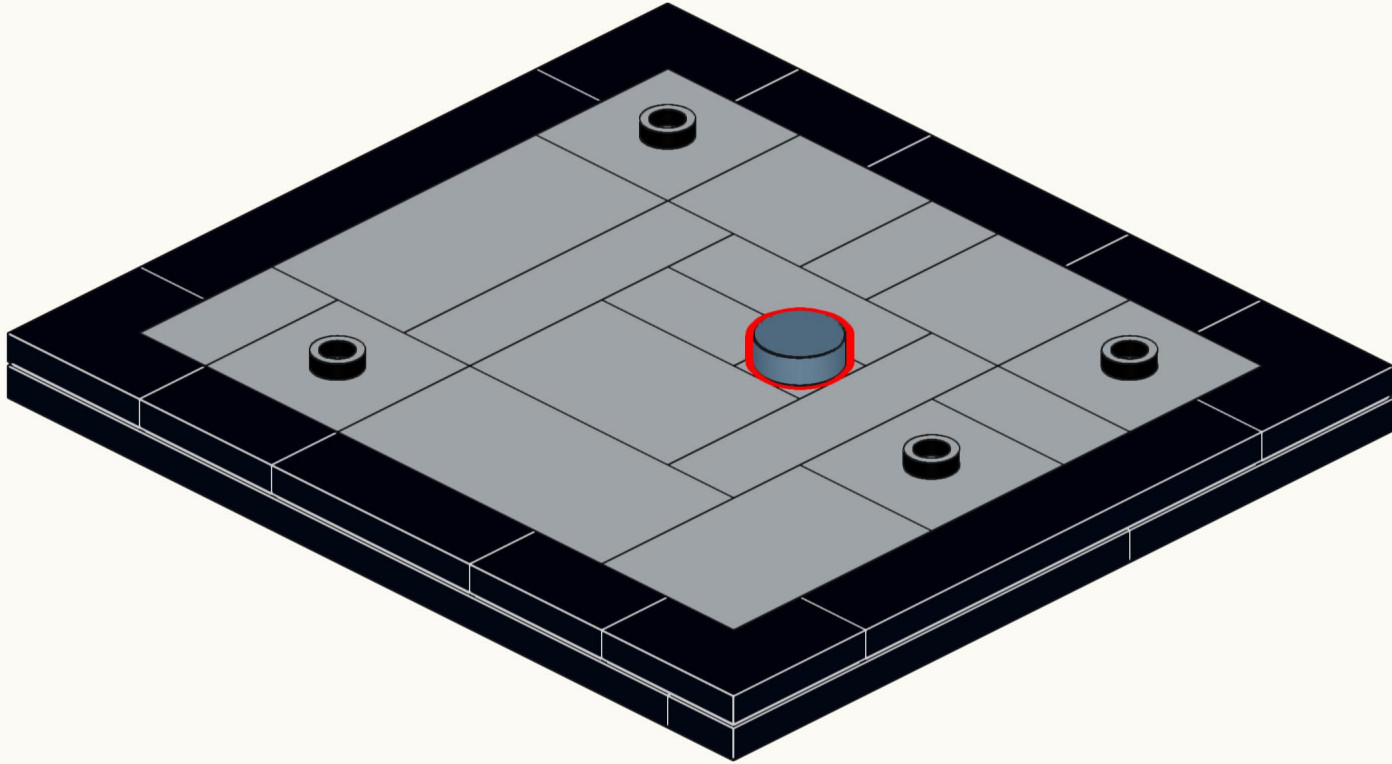


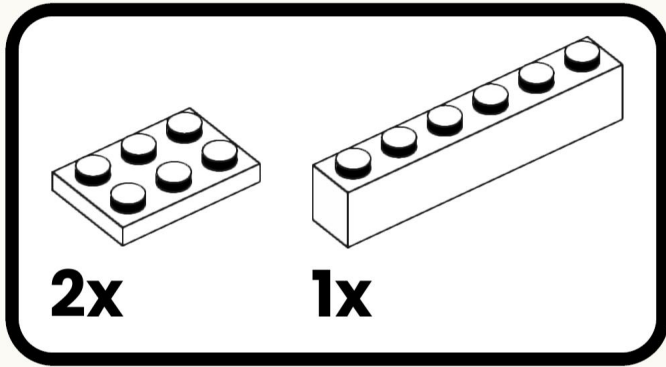
7



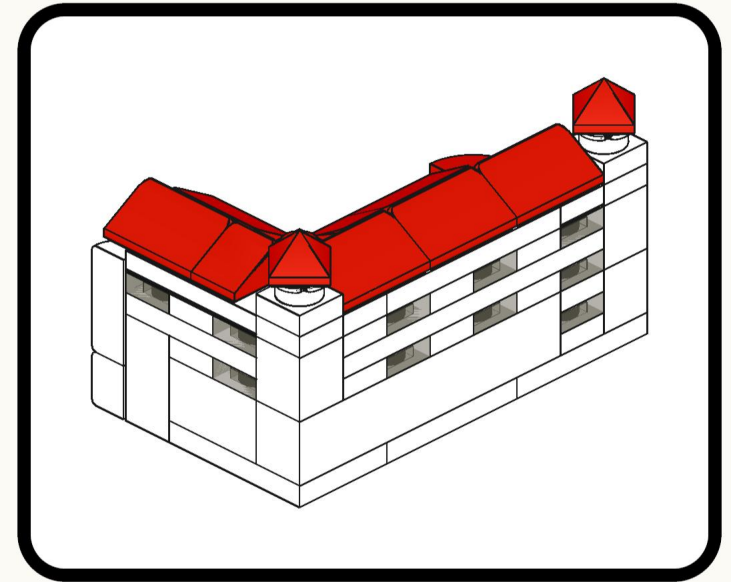
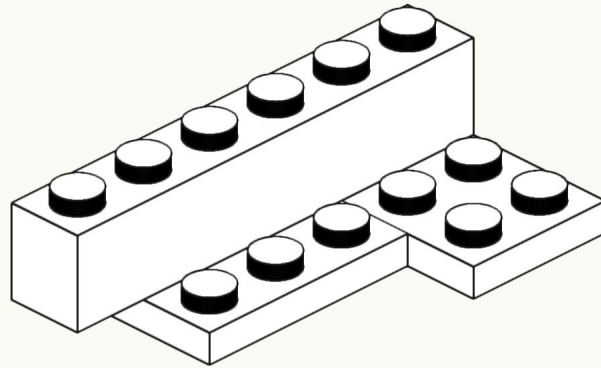


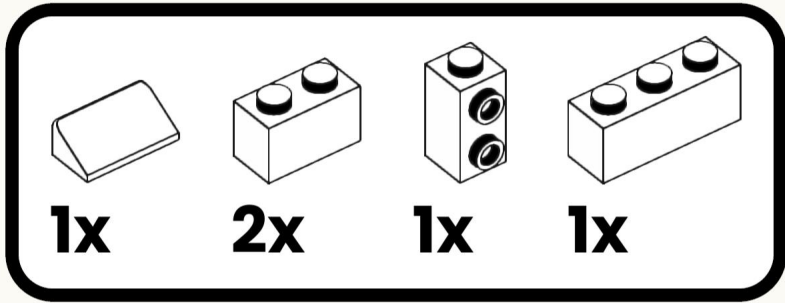
8



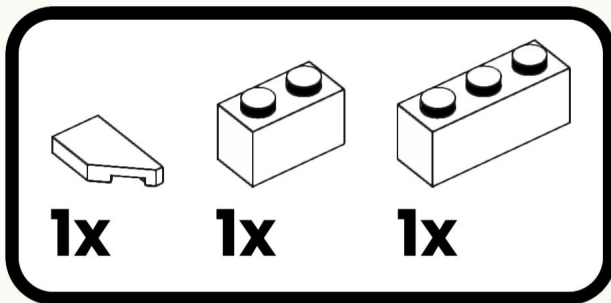
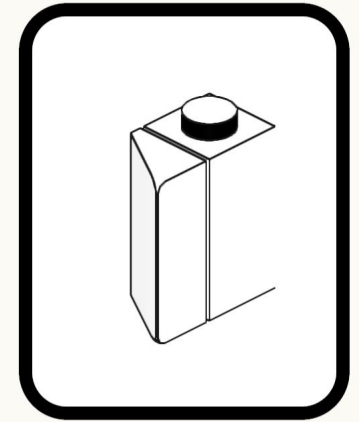
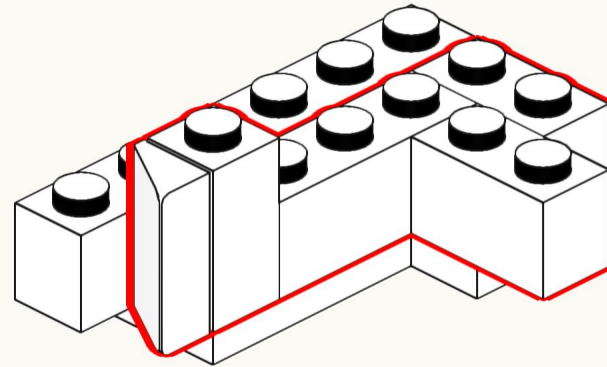


9

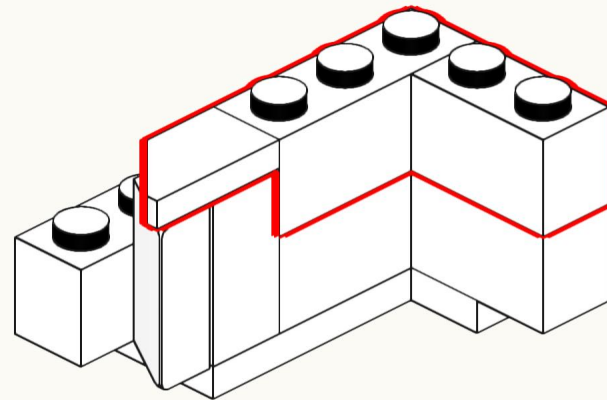


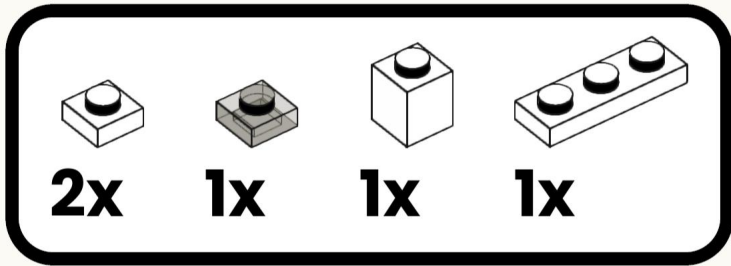


10

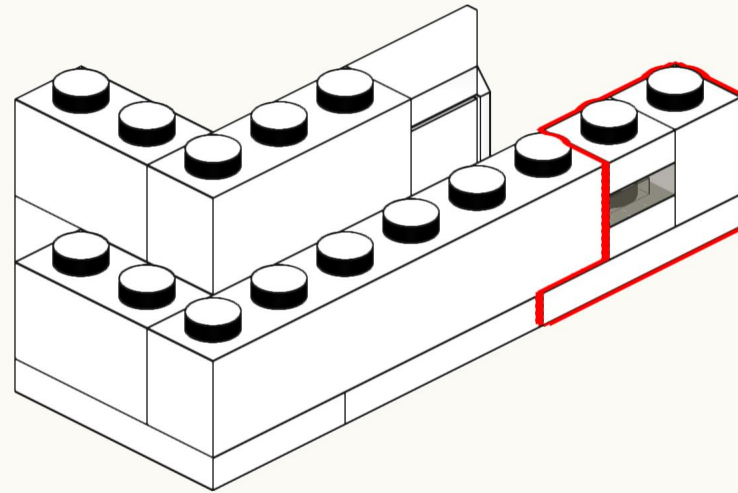


11

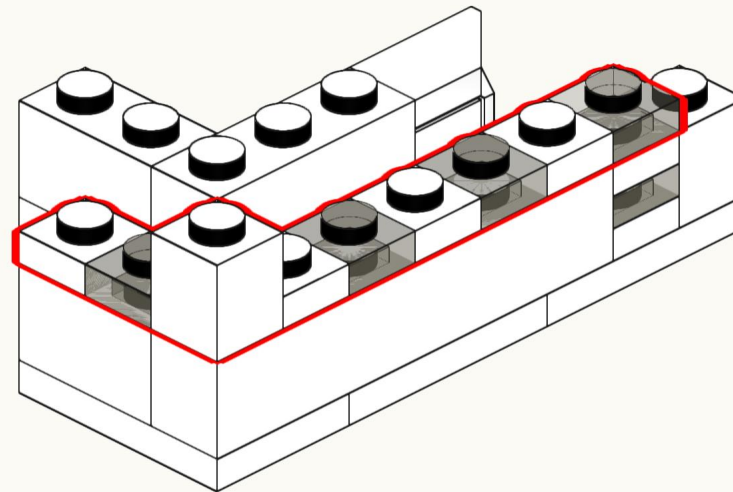
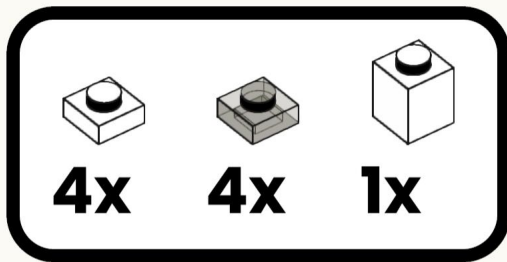


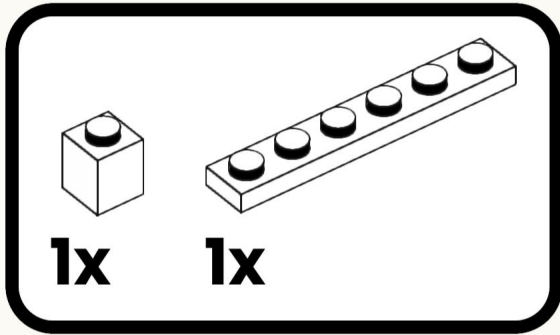


12

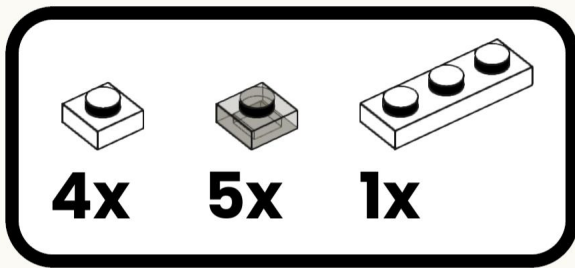
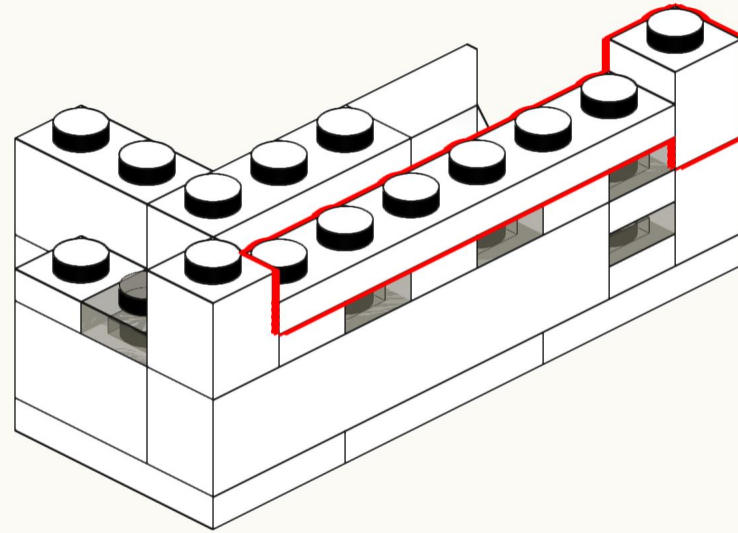


13

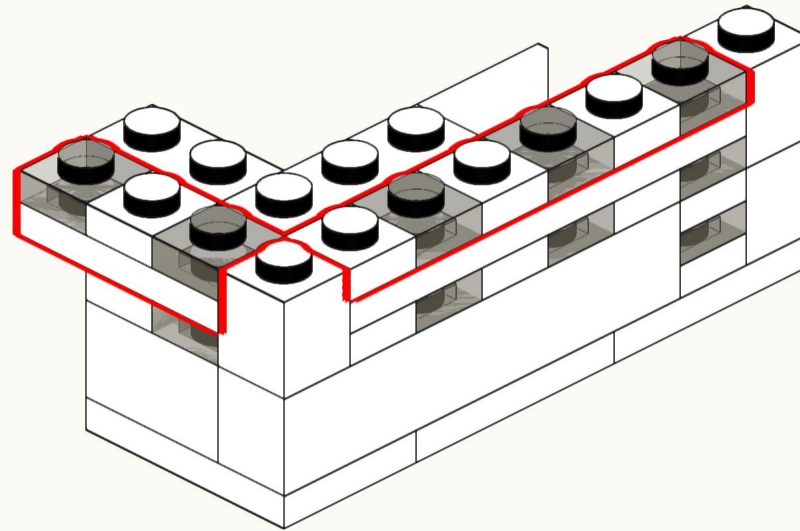


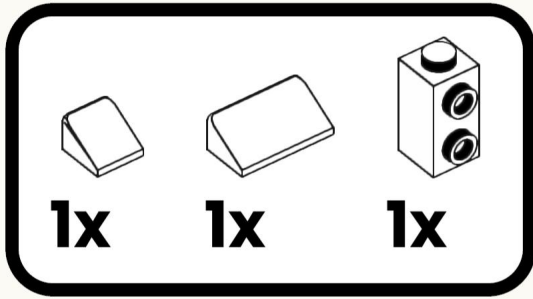


14

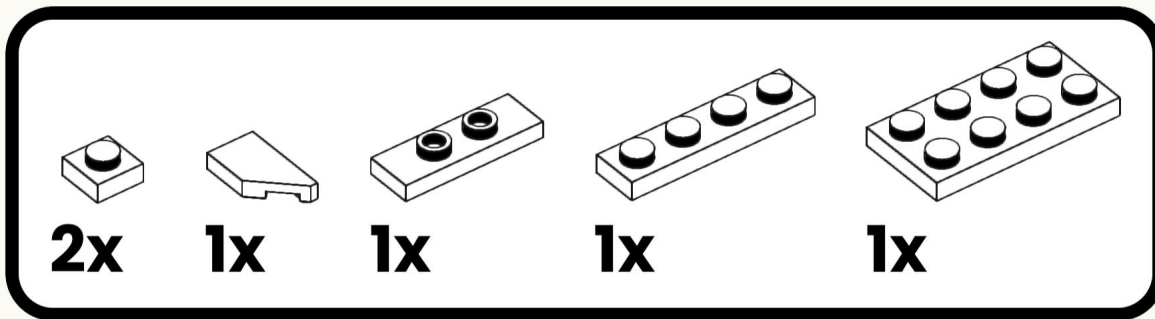
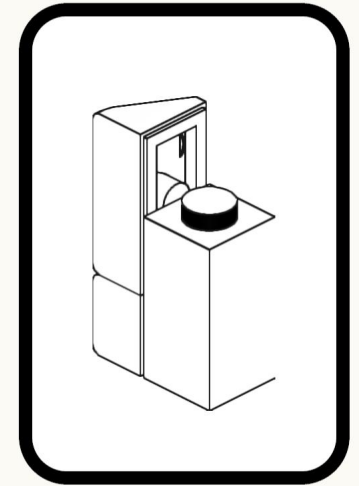
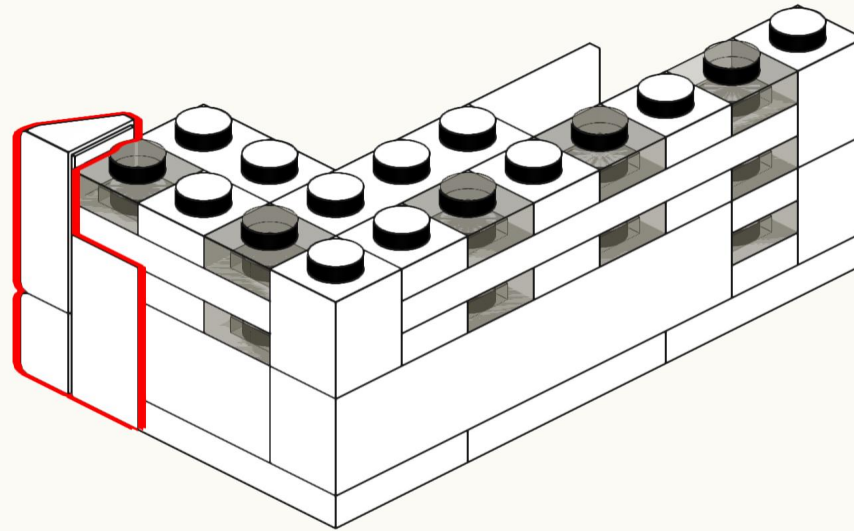


15

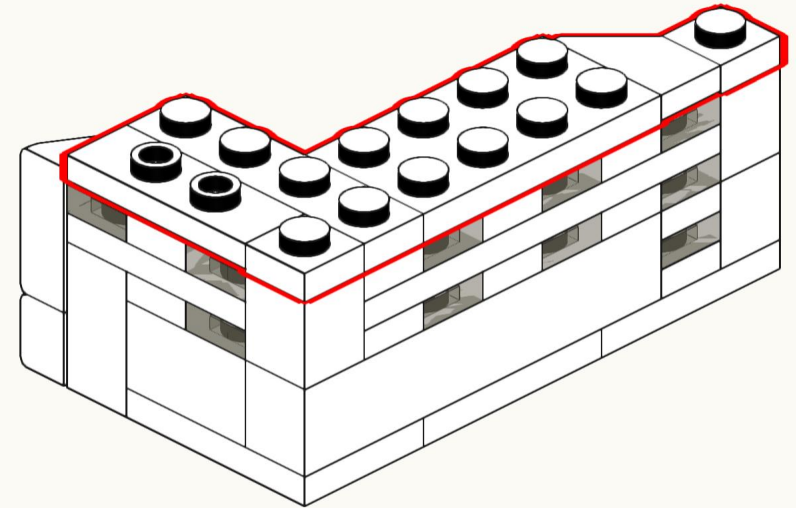


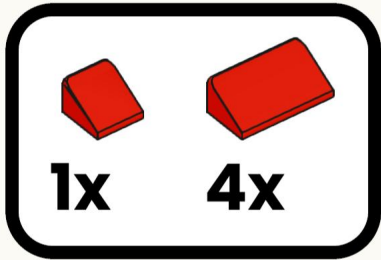


16

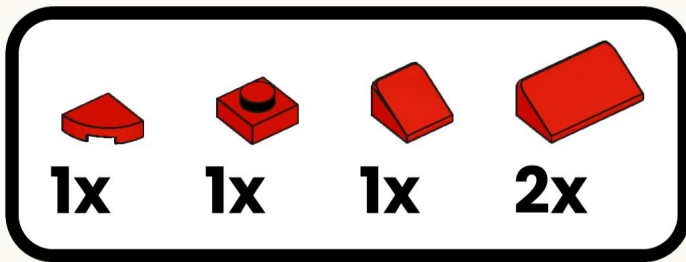
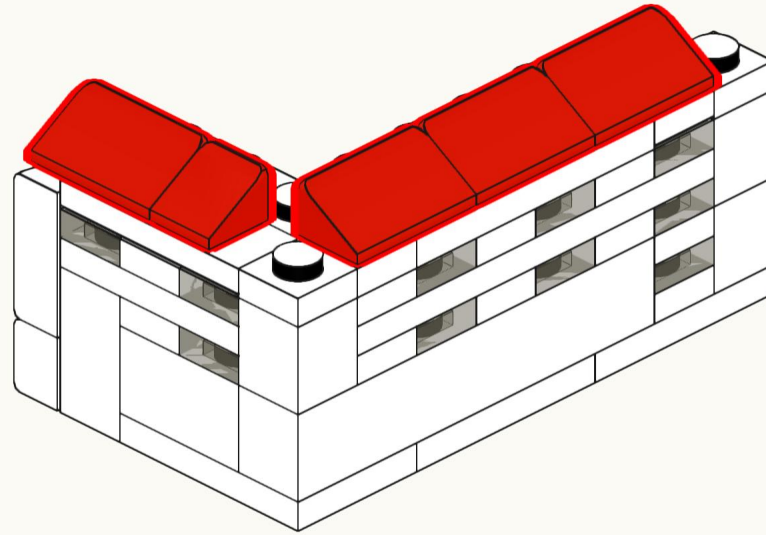


17

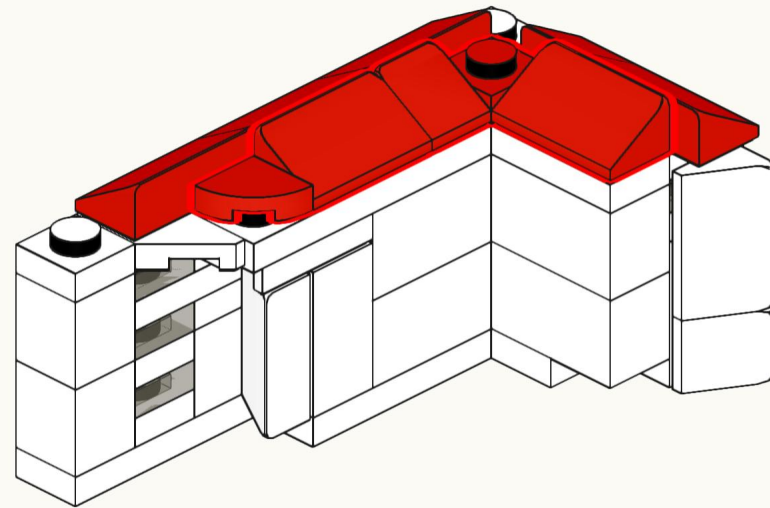




18

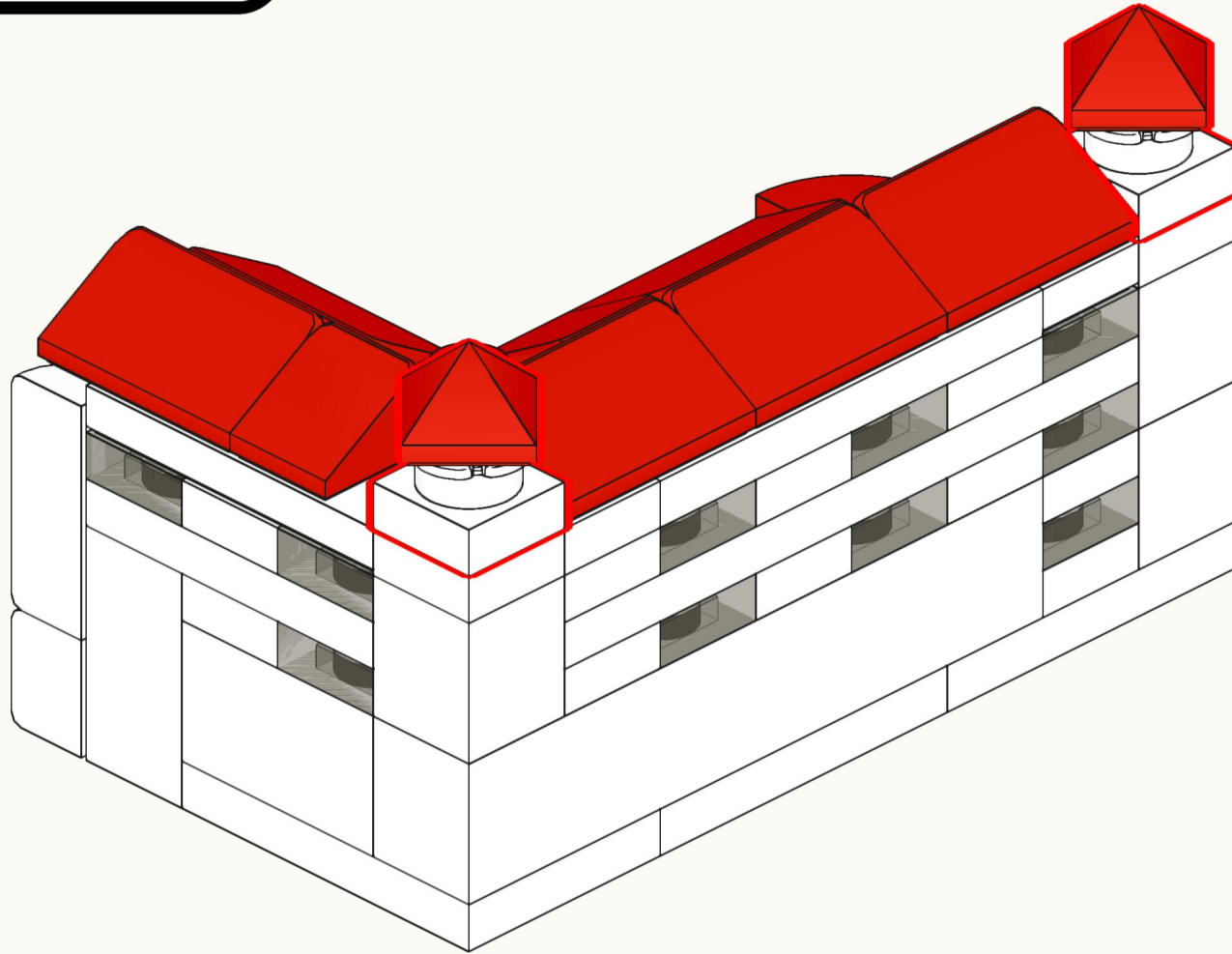


19



2x 2x 2x

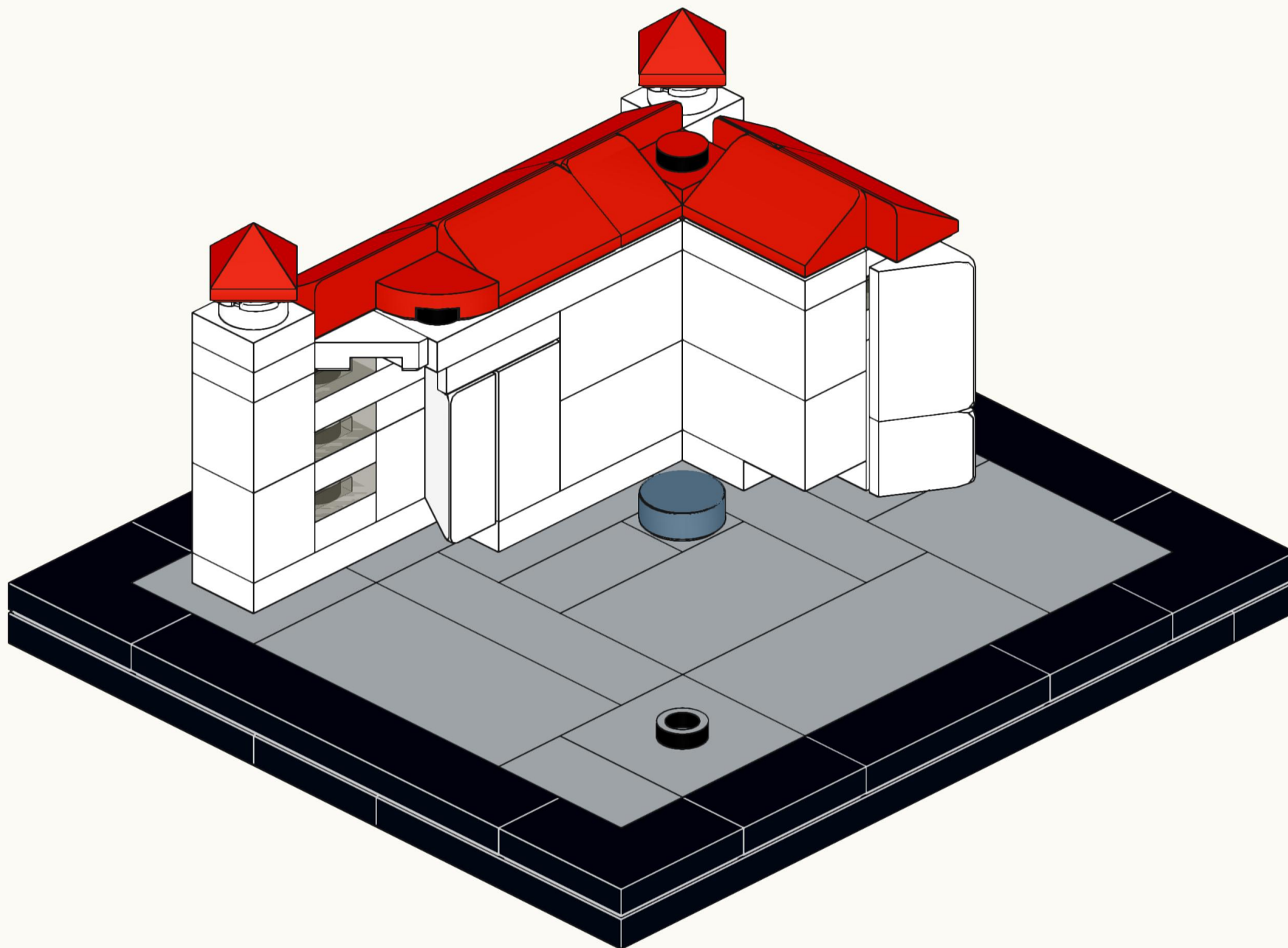
20

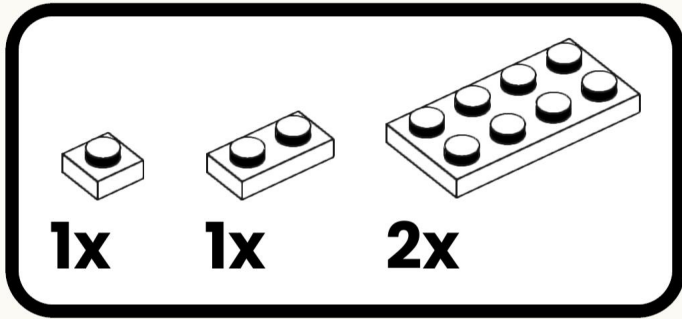


2x

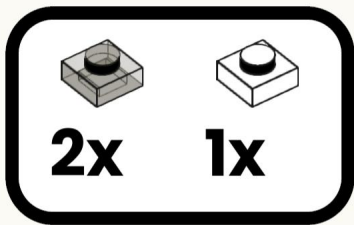
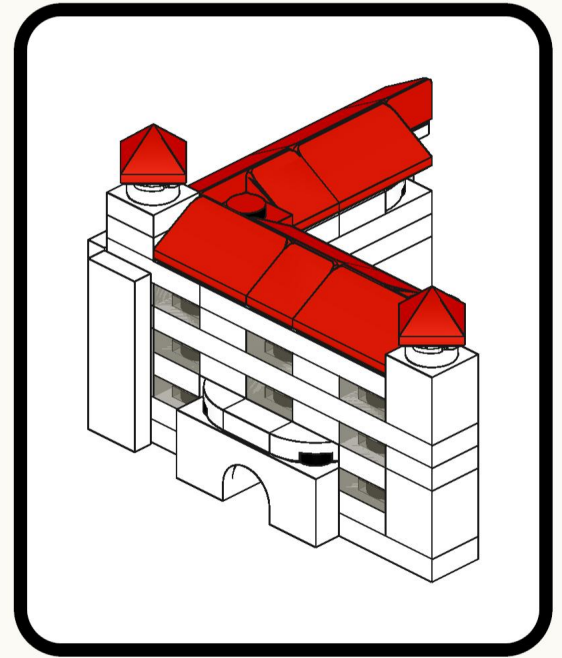
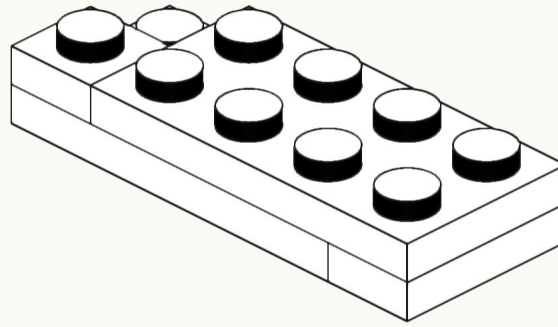
A detailed inset diagram showing a red pyramid being placed on top of a white Technic base. The text "2x" is written above the diagram, indicating that two of these sub-assemblies are required for the step.

21

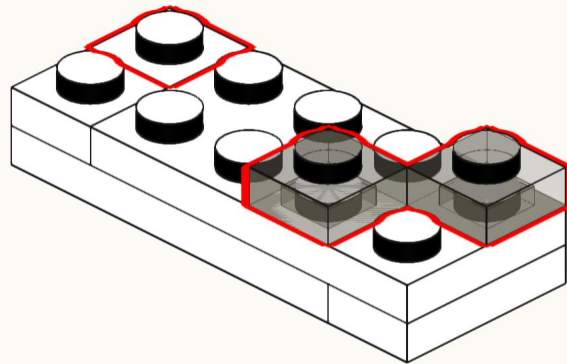


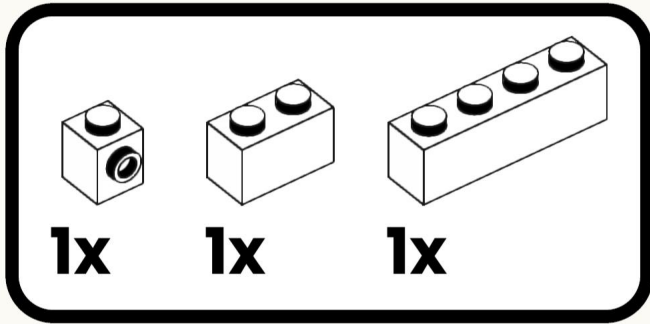


22

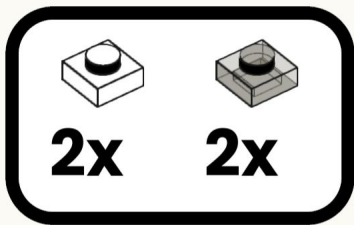
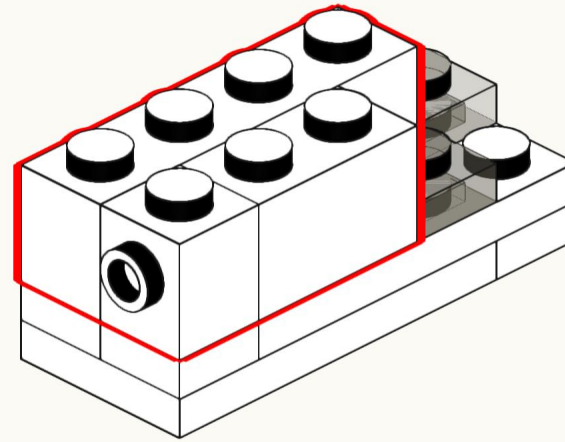


23

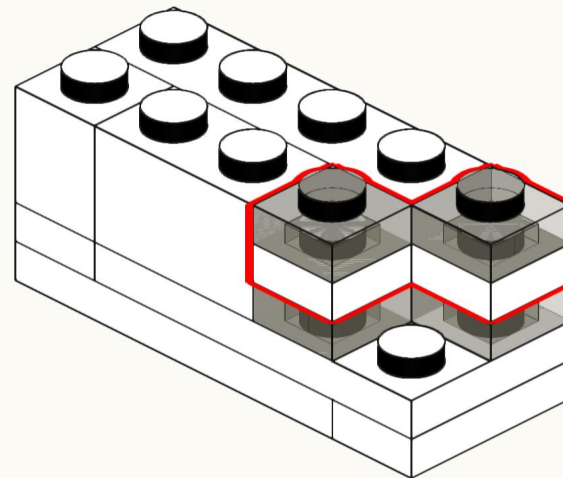


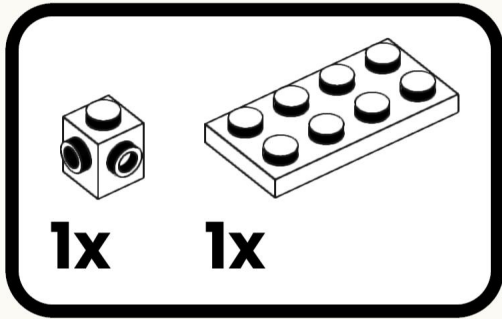


24

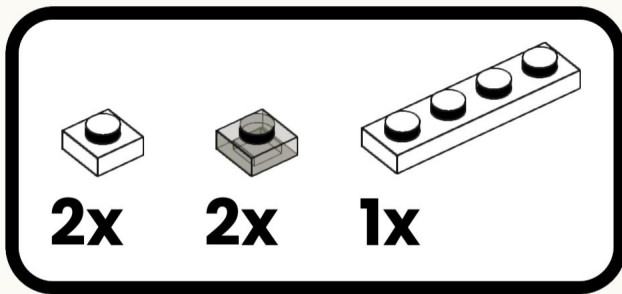
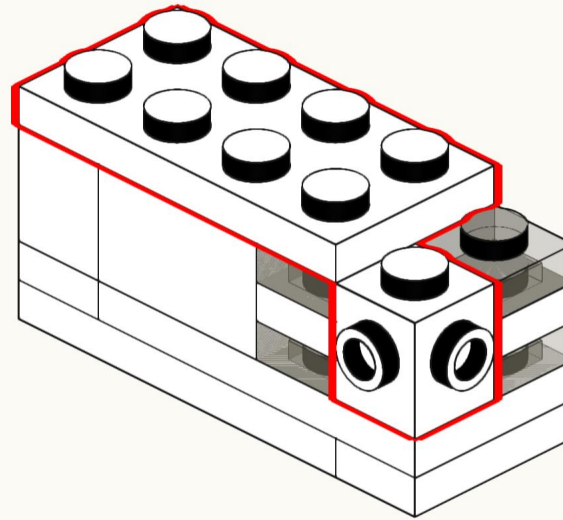


25

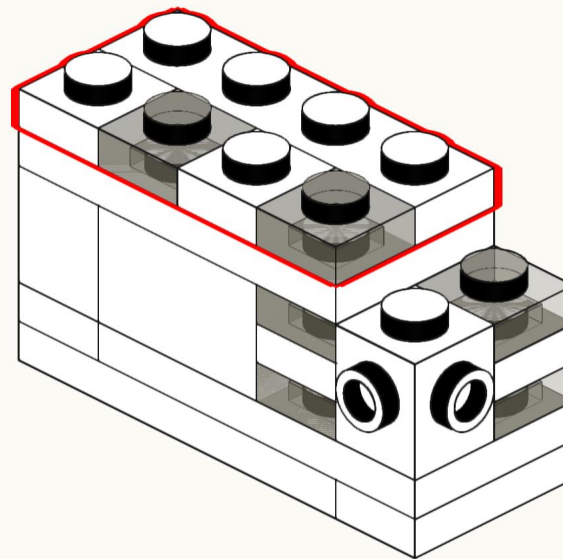


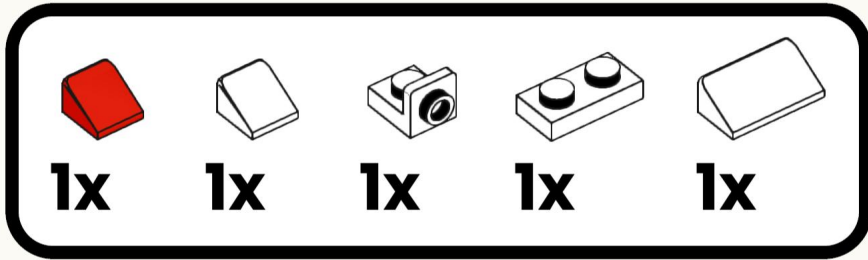


26

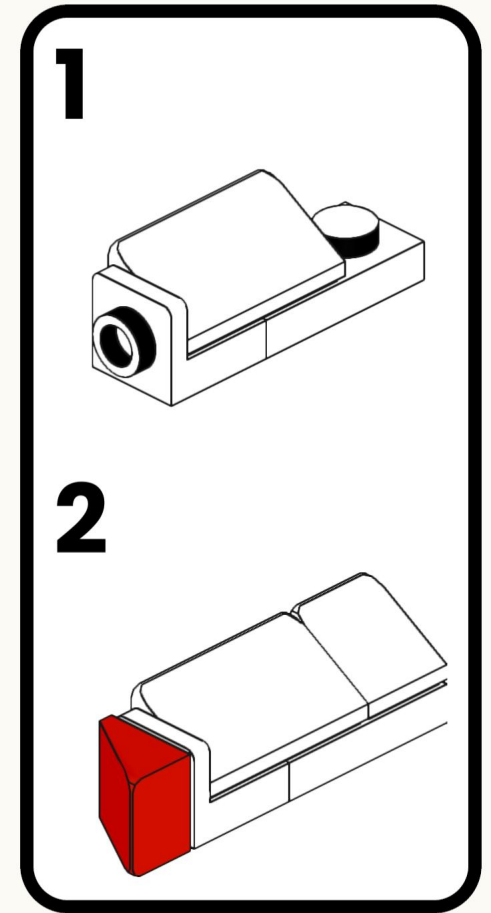
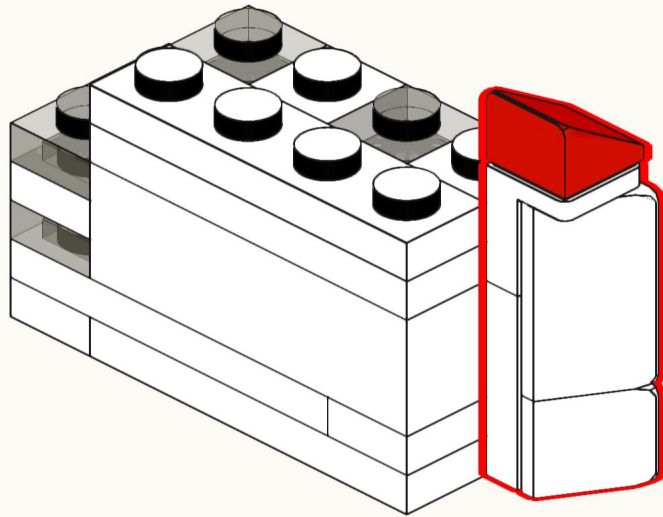


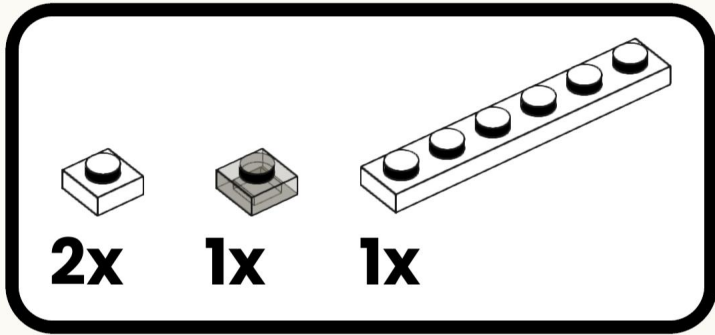
27



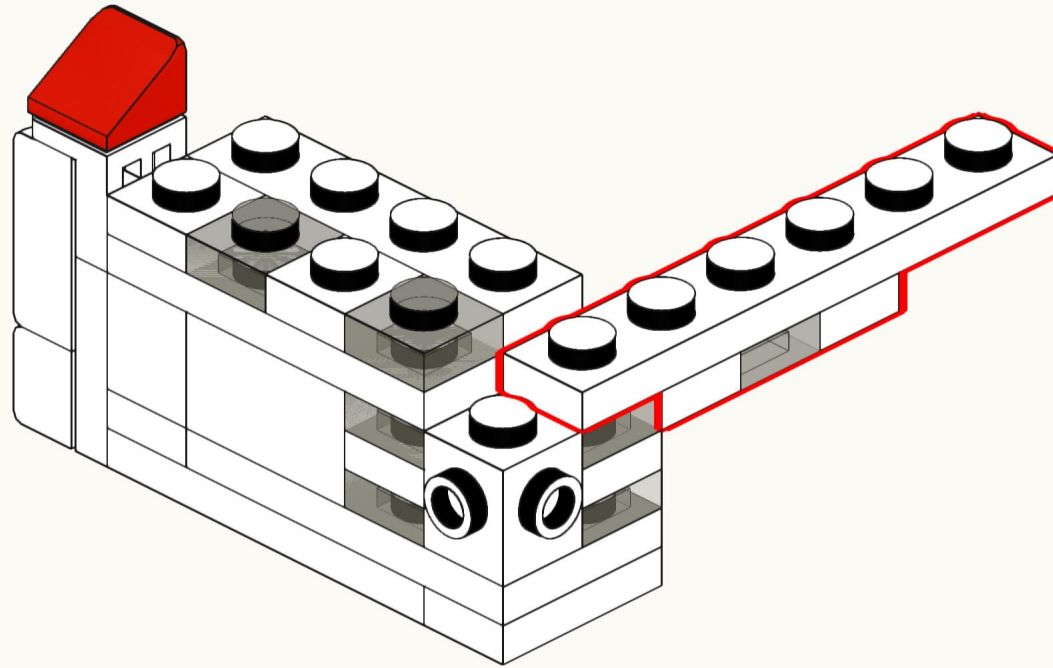


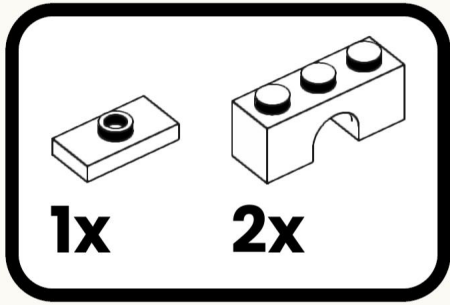
28



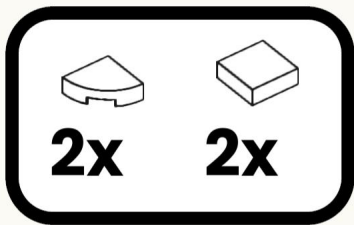
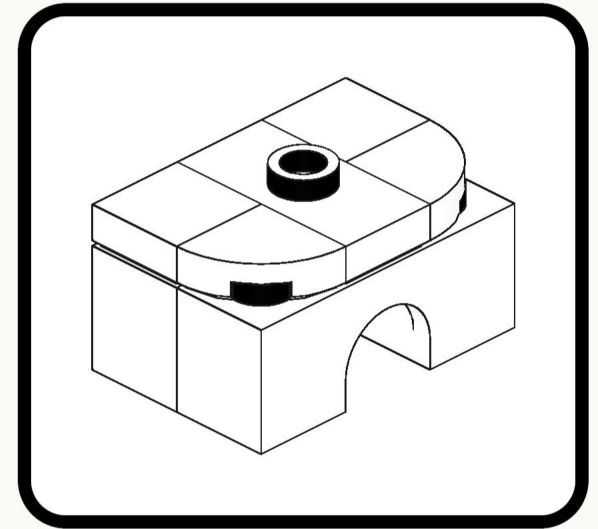
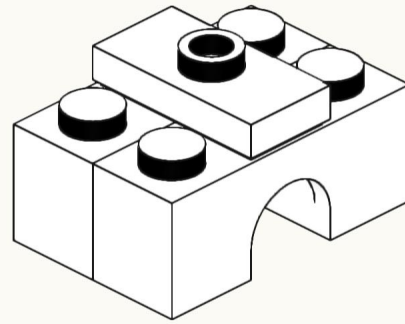


29

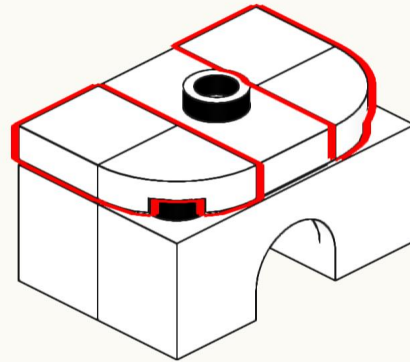




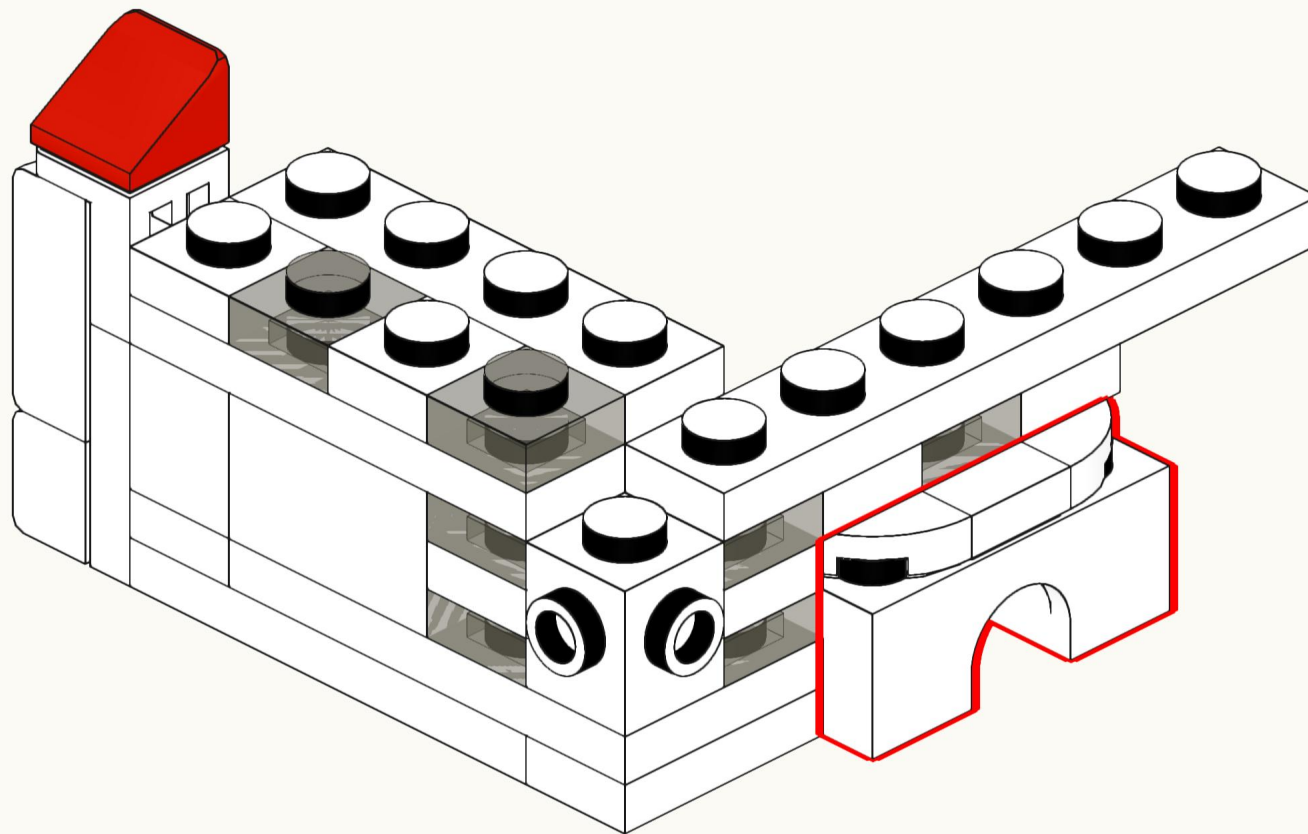
30

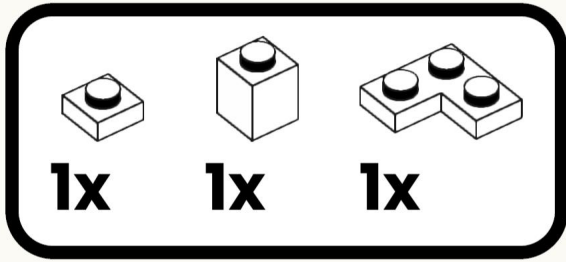


31

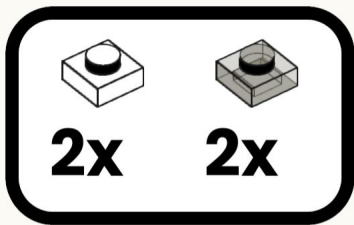
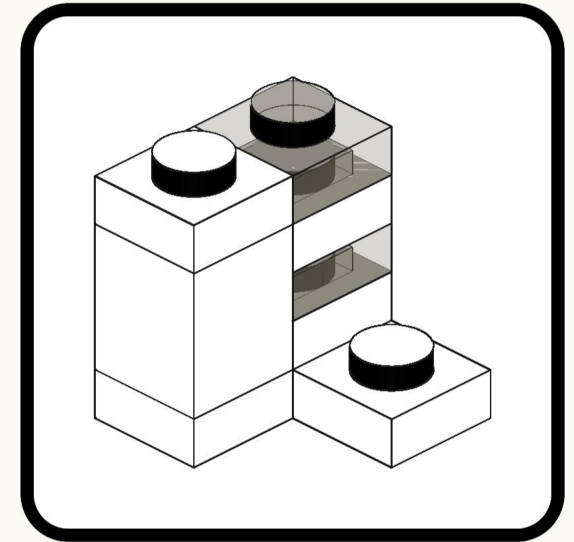
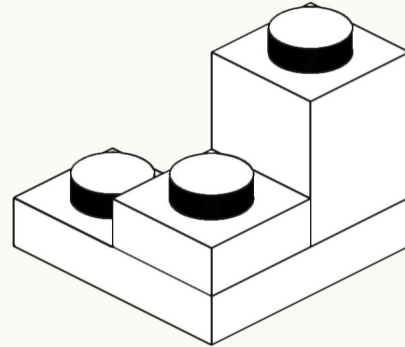


32

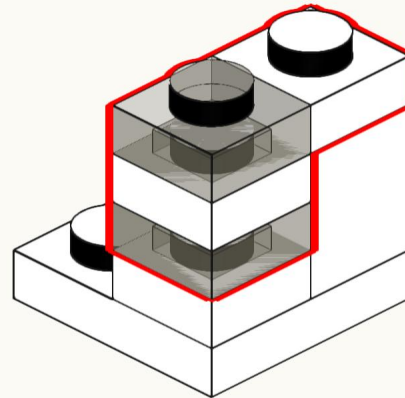




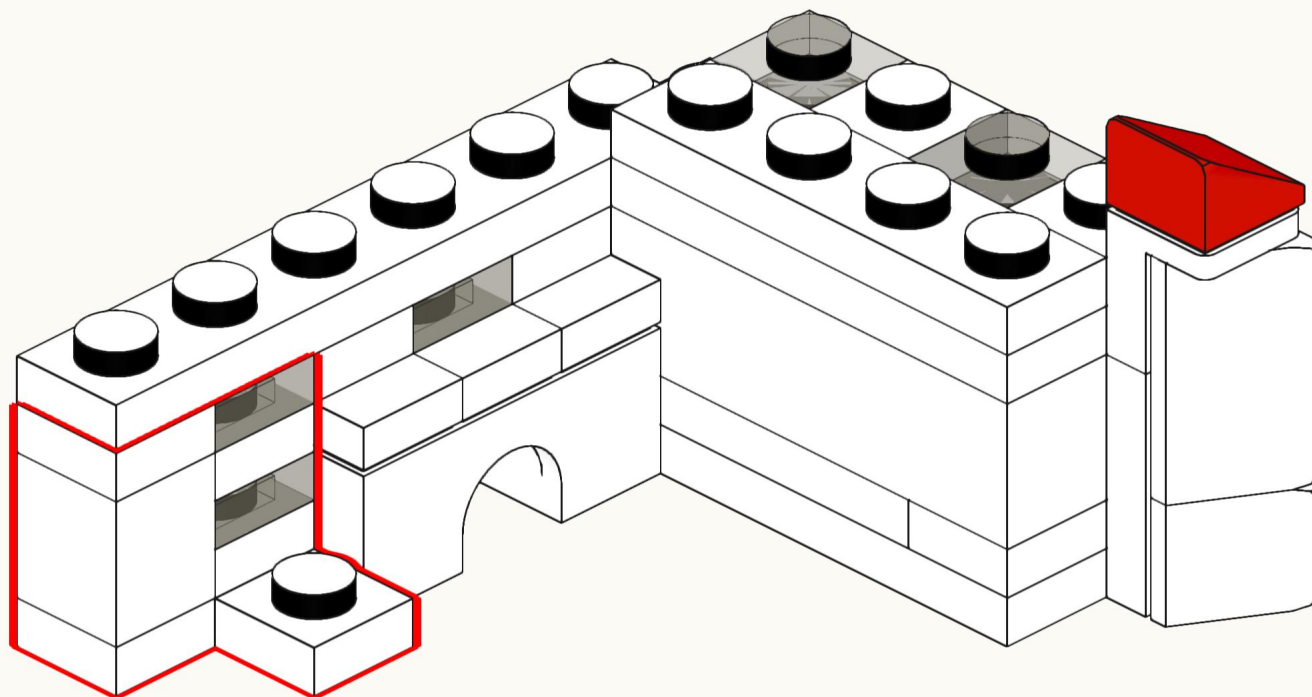
33

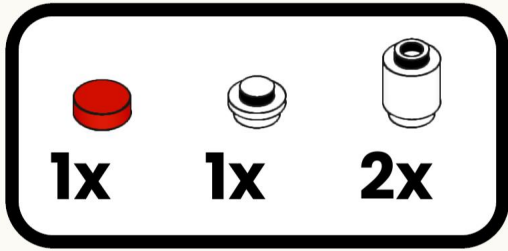


34

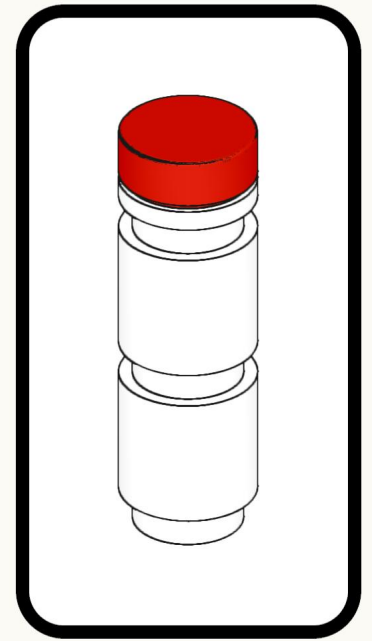
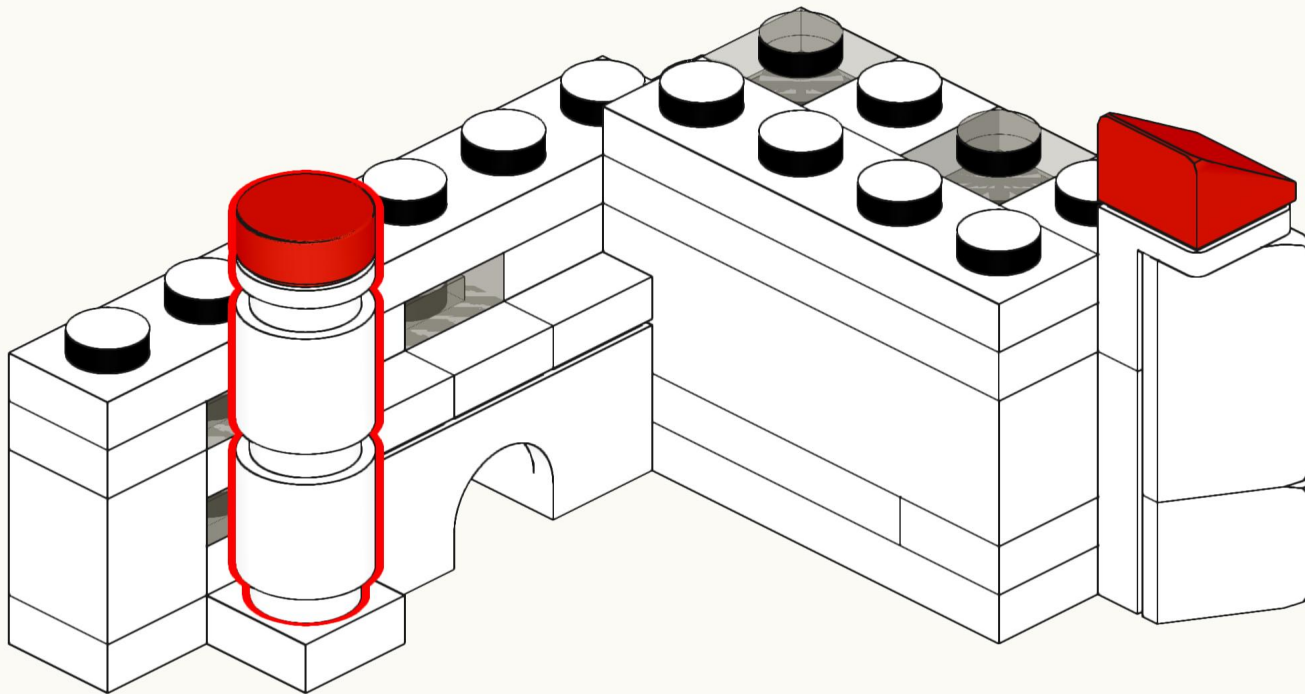


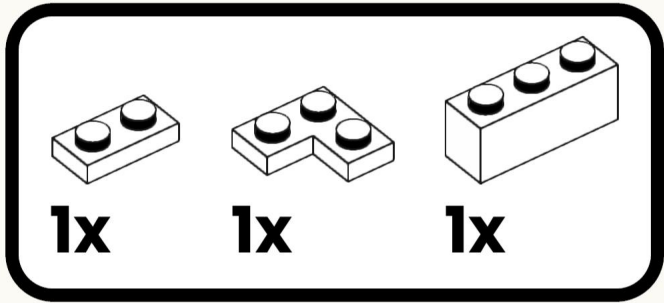
35



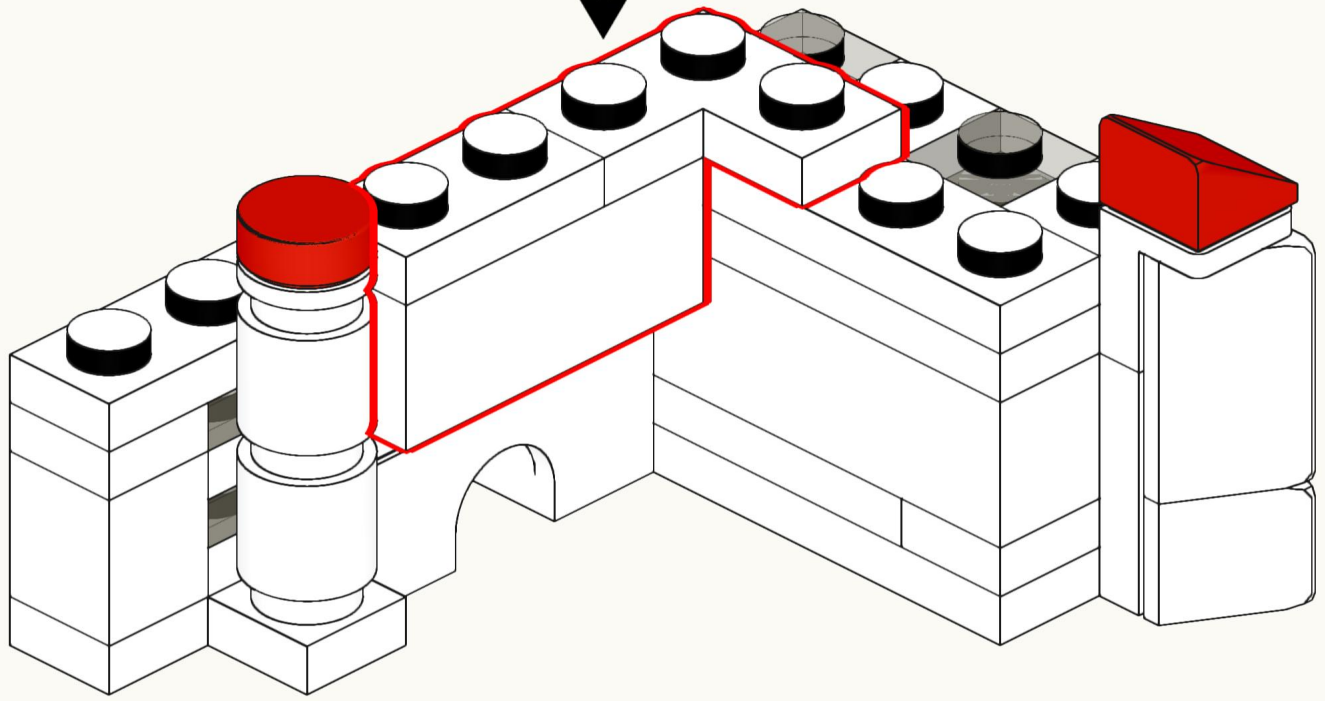
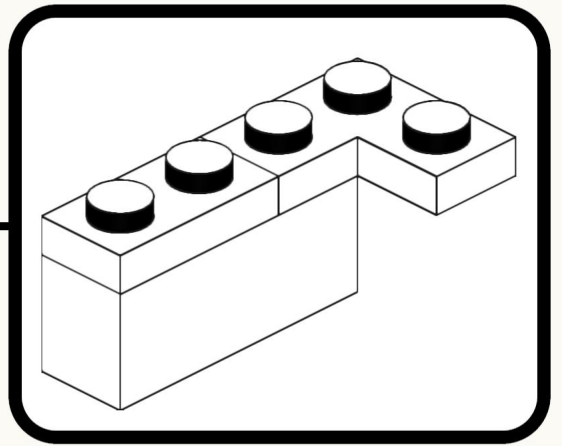


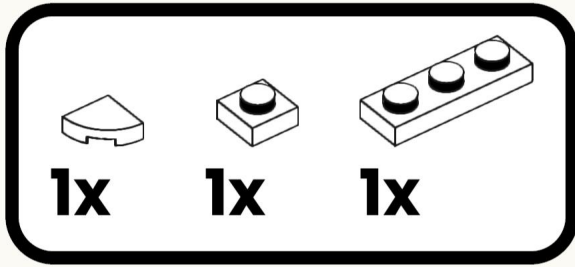
36



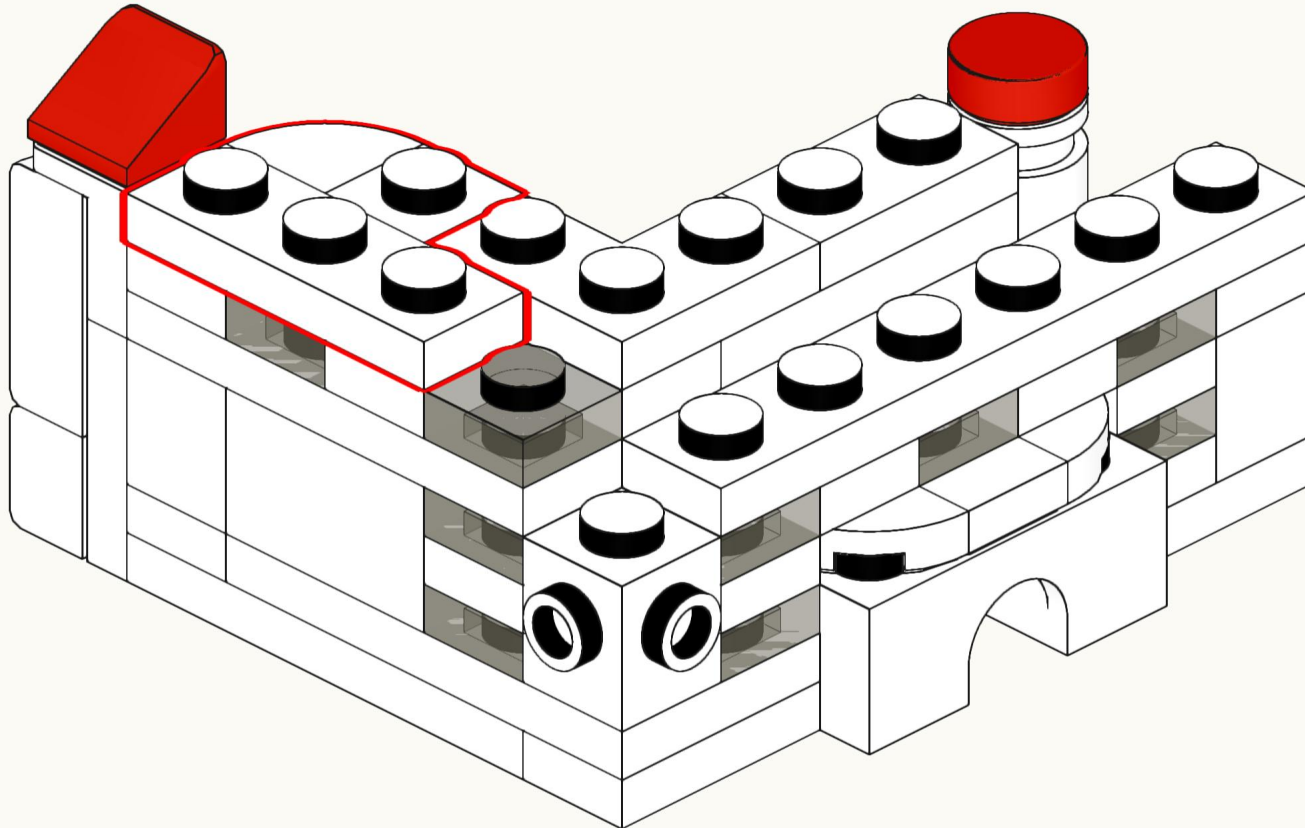


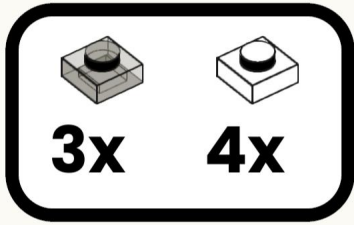
37



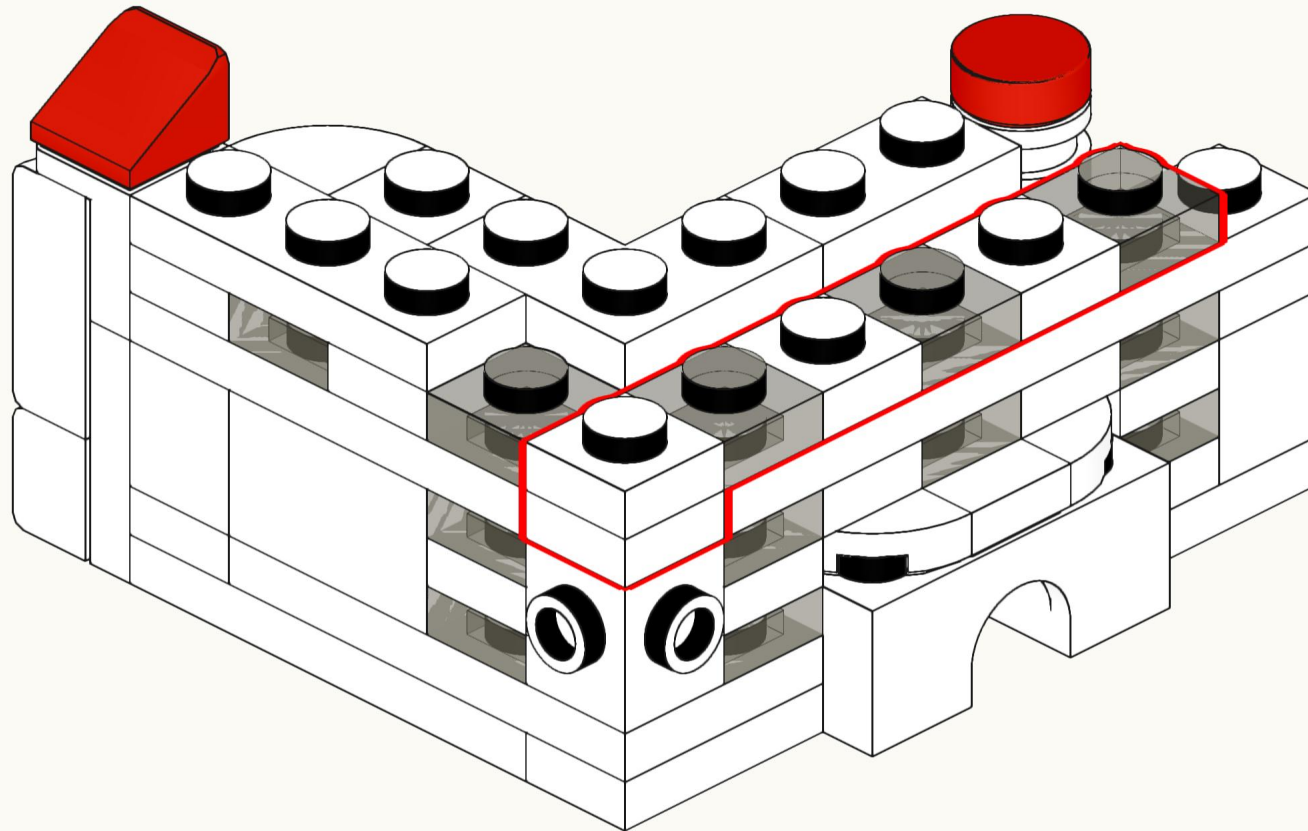


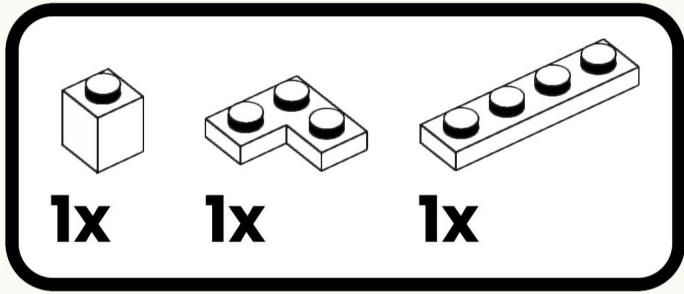
38



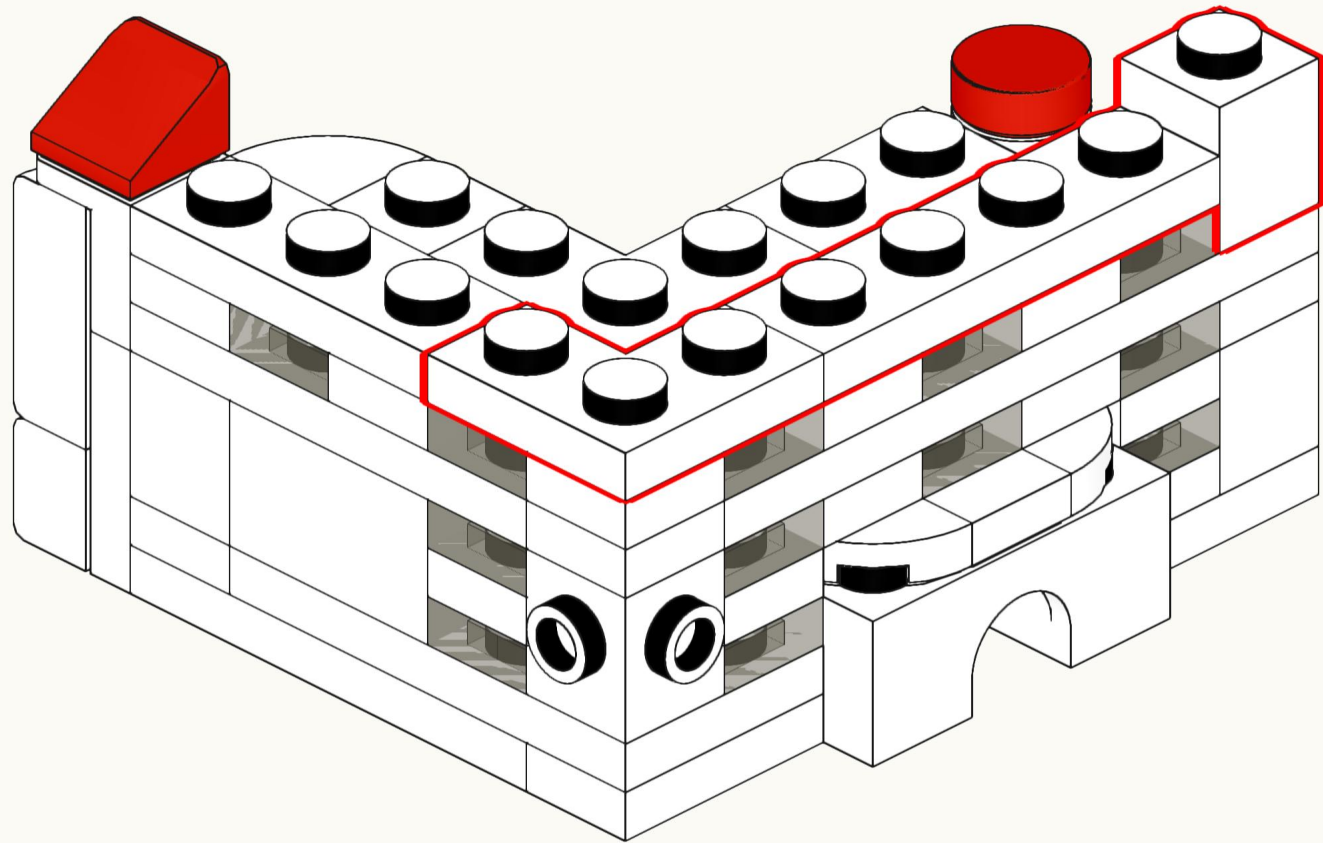


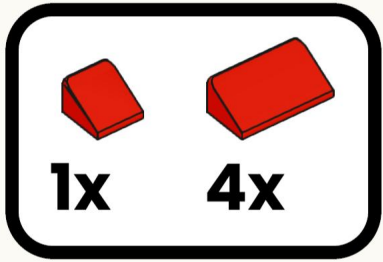
39



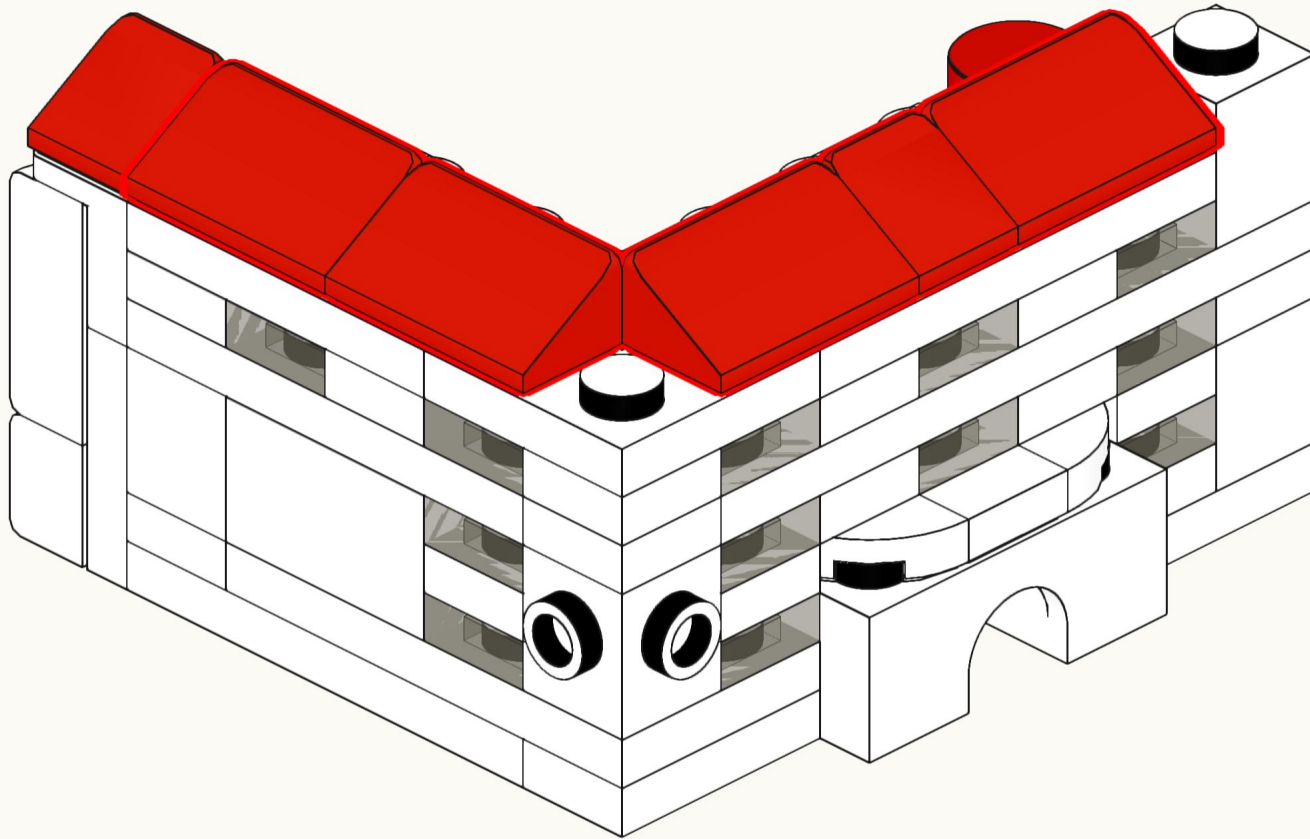


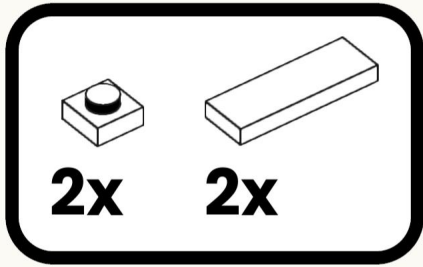
40



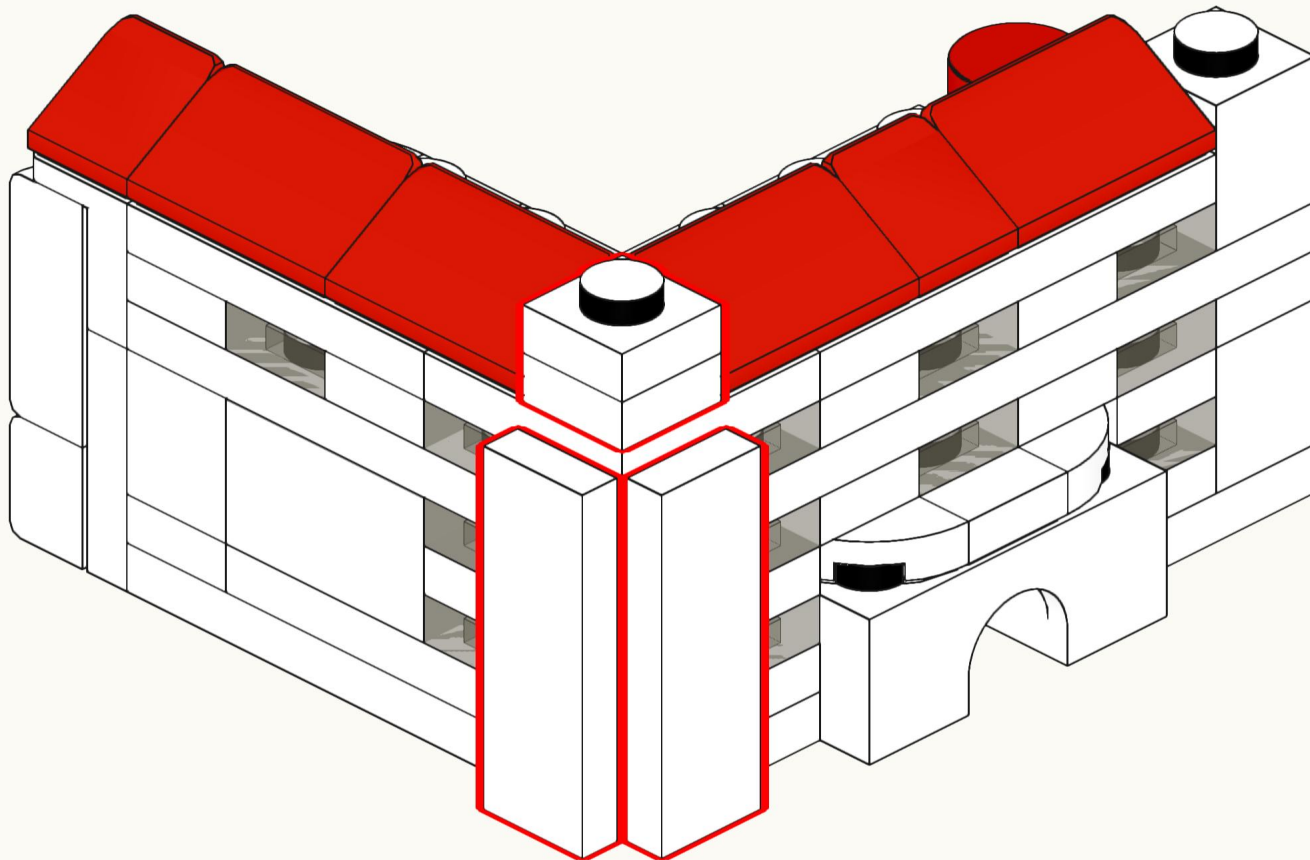


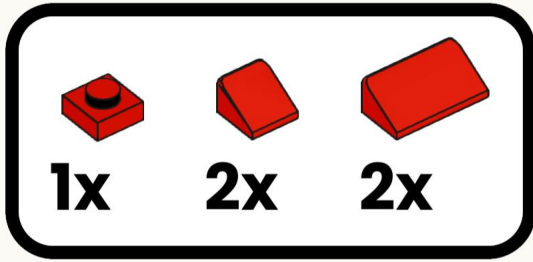
41



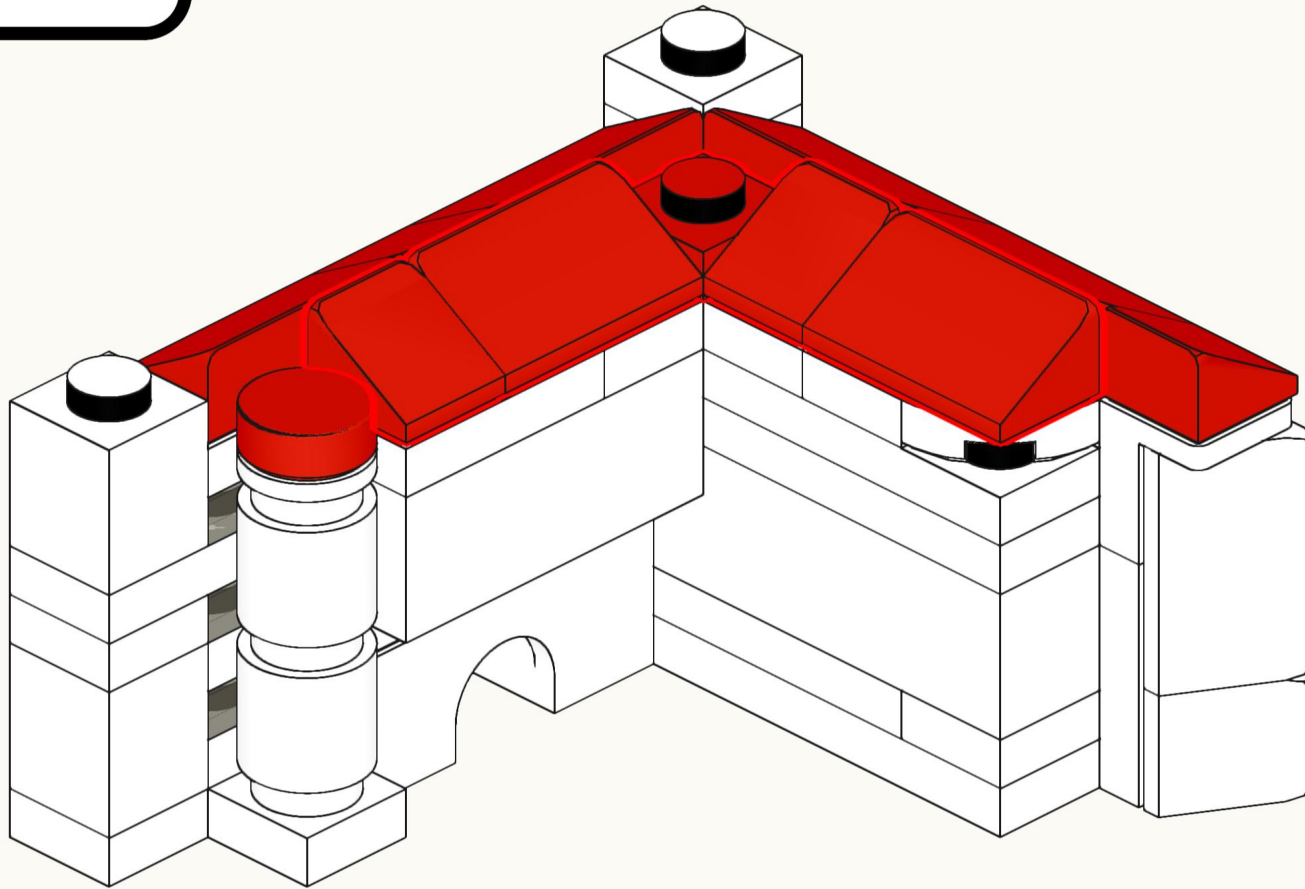


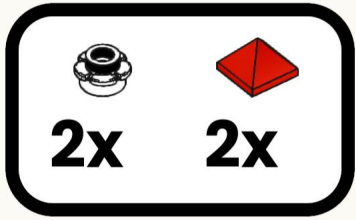
42



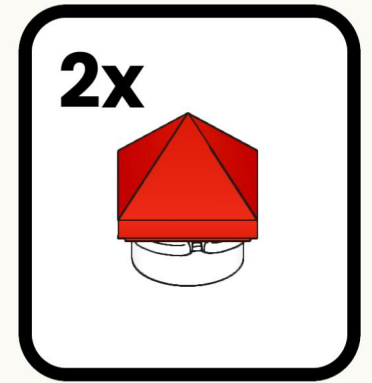
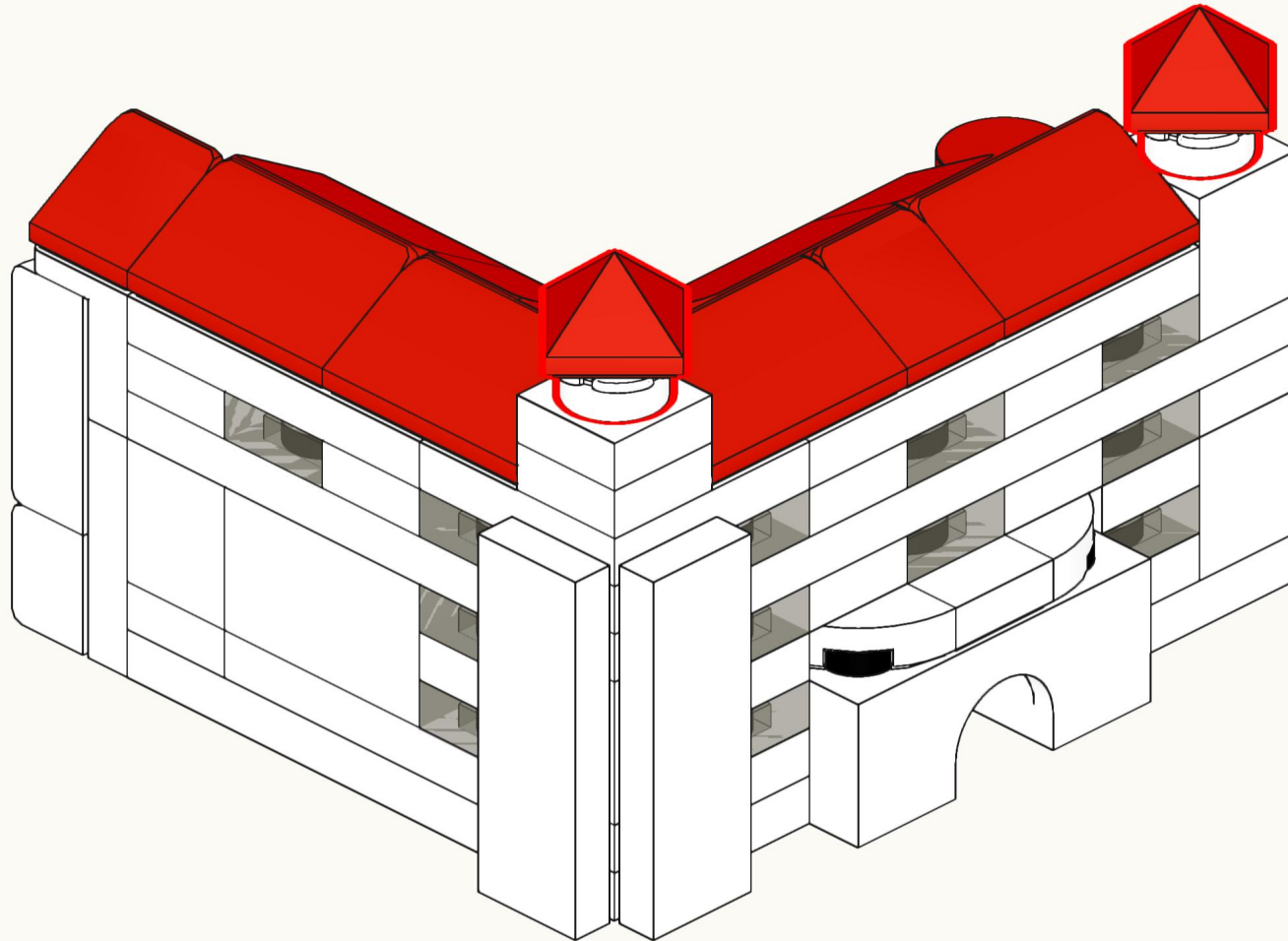


43

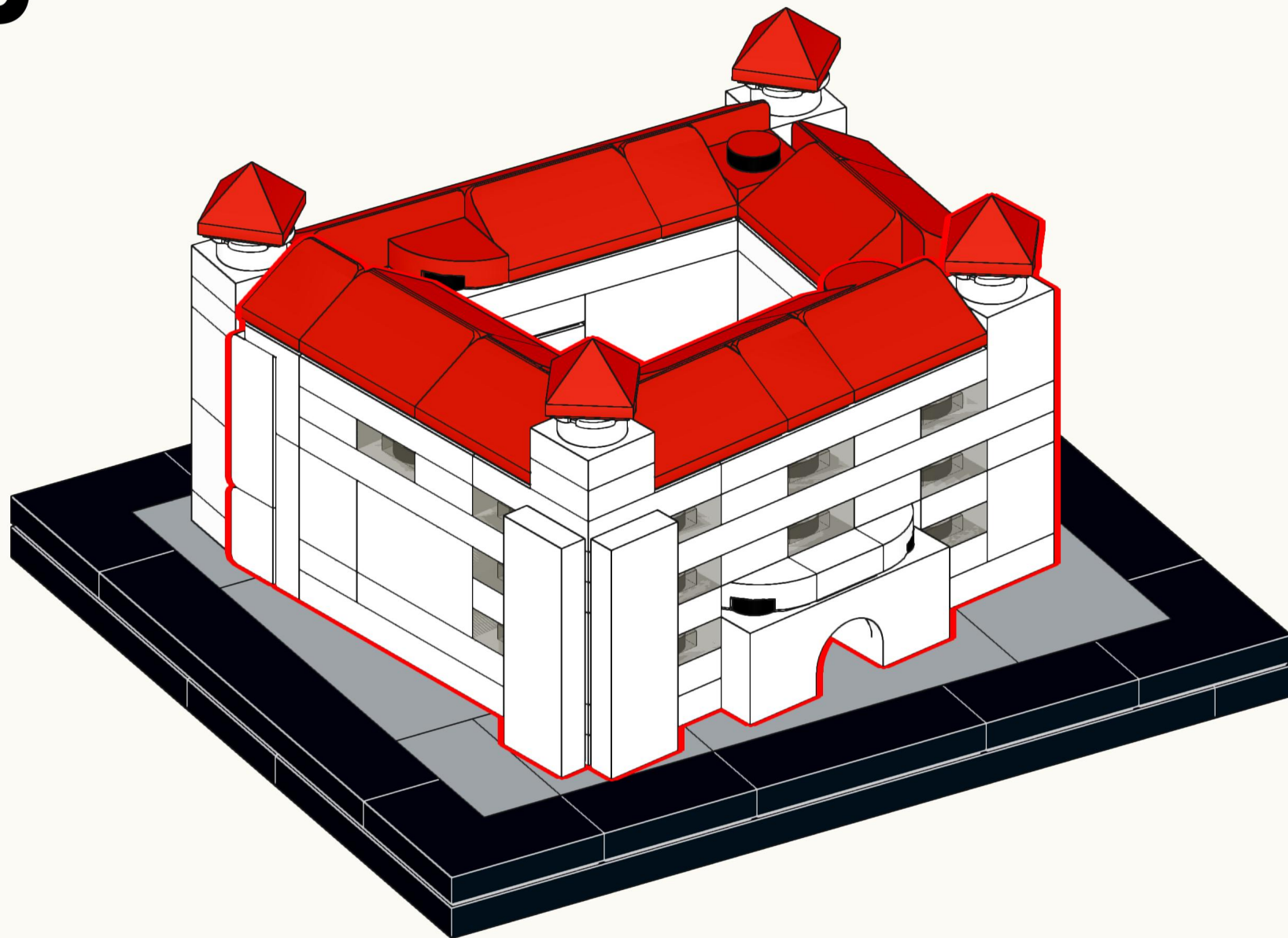


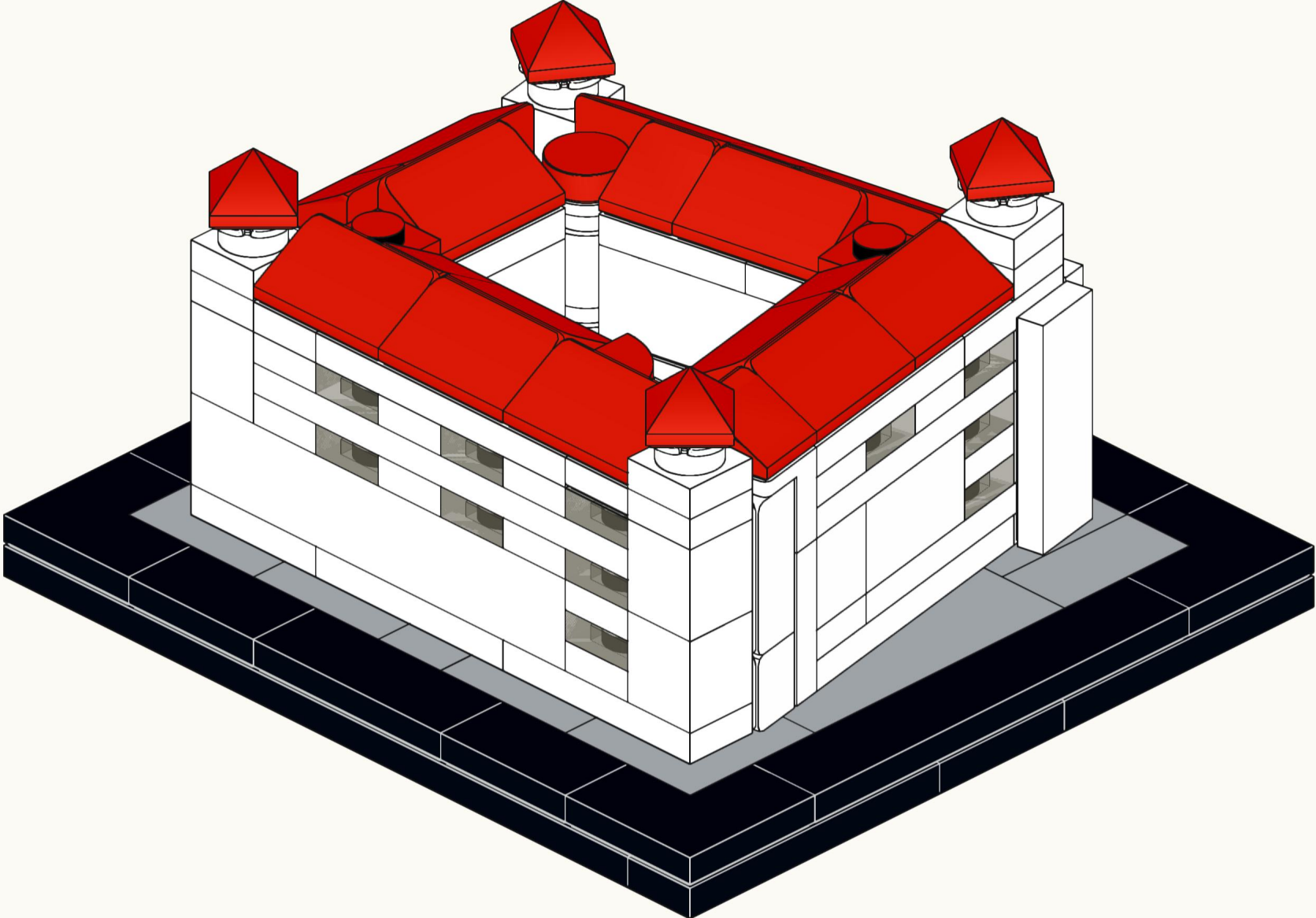


44



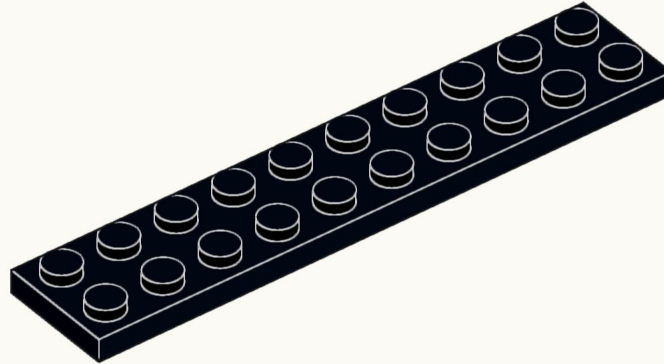
45



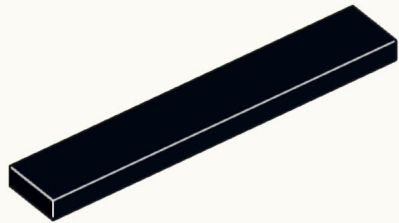




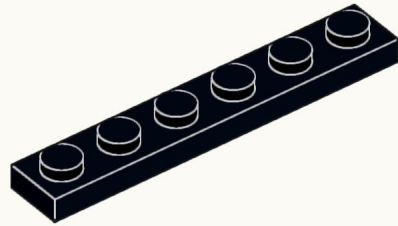
2x



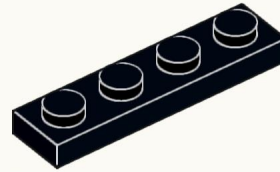
1x



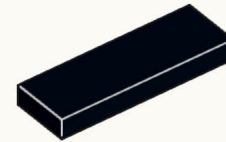
2x



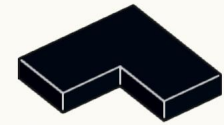
1x



1x



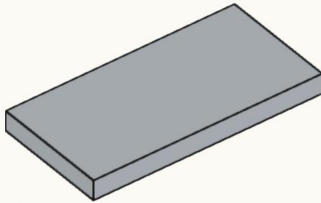
2x



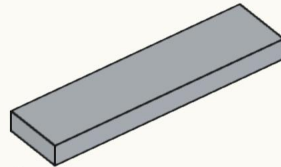
4x



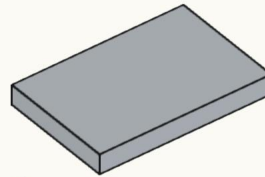
4x



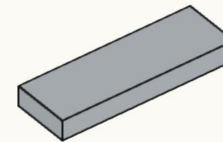
2x



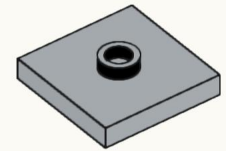
2x



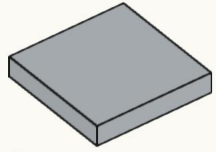
2x



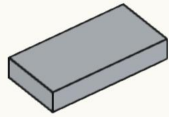
1x



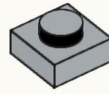
4x



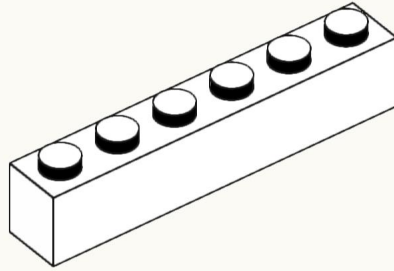
2x



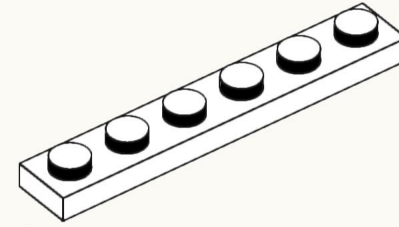
4x



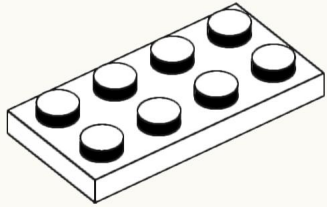
1x



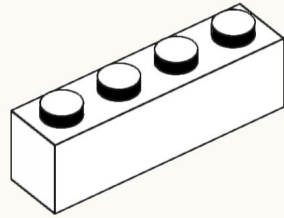
1x



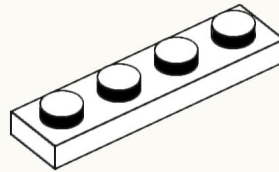
2x



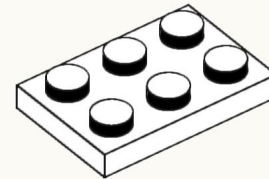
4x



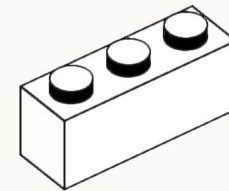
1x



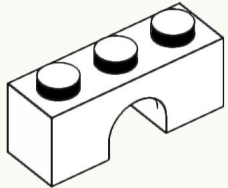
3x



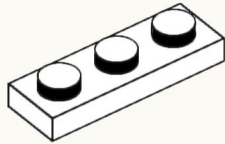
2x



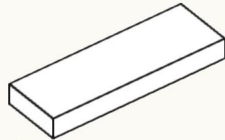
3x



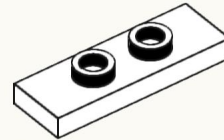
2x



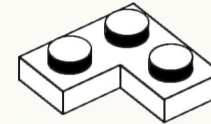
3x



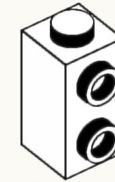
2x



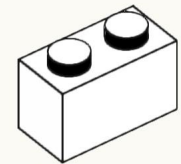
1x



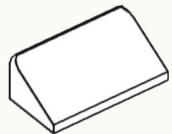
3x



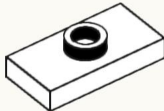
2x



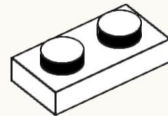
4x



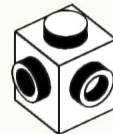
3x



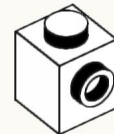
1x



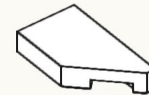
3x



1x



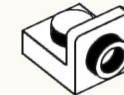
1x



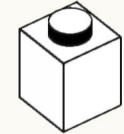
2x



2x



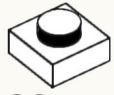
1x



5x



2x



32x



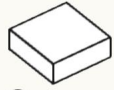
3x



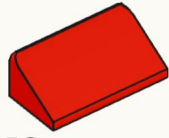
4x



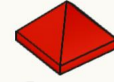
1x



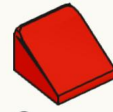
2x



12x



4x



6x



2x



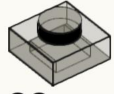
1x



1x



1x



22x

