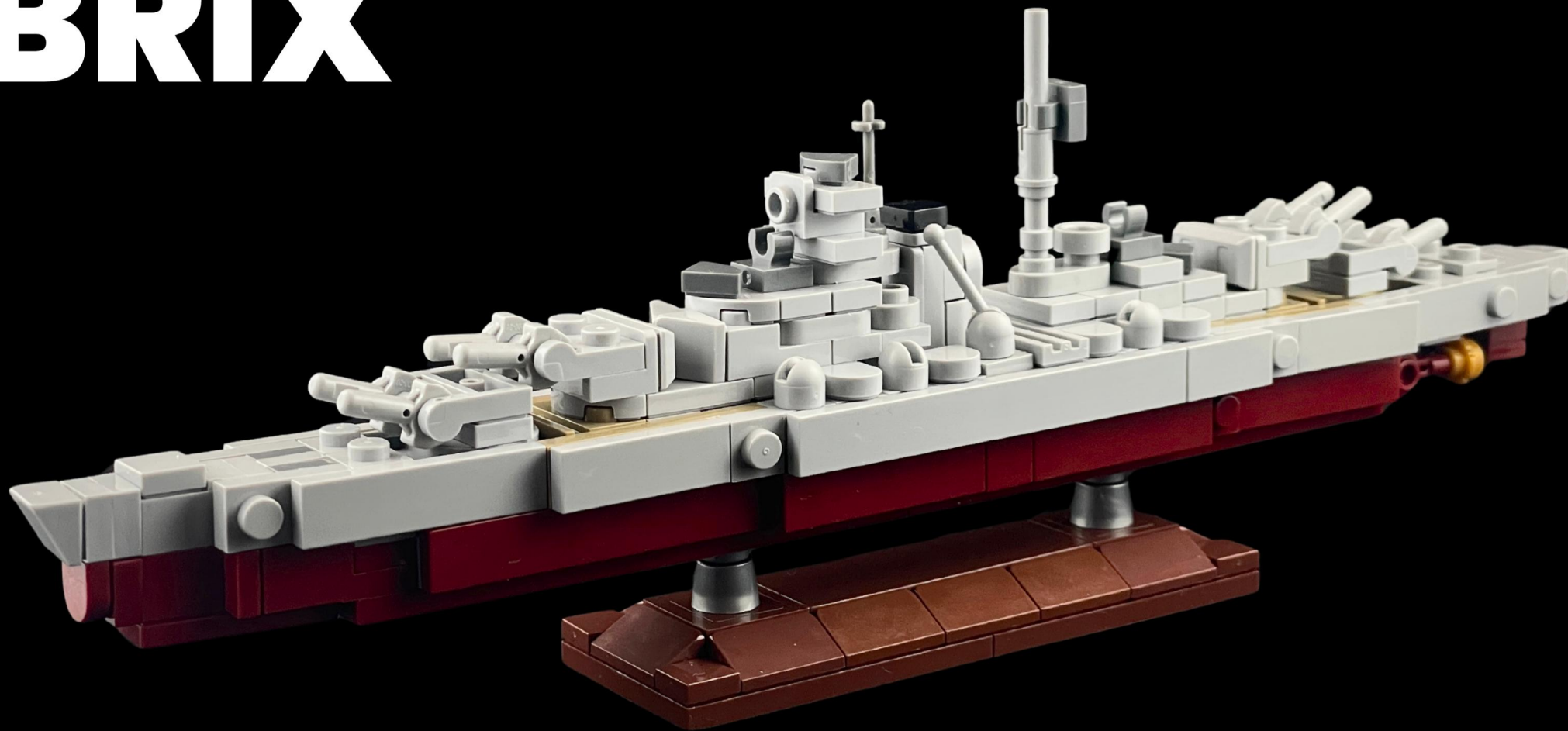


BOBBY BRIX



GB-008 | MOC #0353

BISMARCK BATTLESHIP MOC + DISPLAY STAND

MODEL #0353B	UNITS	WIDTH	LENGTH	HEIGHT
1:1000 SCALE	STUDS	4.4	31.2	10.6
256 PARTS + SPARES	INCHES	1.4	9.8	3.3
DESIGNED IN 2026	CENTIMETERS	3.5	24.9	8.5

This My Own Creation (MOC) is an original design and product by BOBBY BRIX.

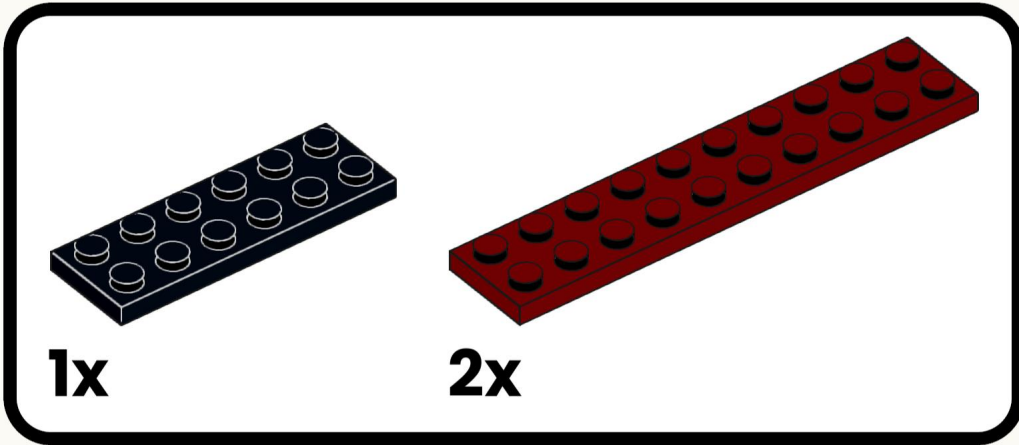
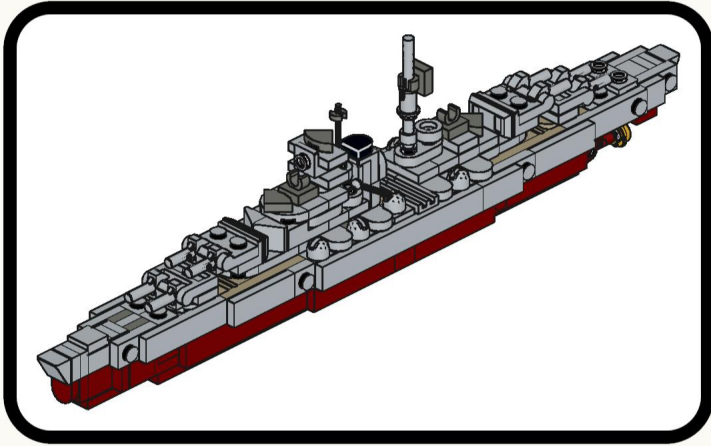
- Usage: For personal and non-commercial use only. Redistribution or reselling without permission is prohibited.
- Attribution: You may reuse, remix, or adapt this product with proper credit to the creator and original design.
- Ownership: All designs, images, and materials are owned by BOBBY BRIX & The Bobby Brix Channel unless stated otherwise.

For inquiries about public display, commercial use, or resale, please contact BOBBY BRIX.

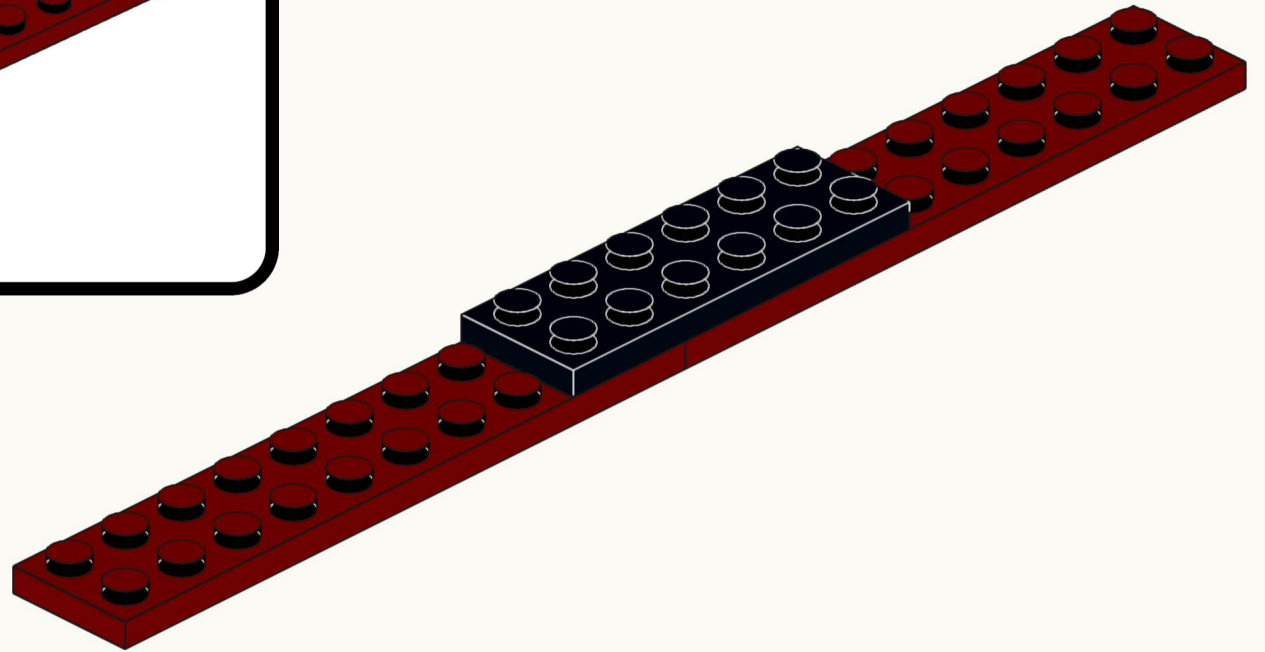
Bismarck was the lead ship of her class and one of the most powerful battleships ever built by Germany's Kriegsmarine. Launched in **1939** and named after Chancellor Otto von Bismarck, she was designed for high speed, heavy armour, and overwhelming firepower.

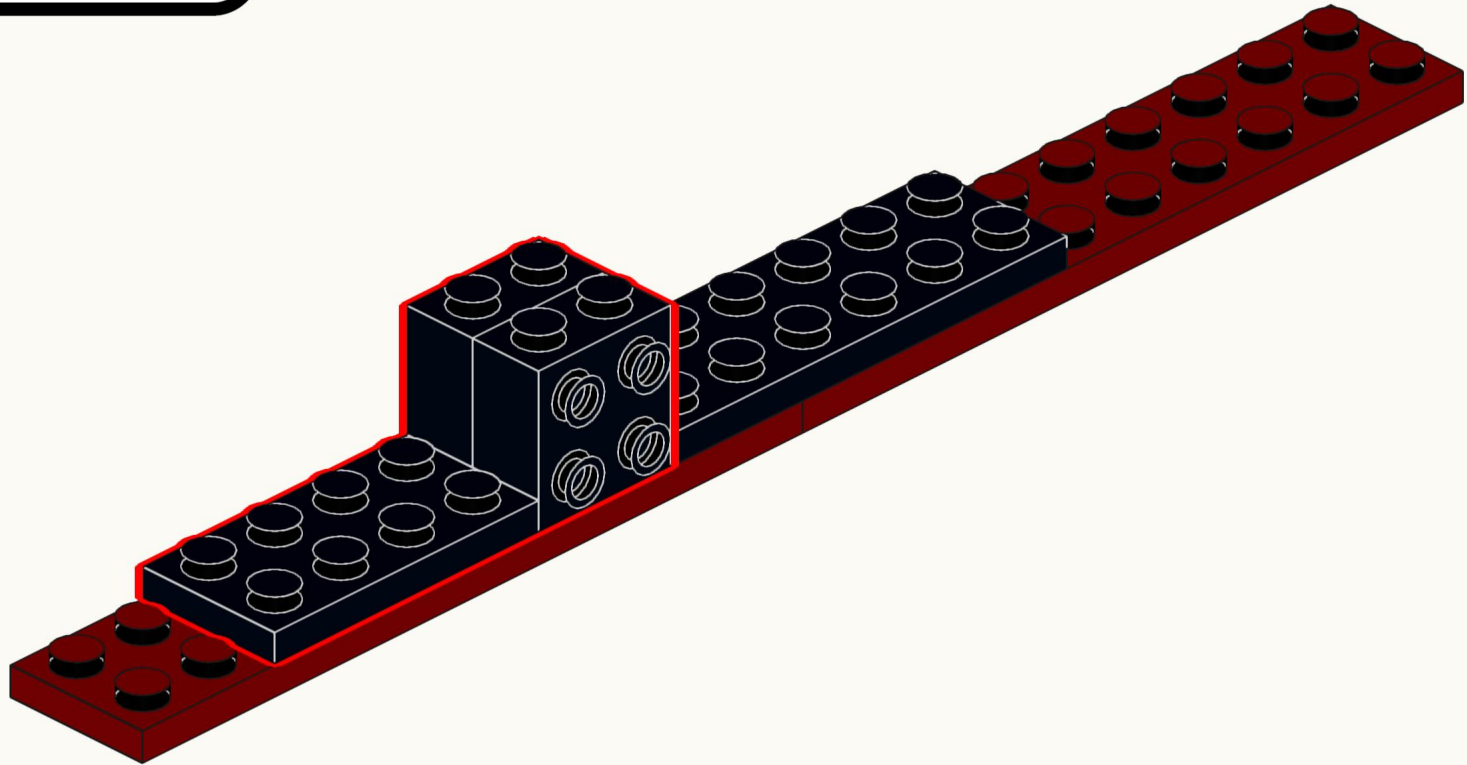
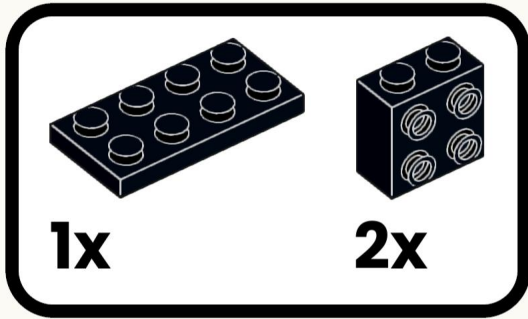
Her first and only major mission - **Operation Rheinübung** in May 1941 - aimed to disrupt Allied shipping in the Atlantic. During this sortie, Bismarck engaged the British battlecruiser **HMS Hood**, detonating its magazine and sinking it within minutes. The loss of Hood triggered one of the largest naval pursuits in history.

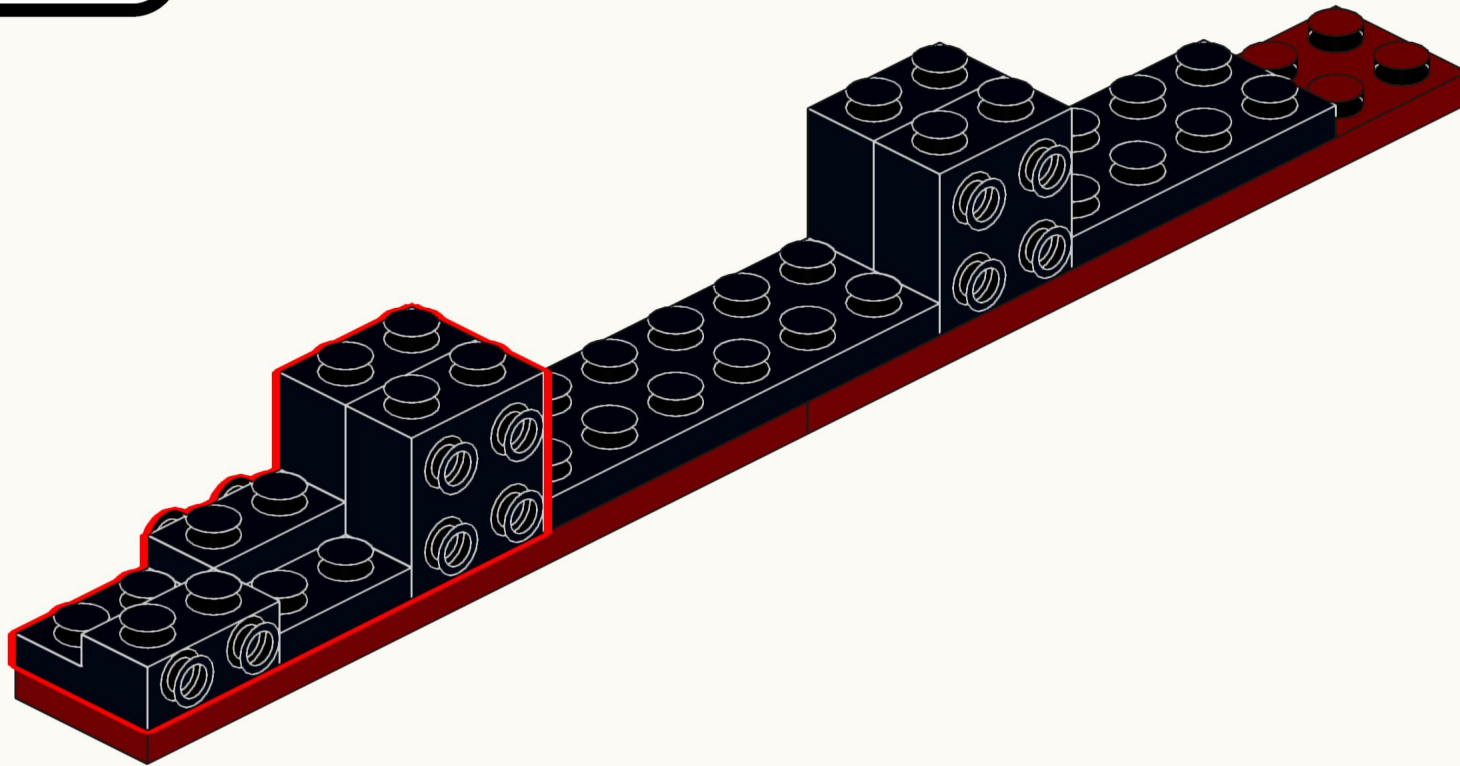
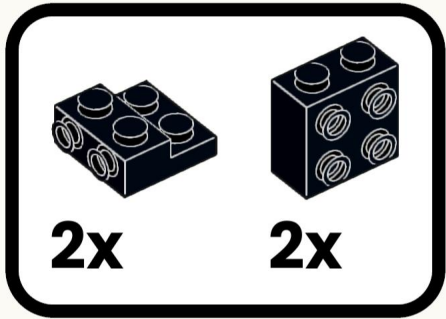
Hunted relentlessly by the Royal Navy, Bismarck was crippled by aircraft-launched torpedoes from **HMS Ark Royal**, which jammed her rudder and left her unable to manoeuvre. Surrounded at dawn on **27 May 1941**, she faced concentrated gunfire from **HMS Rodney** and **HMS King George V** before being finished off by torpedoes.



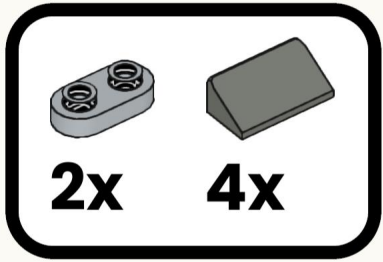
1



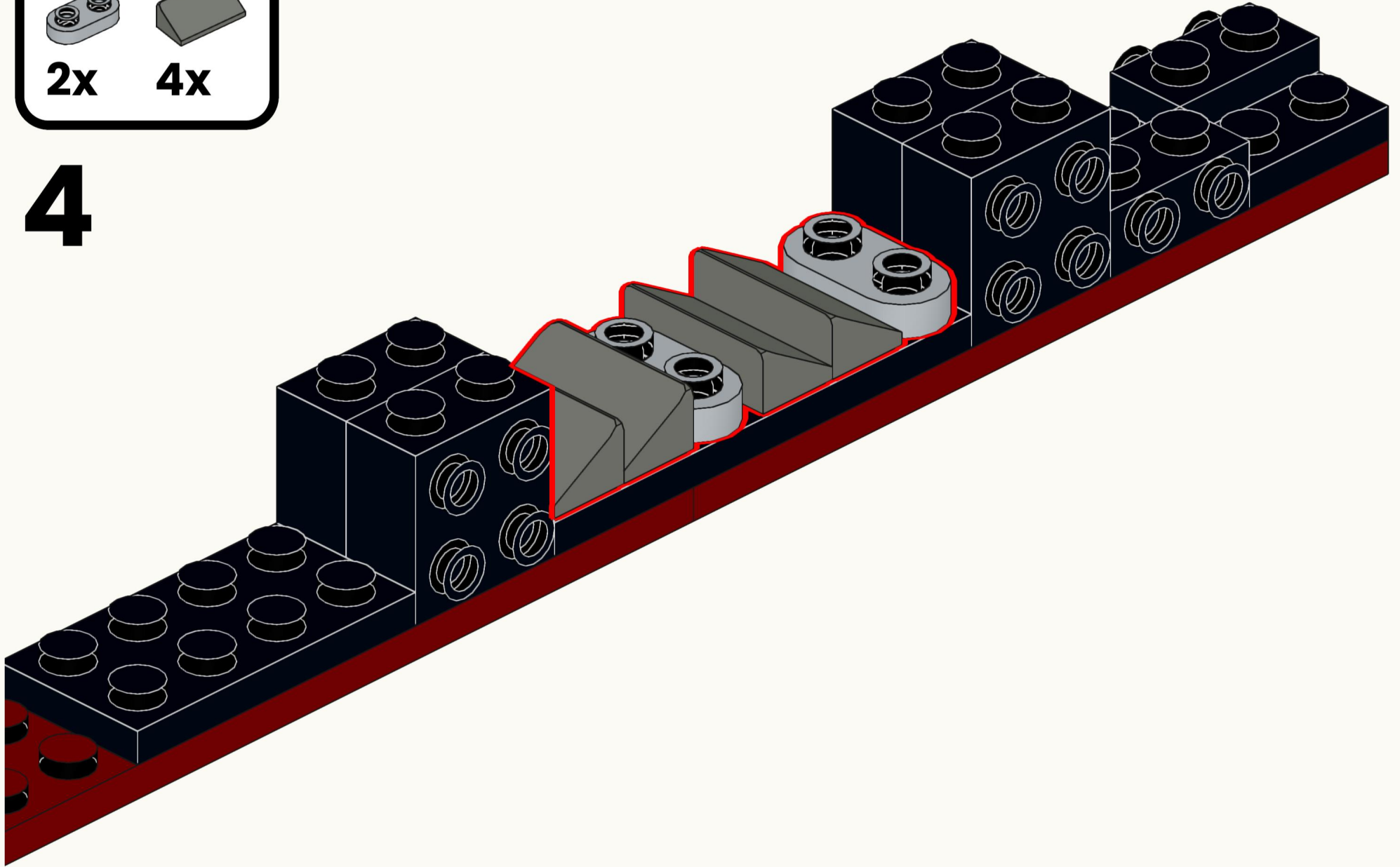


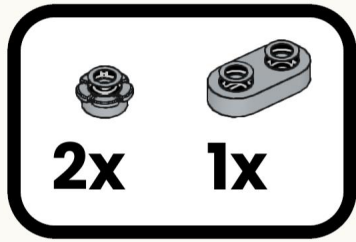


Bismarck's hull was 90% welded construction and divided into 22 watertight compartments, with a double bottom running along 83% of the ship's length.

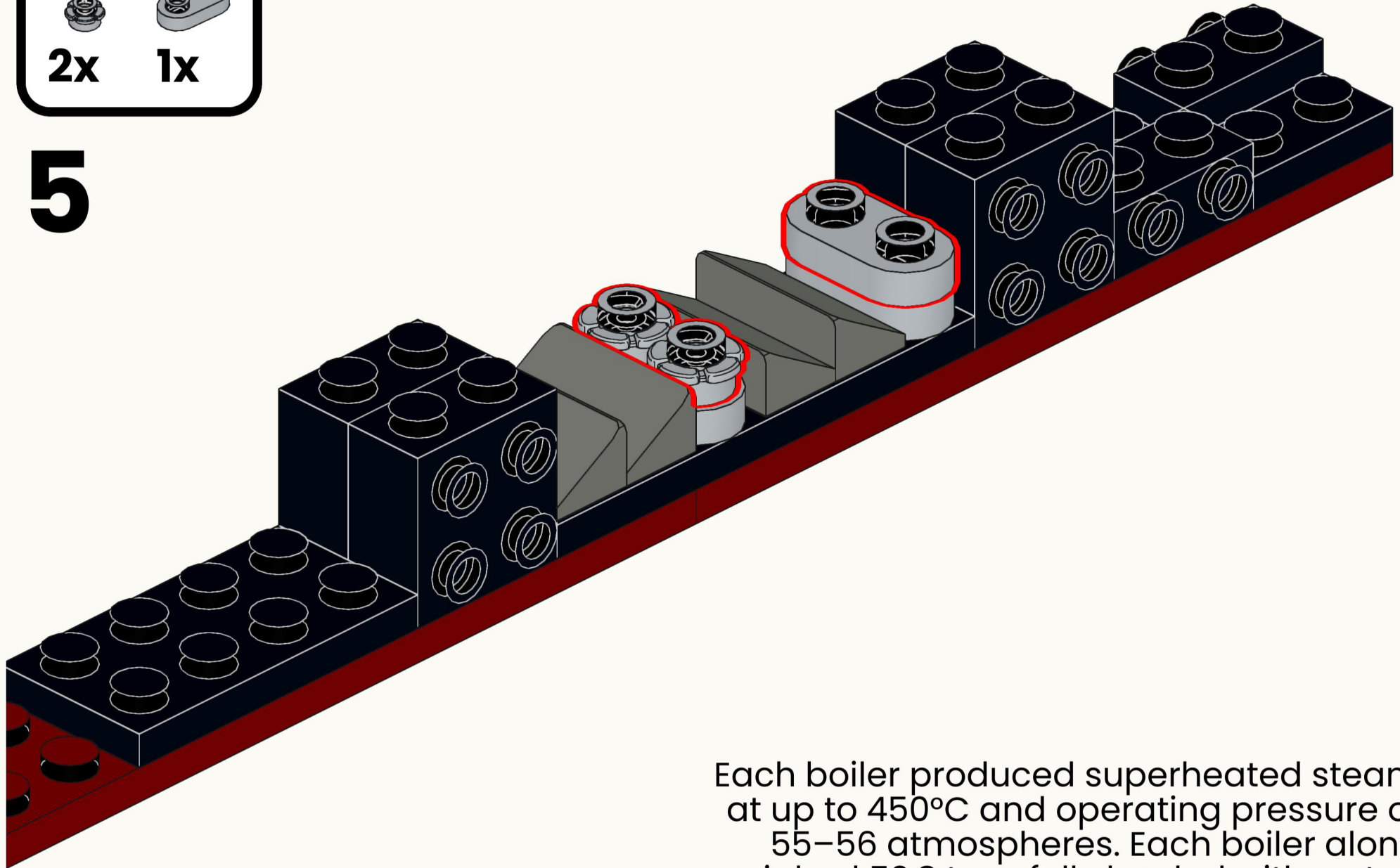


4









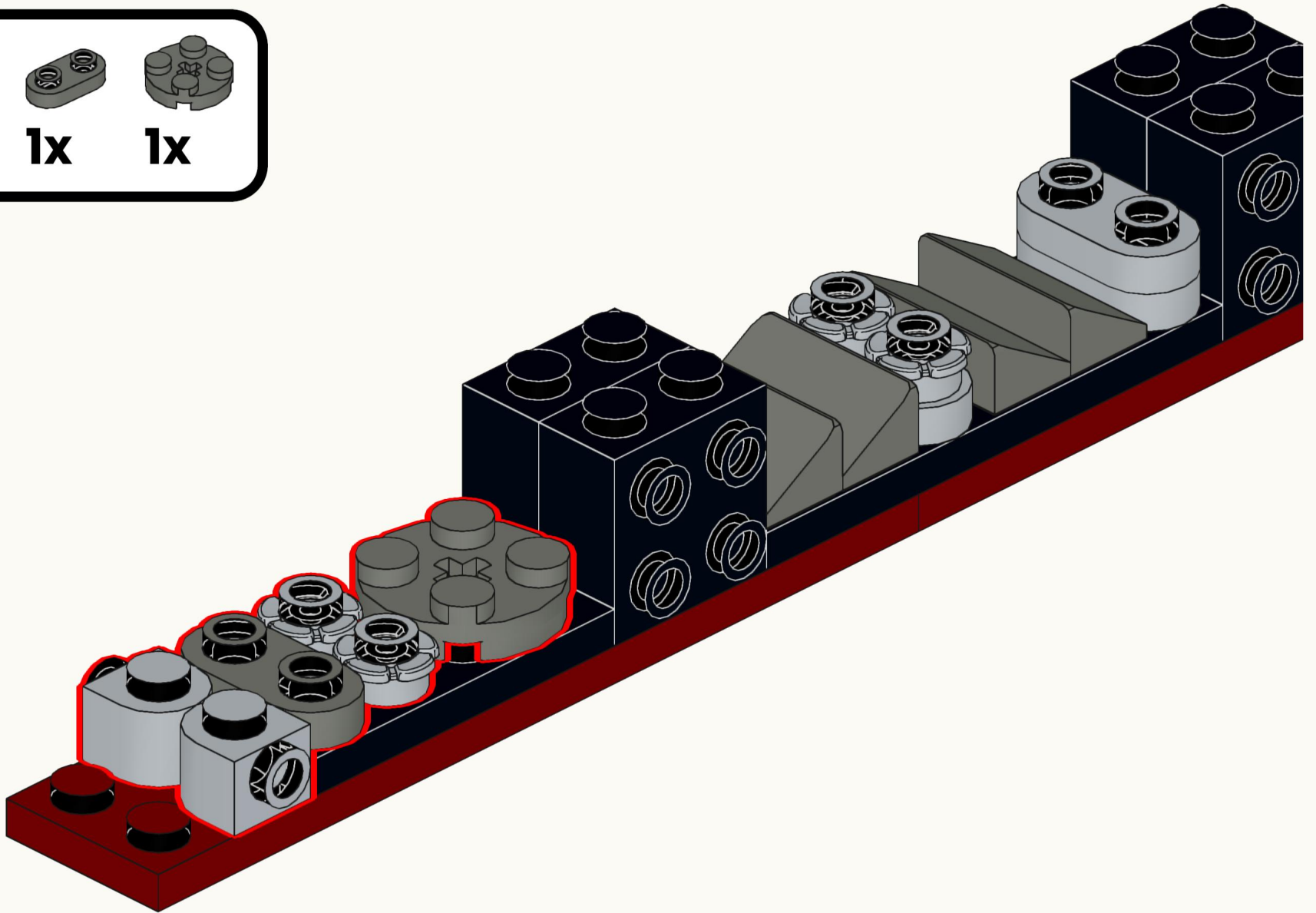
5

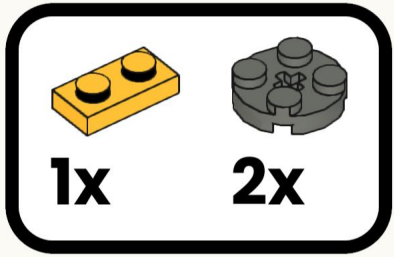


Each boiler produced superheated steam at up to 450°C and operating pressure of 55–56 atmospheres. Each boiler alone weighed 52.8 tons fully loaded with water!

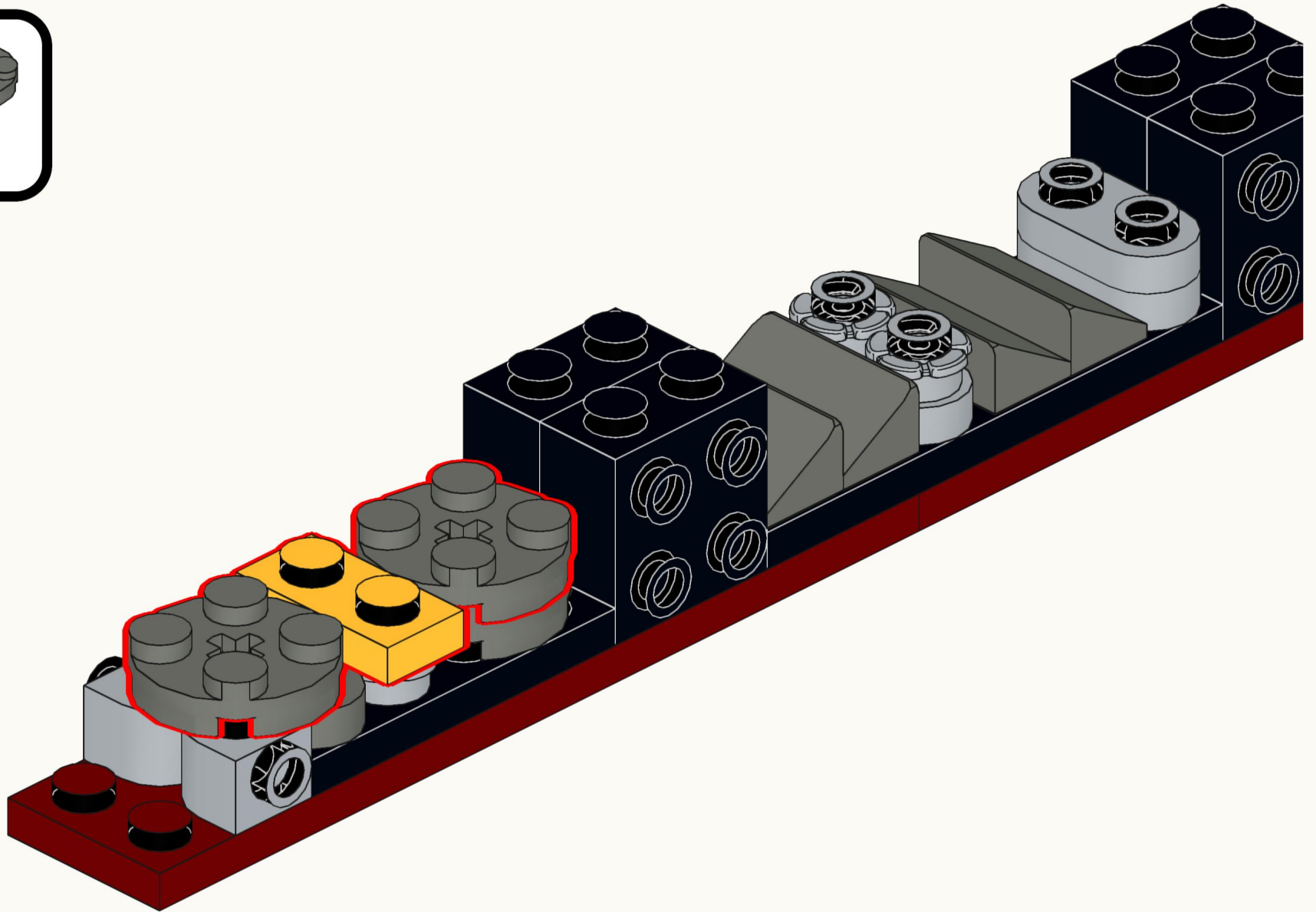
			
2x	2x	1x	1x

6



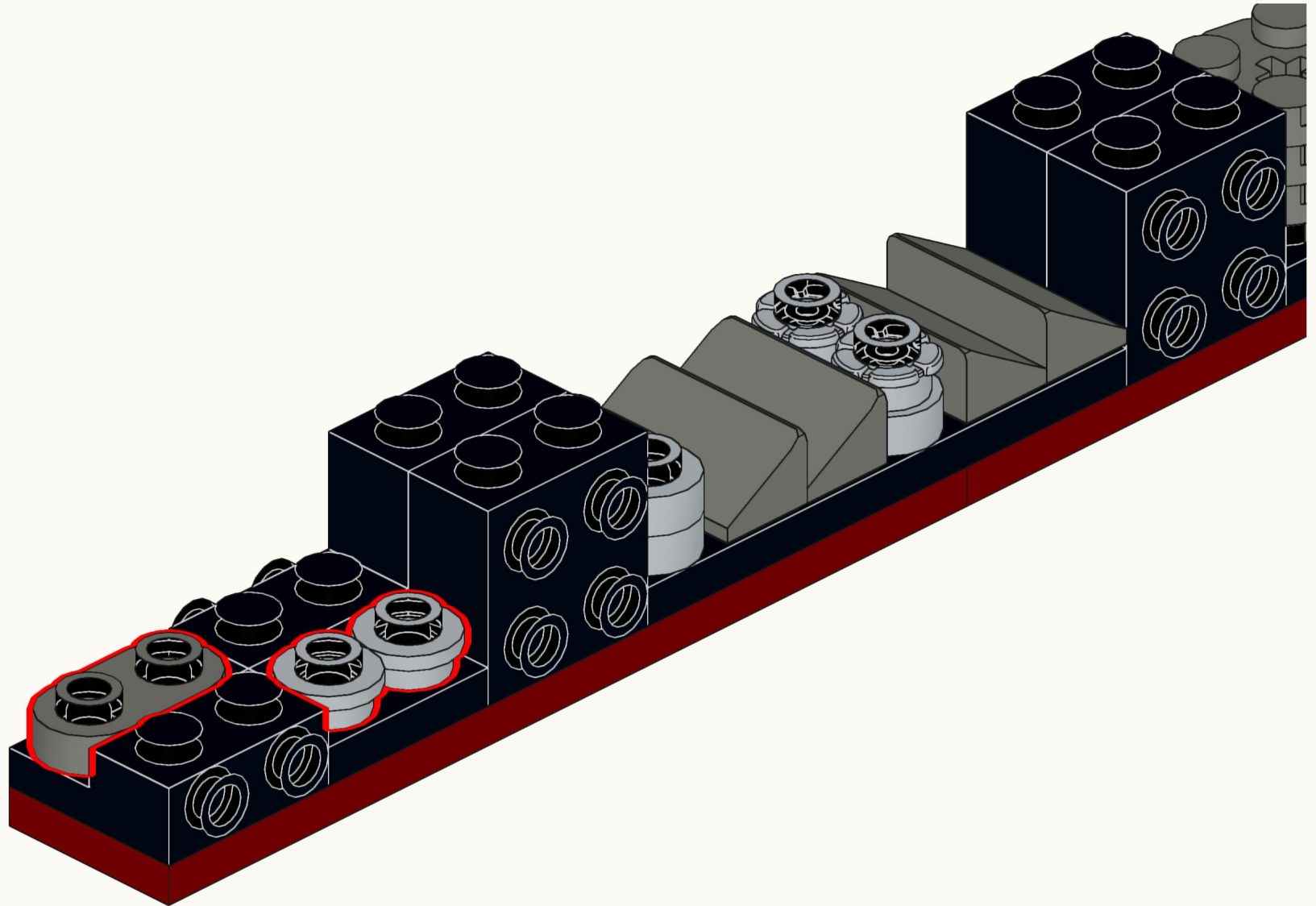


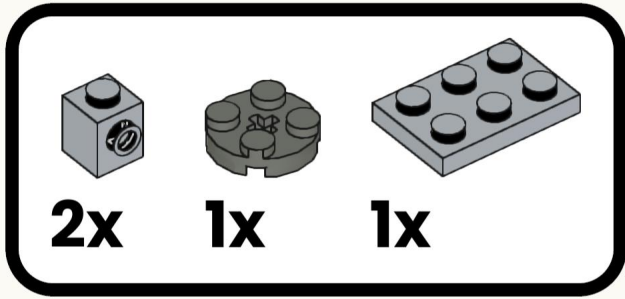
7



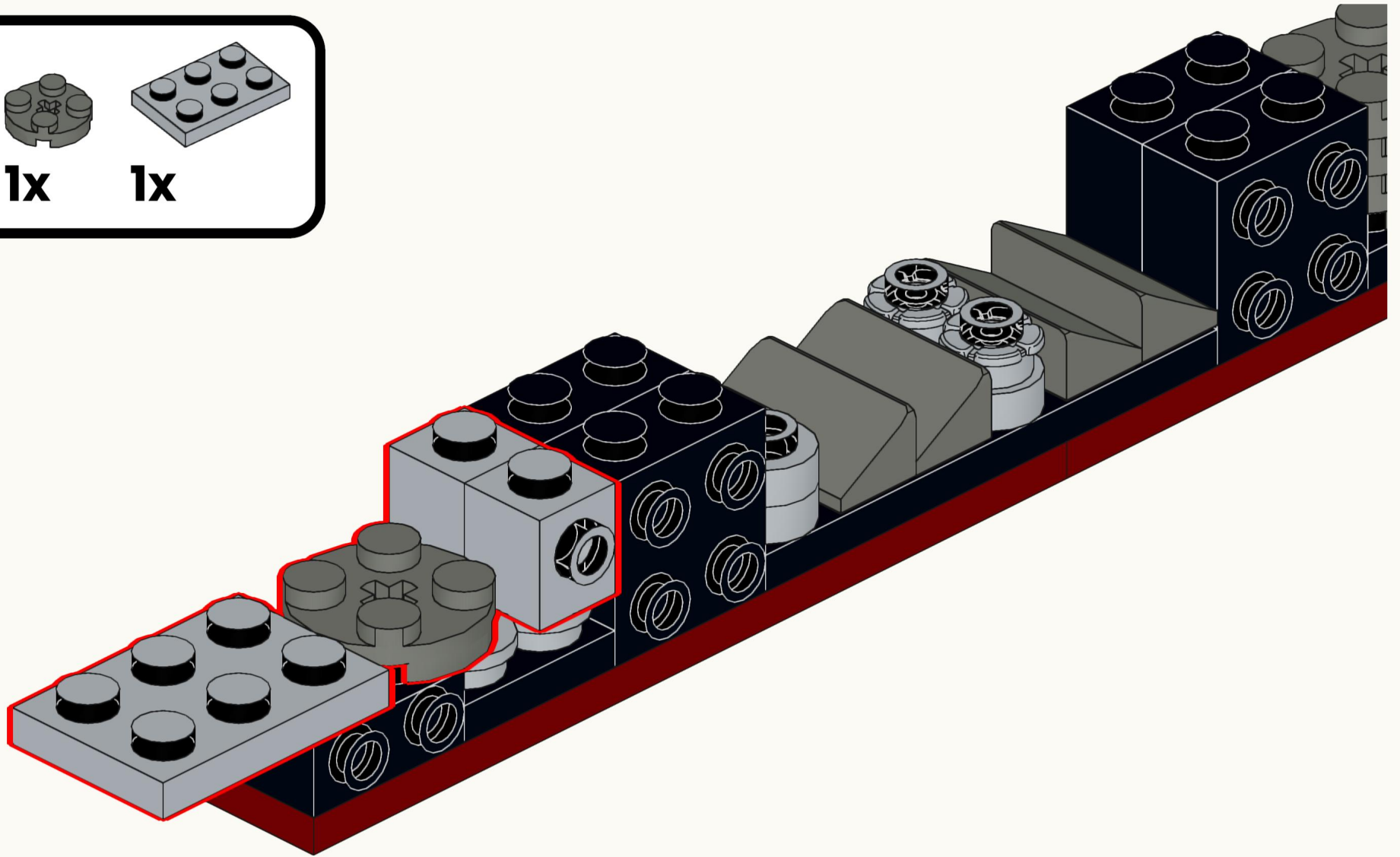
2x 1x

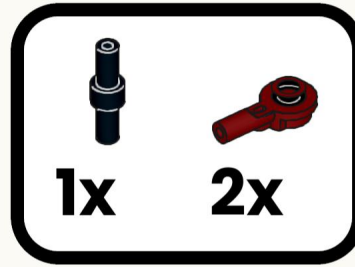
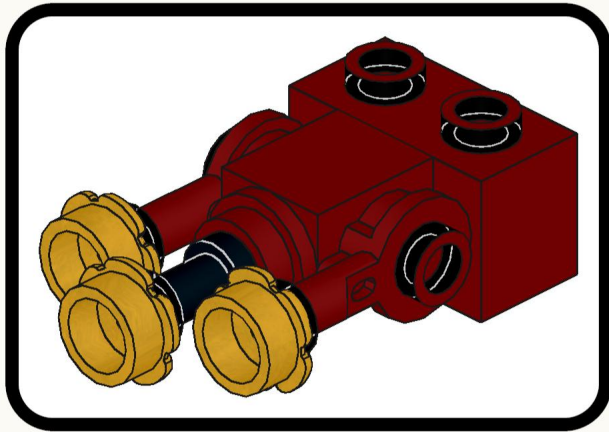
9



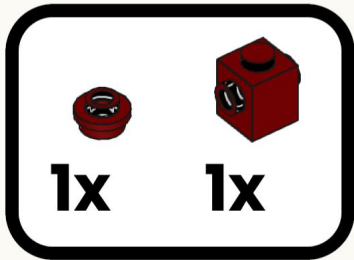


10

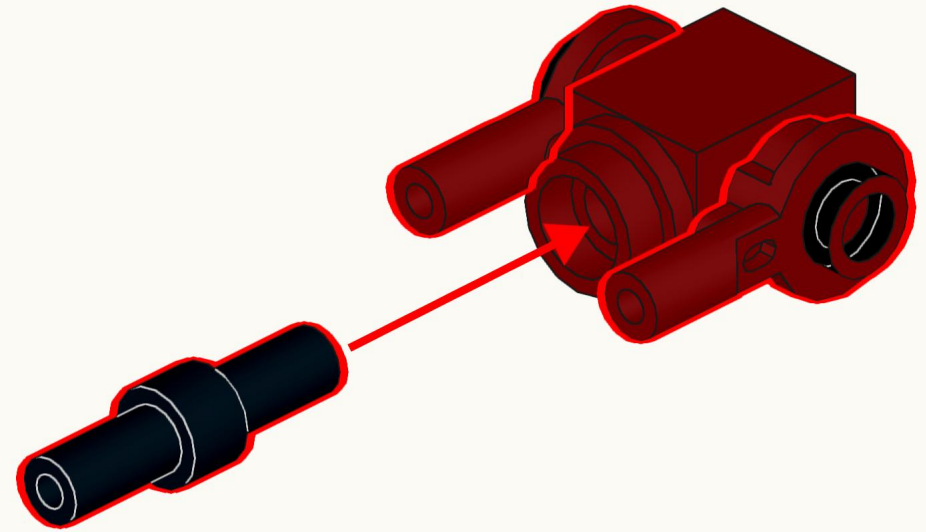
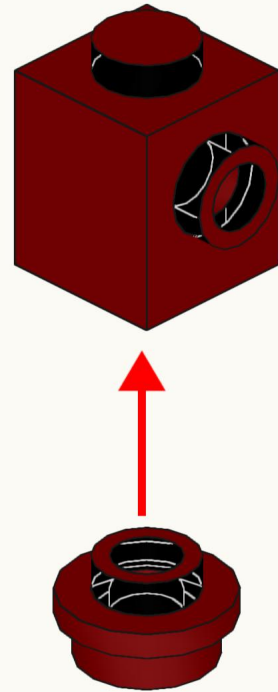




13

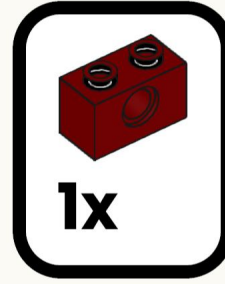
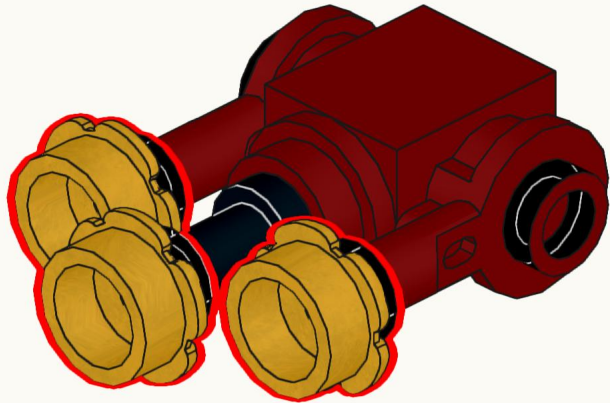


12

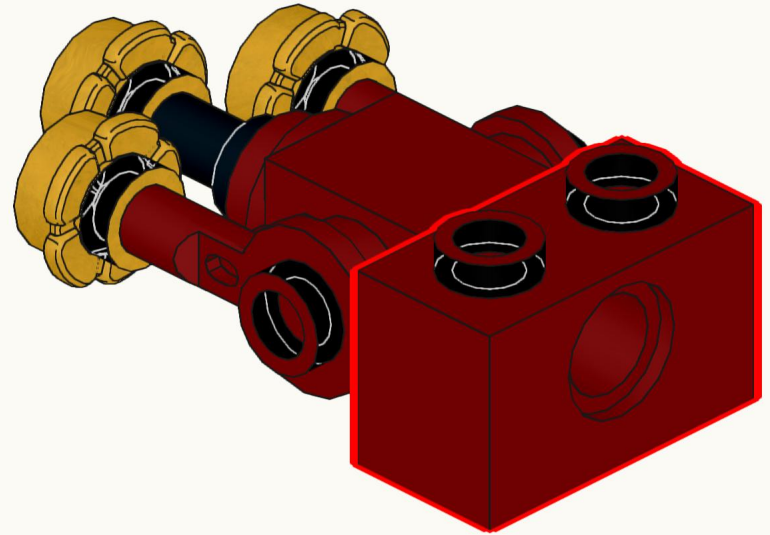




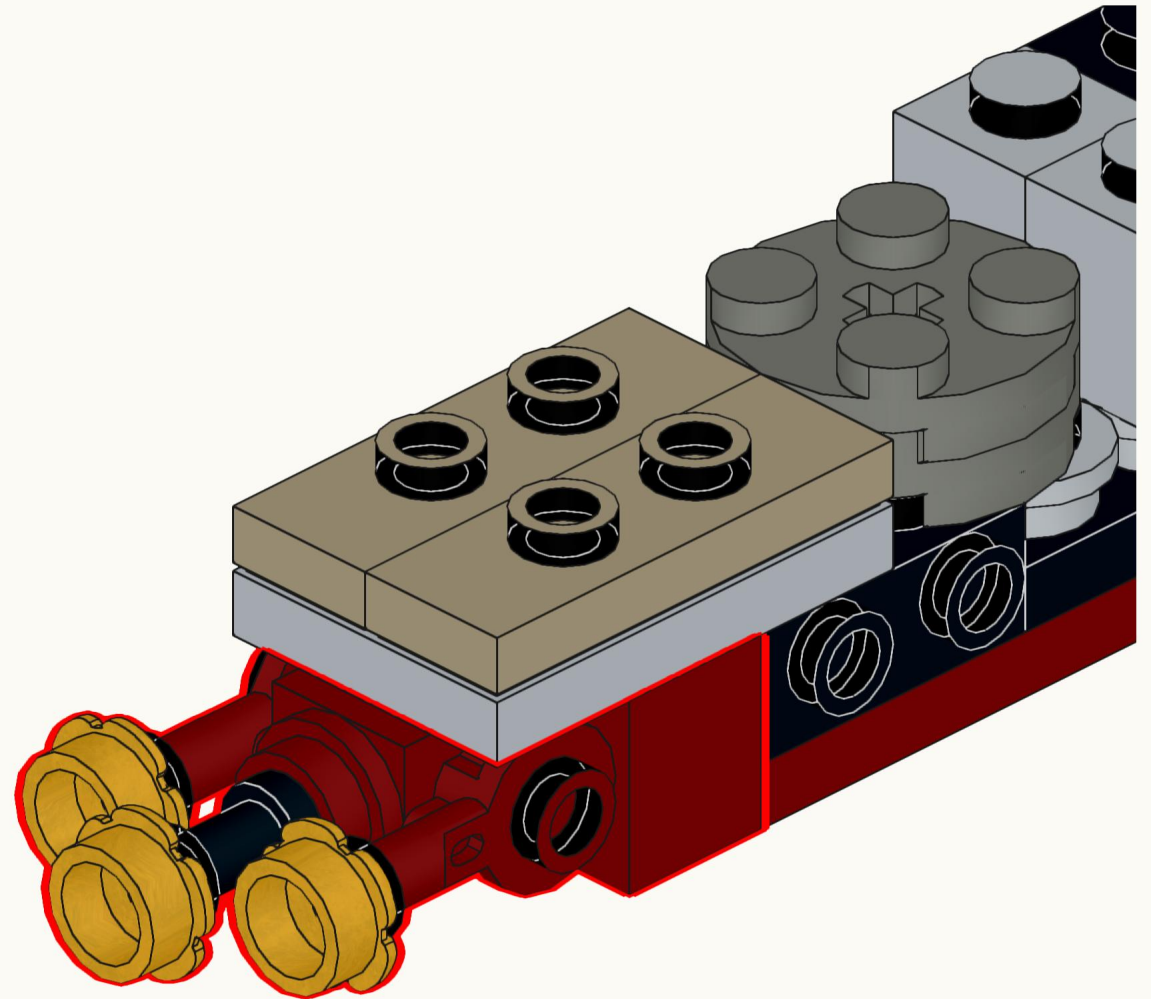
14



15

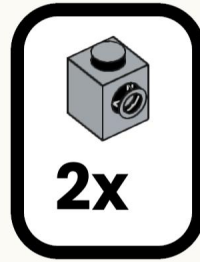
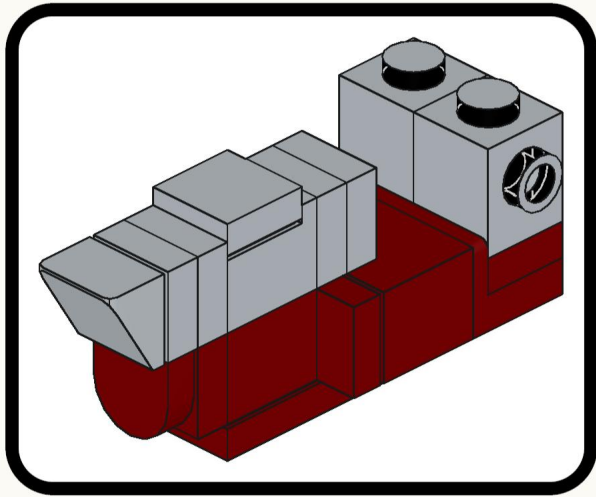


16

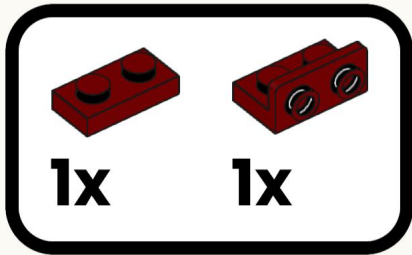


Bismarck had three sets of Blohm & Voss geared turbines in separate compartments, each driving a three-bladed propeller 4.70 metres in diameter.

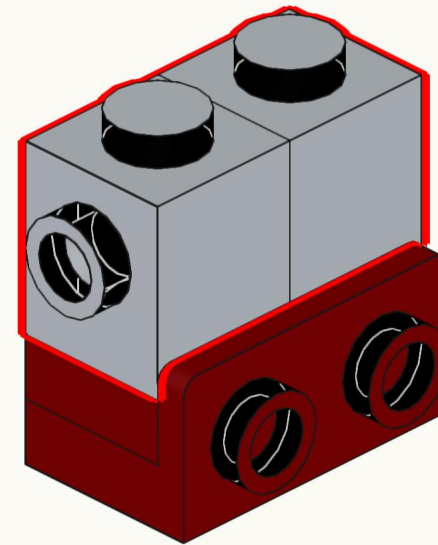
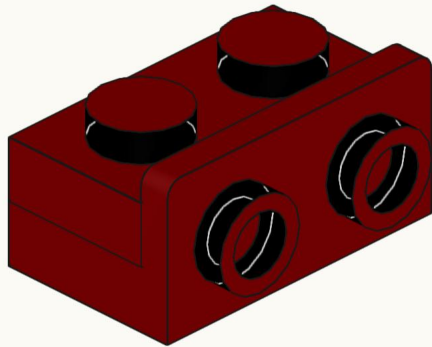
The three-shaft arrangement was chosen over the more common four-shaft layout specifically to save weight.

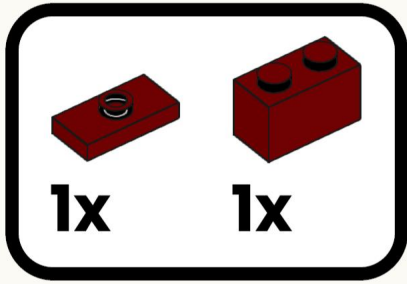


18

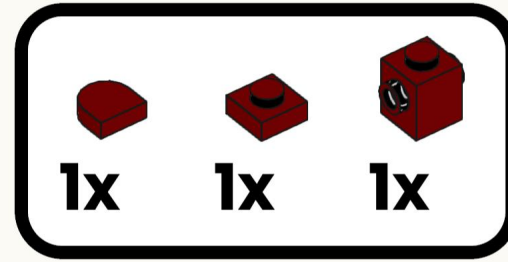
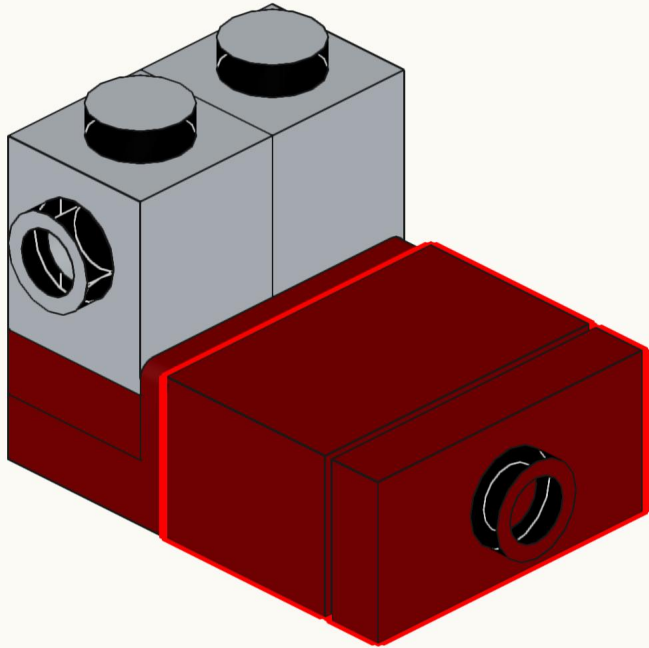


17

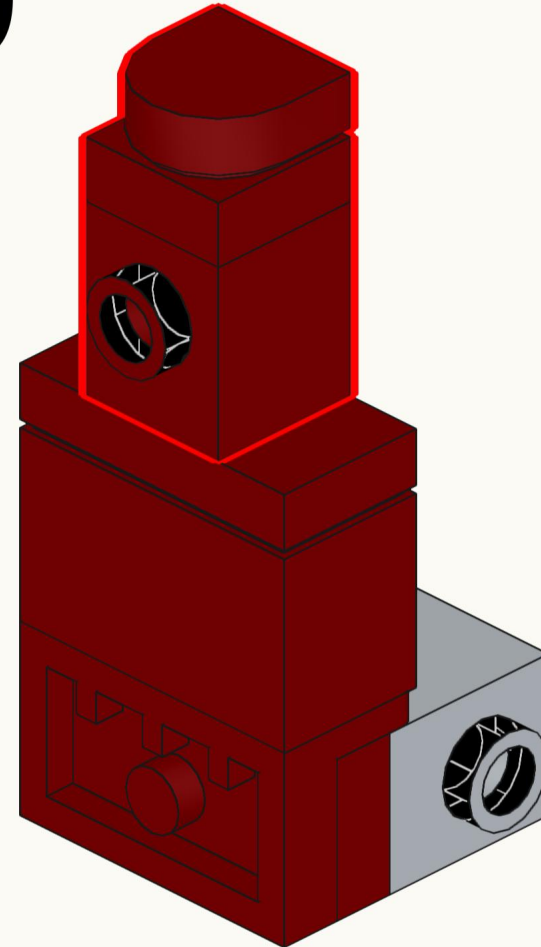


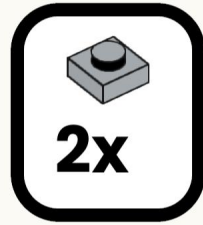
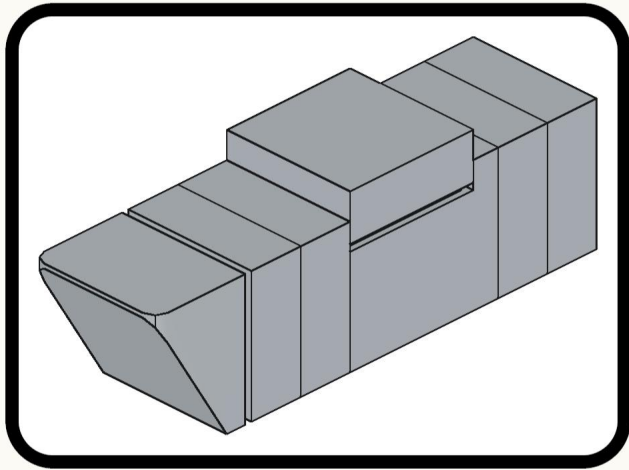


19

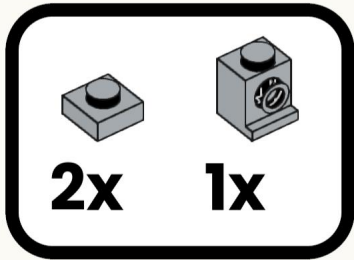


20

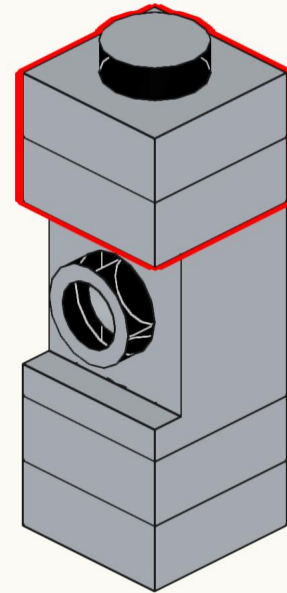
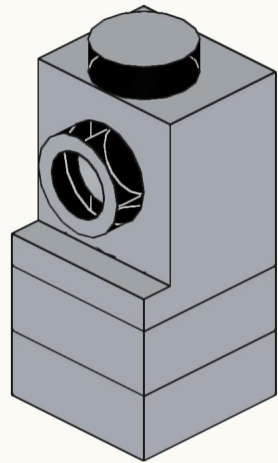


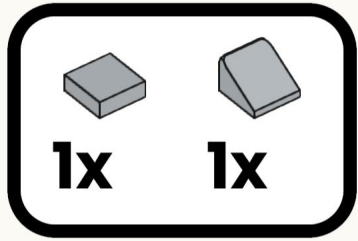


22

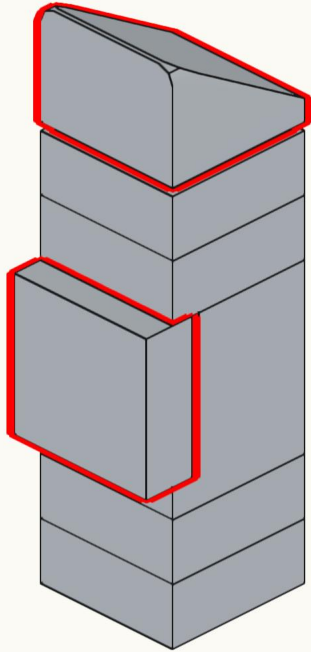


21

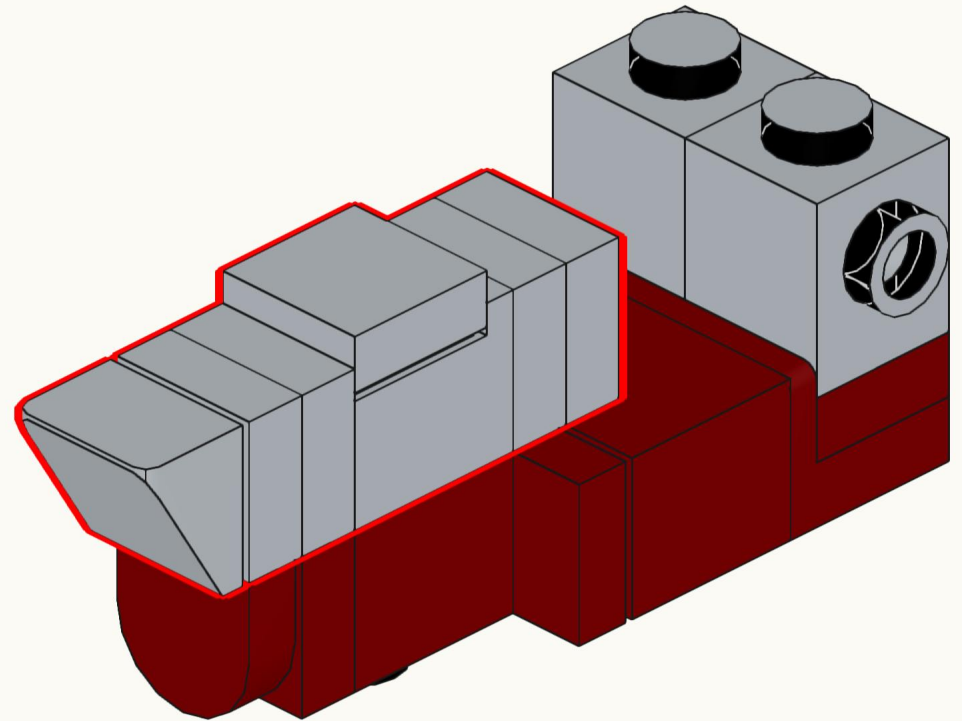


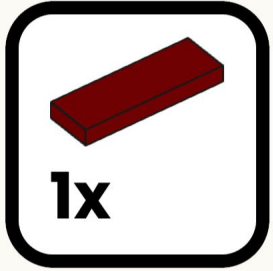


23

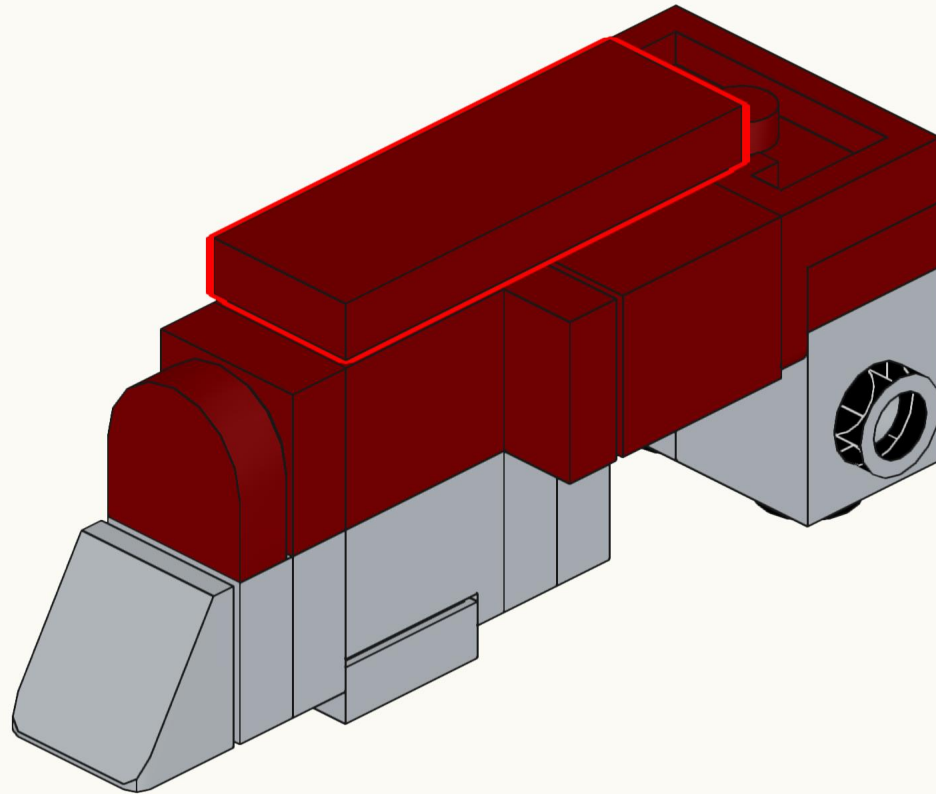


24

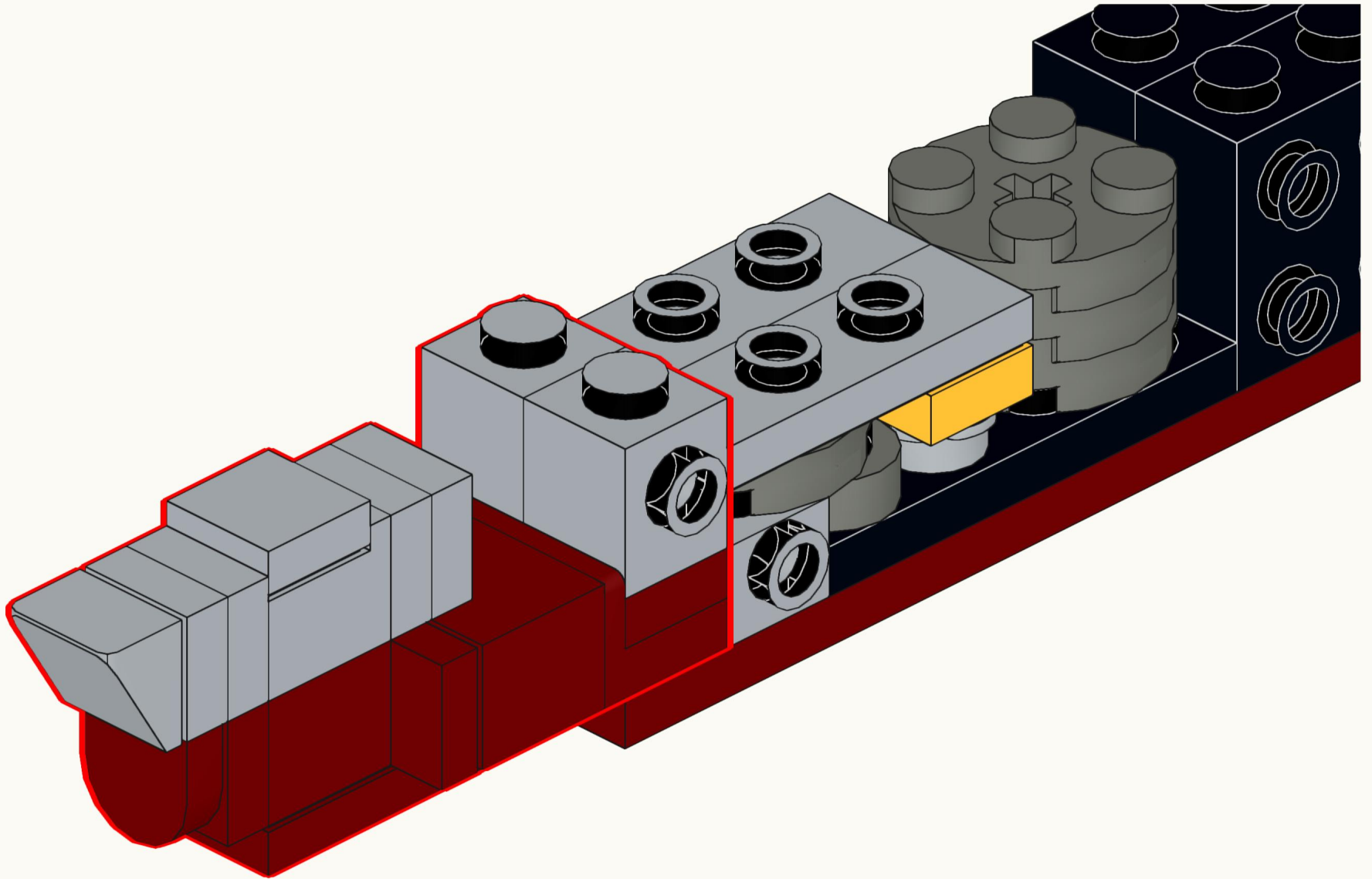




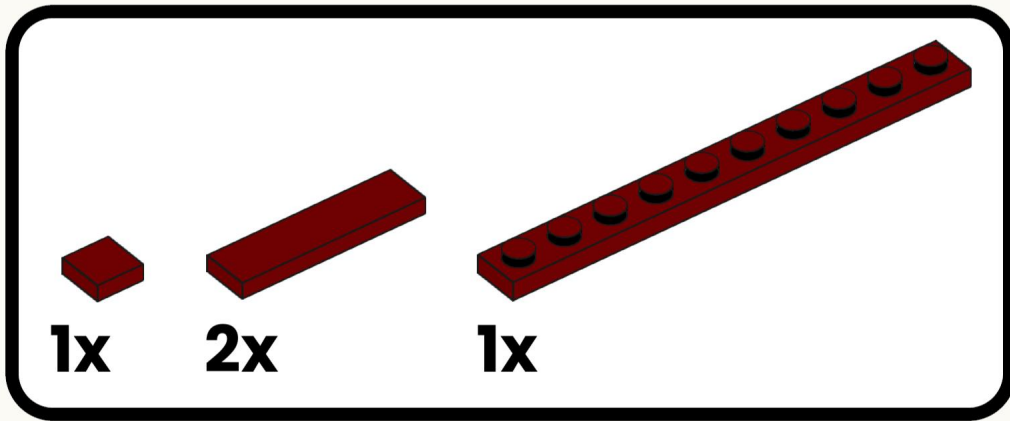
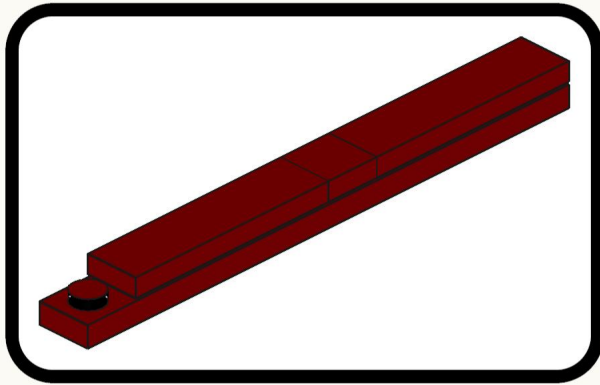
25



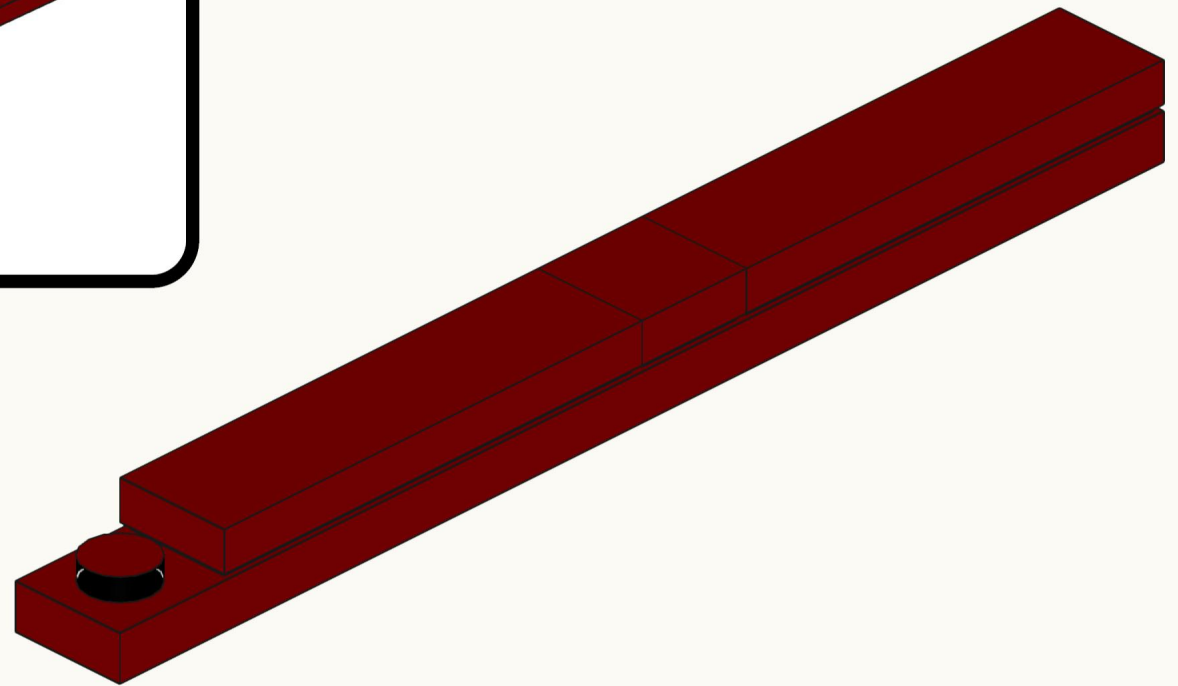
26



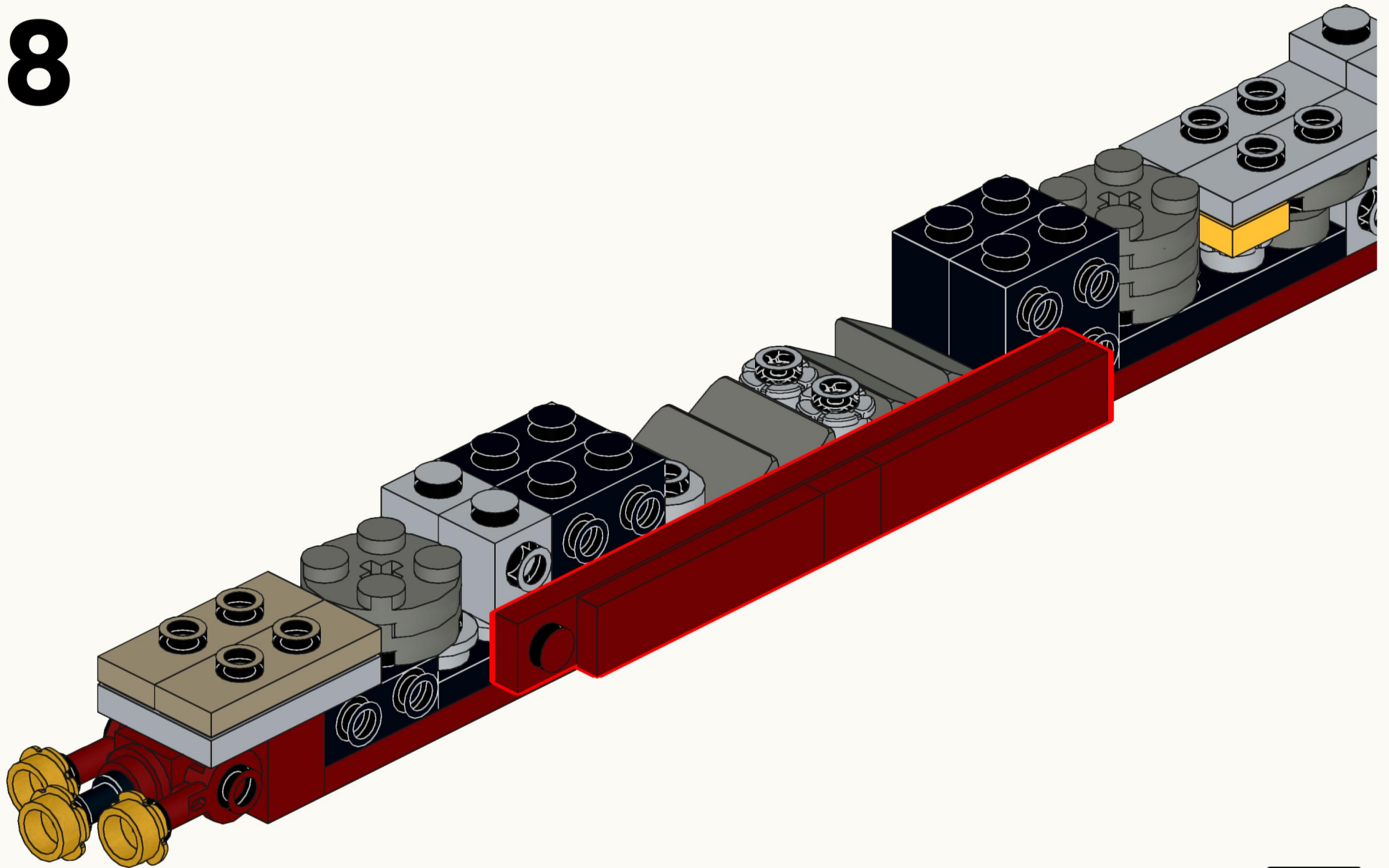
Each turret weighed 1,056 metric tons and sat on a roller track platform, with a series of levels extending deep into the hull below connecting to the shell rooms and powder magazines.

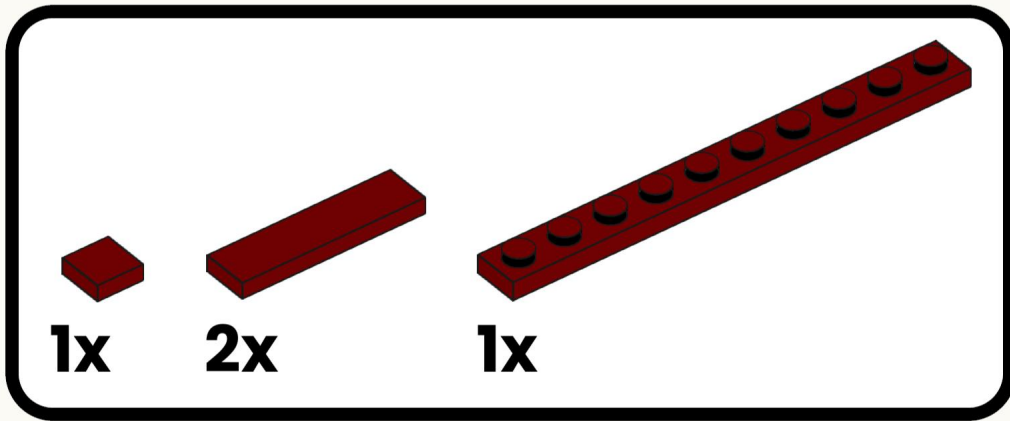
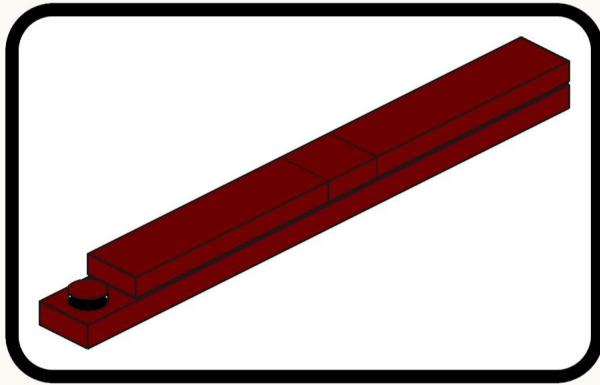


27

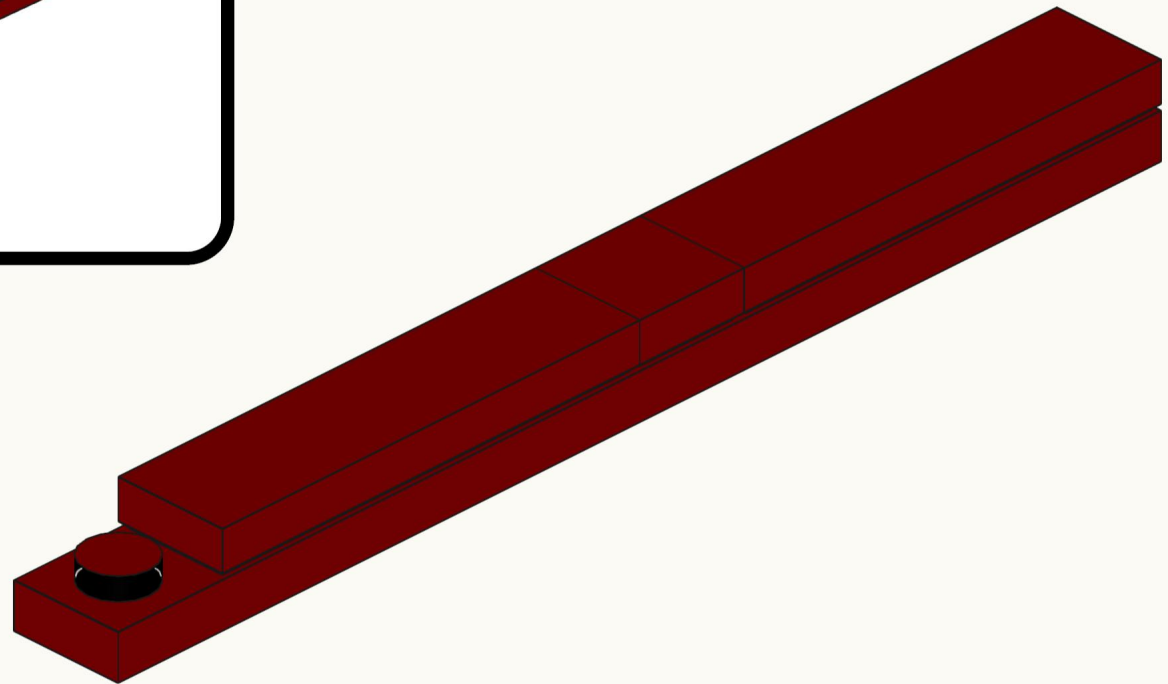


28

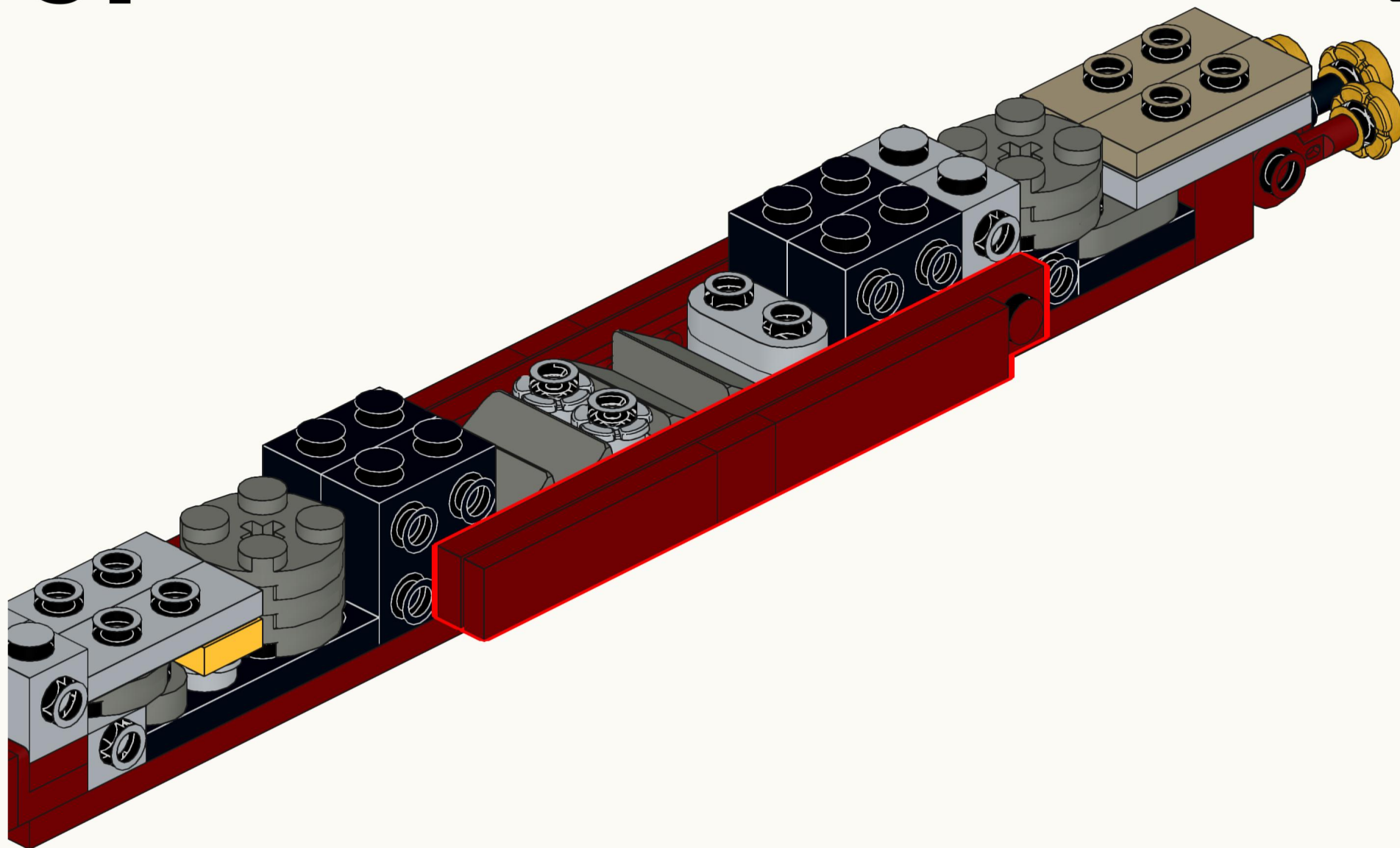


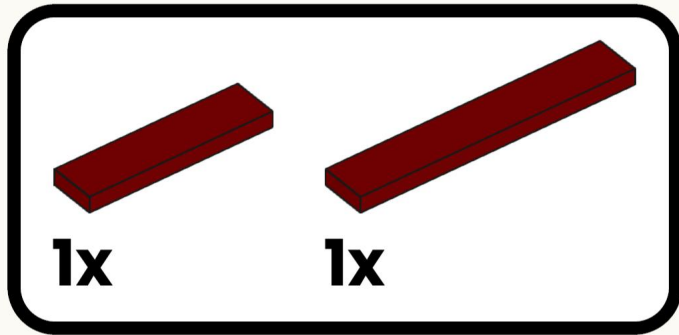


30

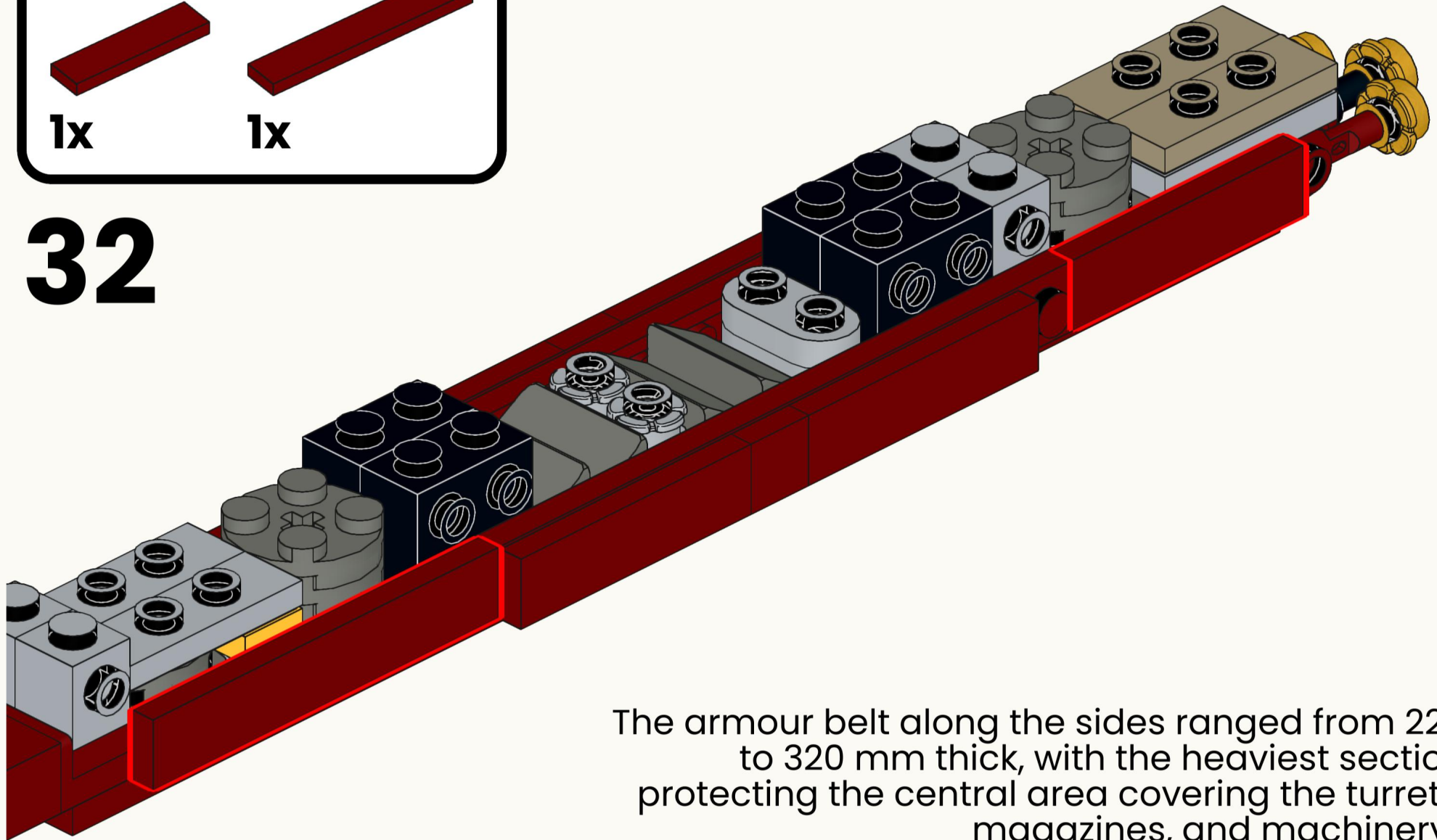


31



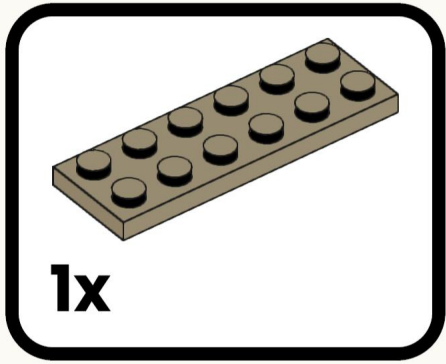


32

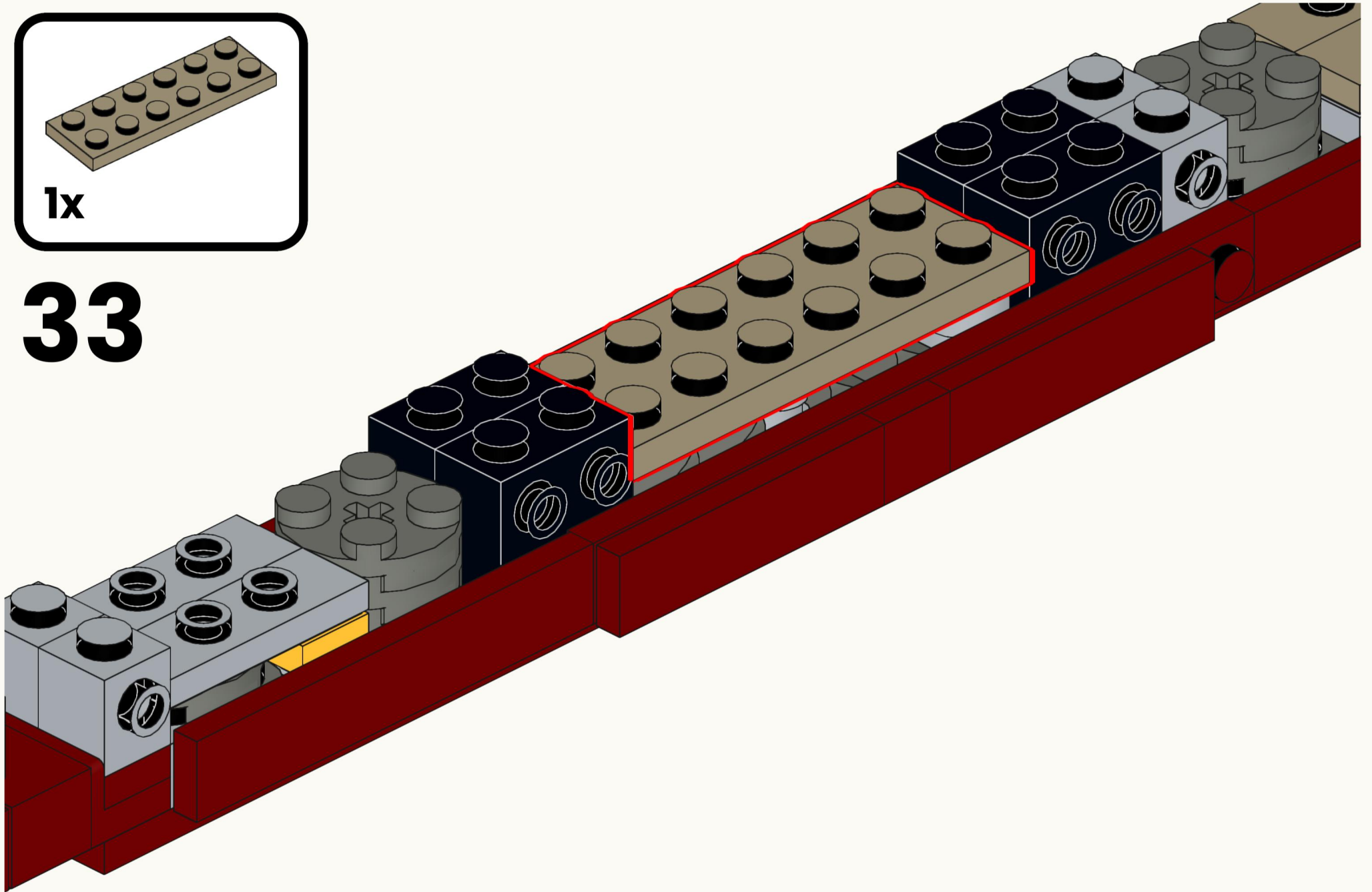


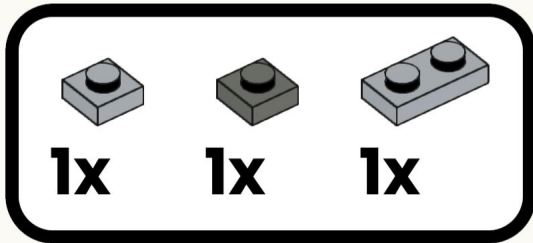
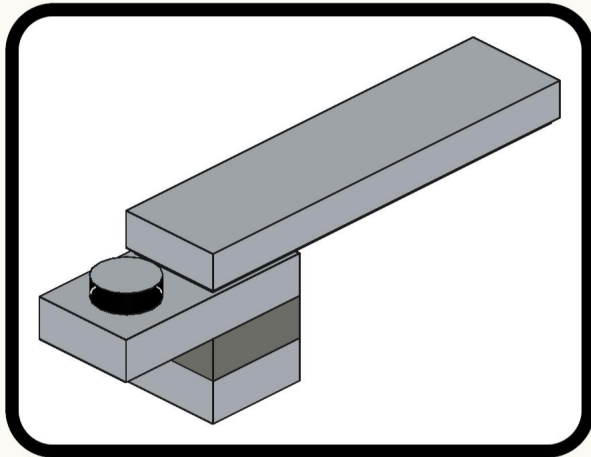
The armour belt along the sides ranged from 220 to 320 mm thick, with the heaviest section protecting the central area covering the turrets, magazines, and machinery.

Nearly 44% of the ship's entire weight was armour!

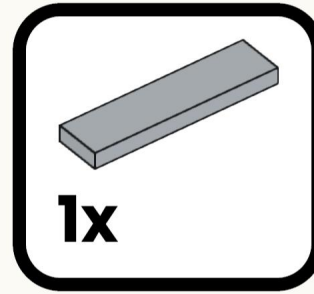
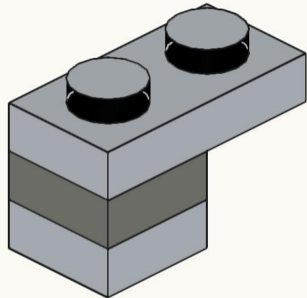


33

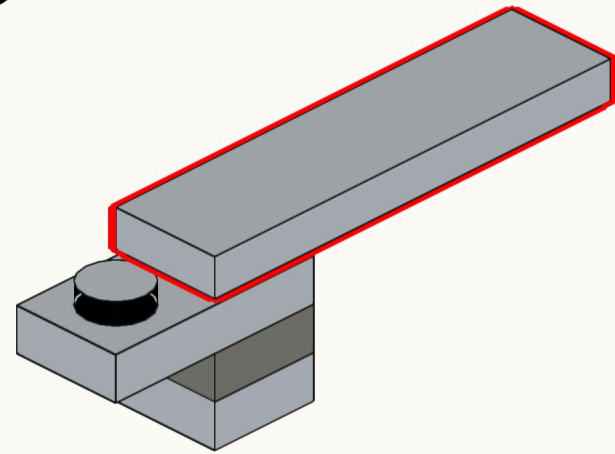


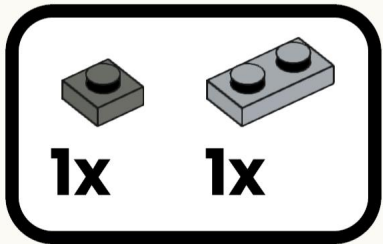
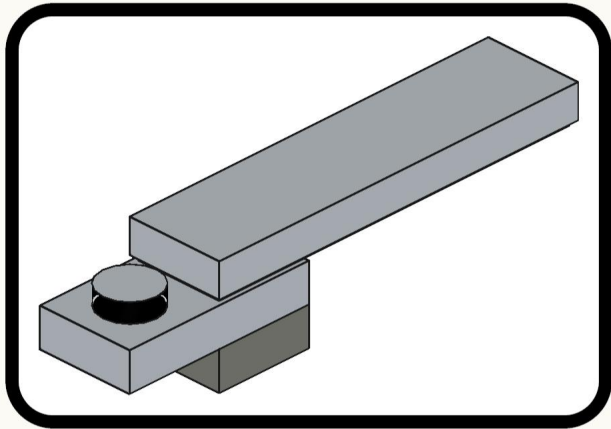


34

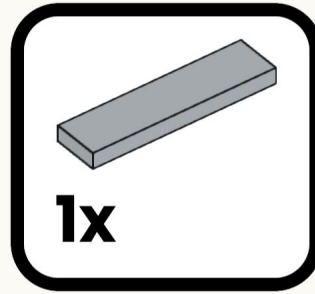
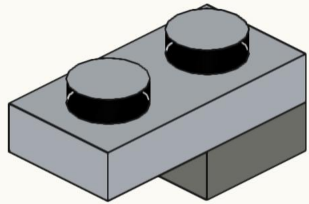


35

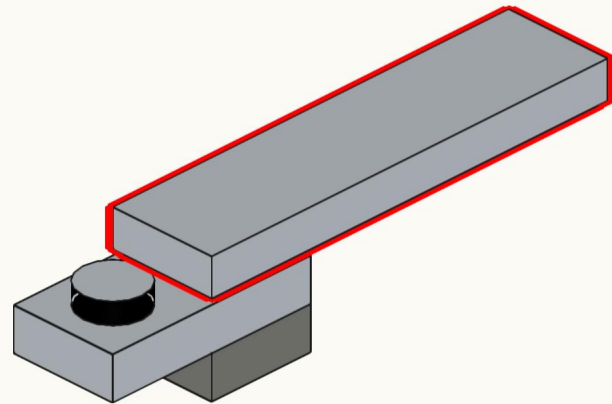




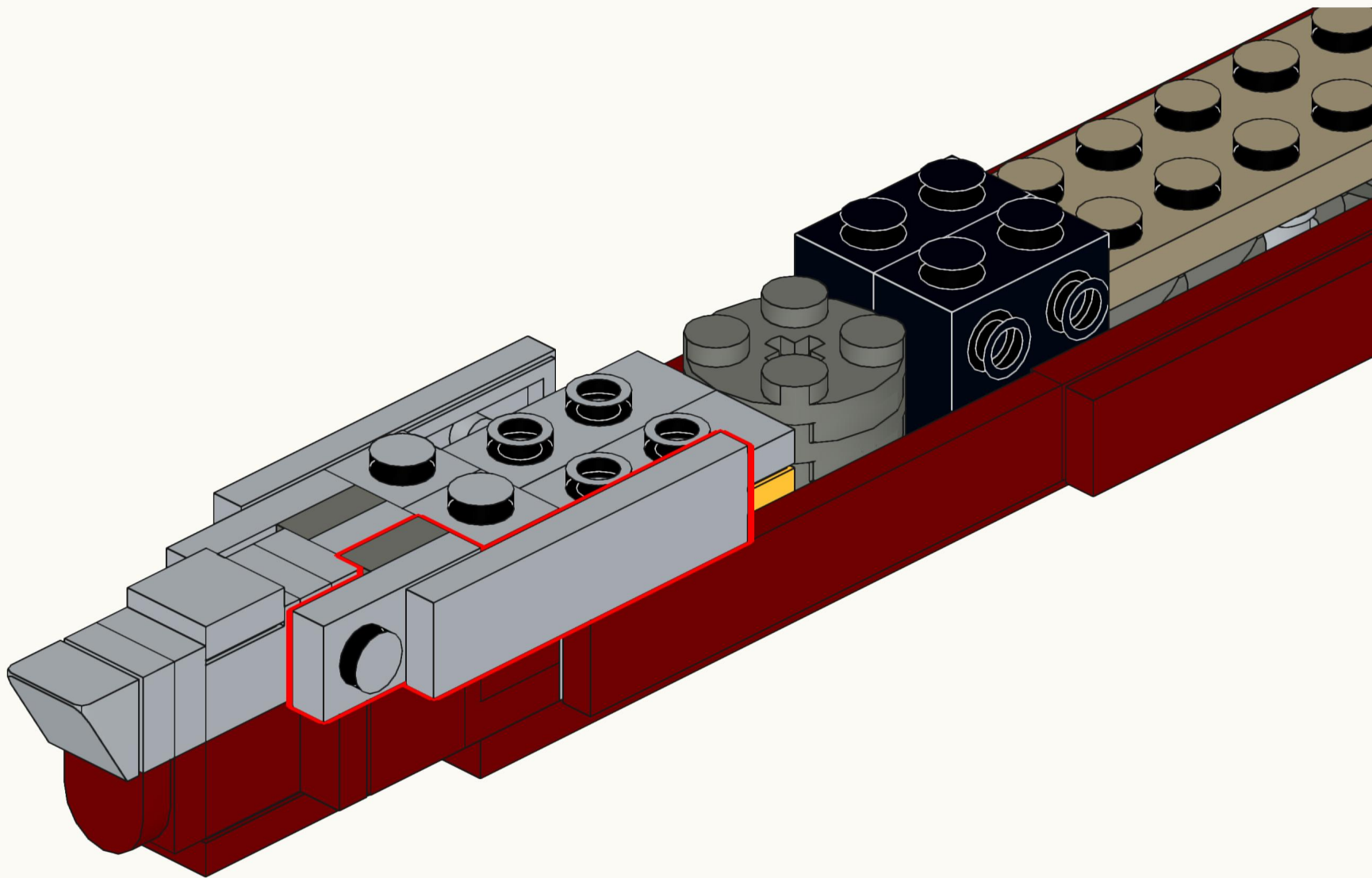
37

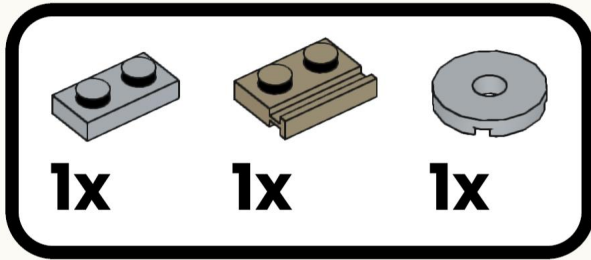


38

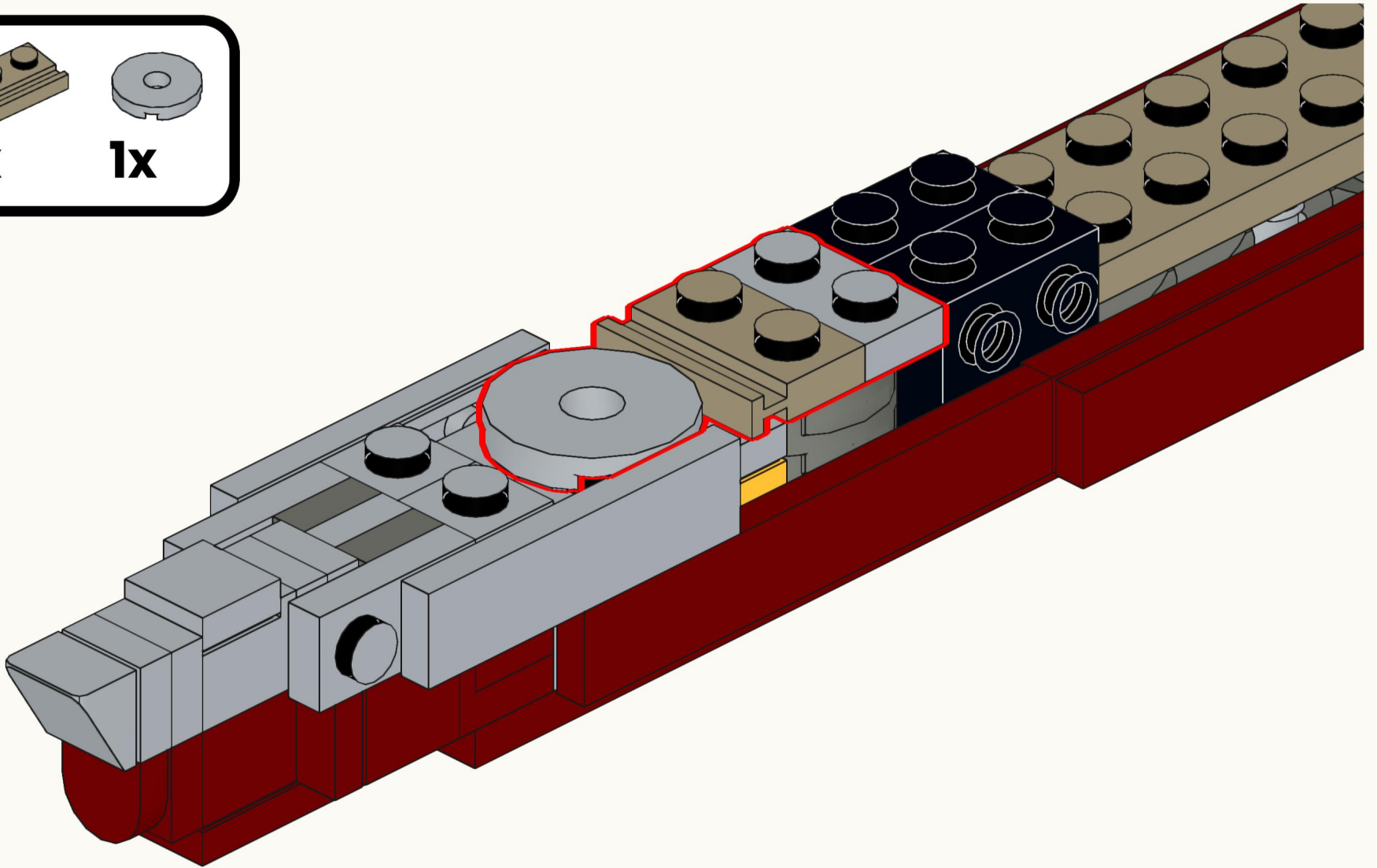


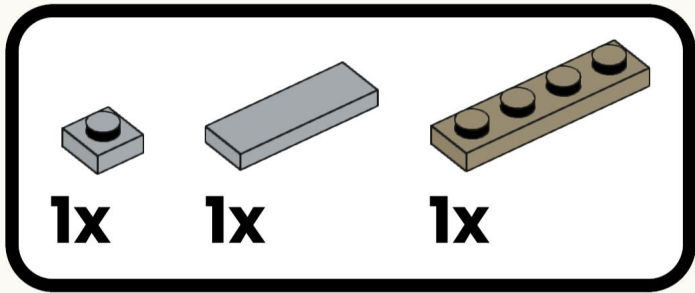
39



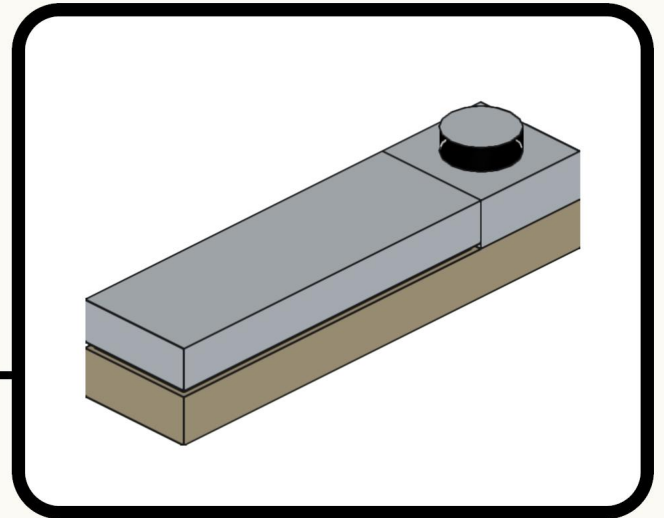
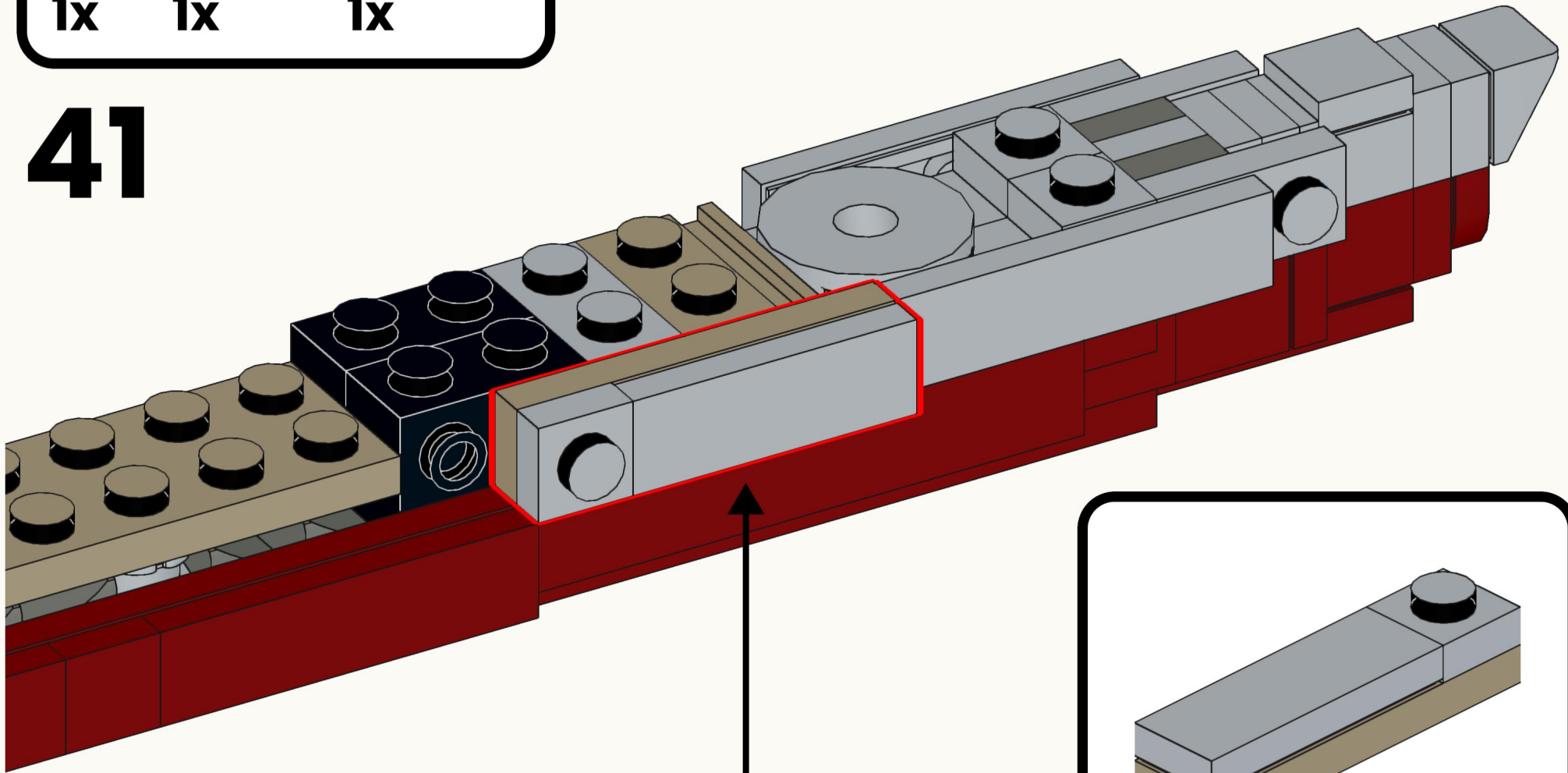


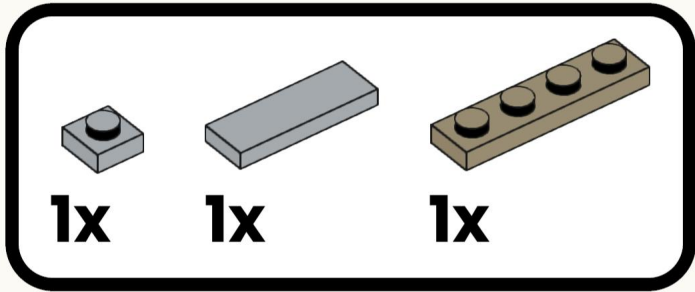
40



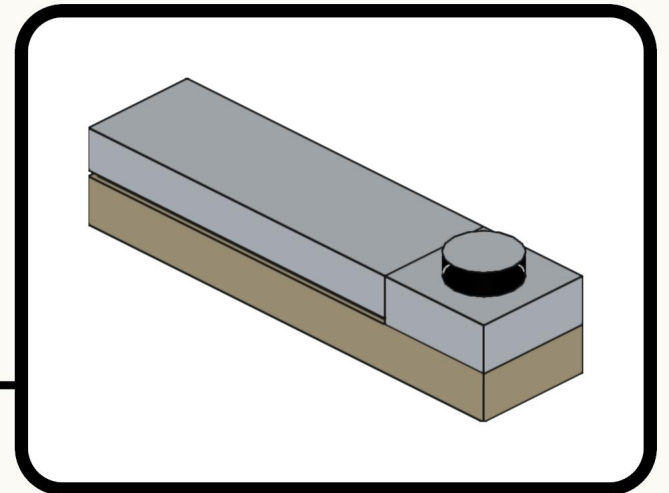
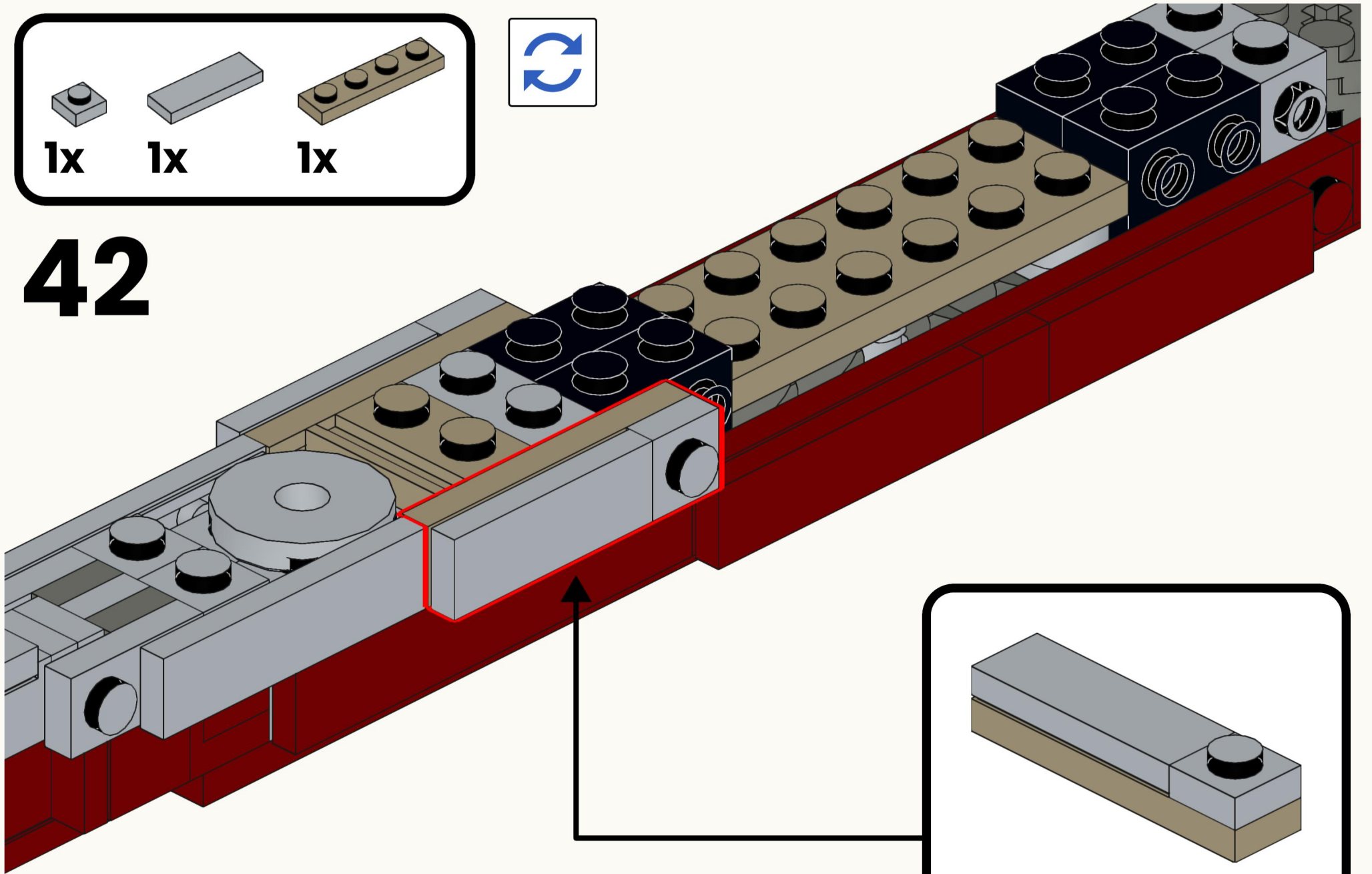


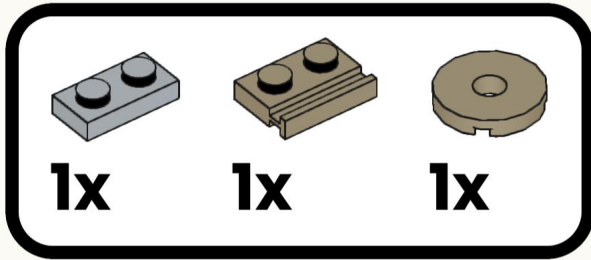
41



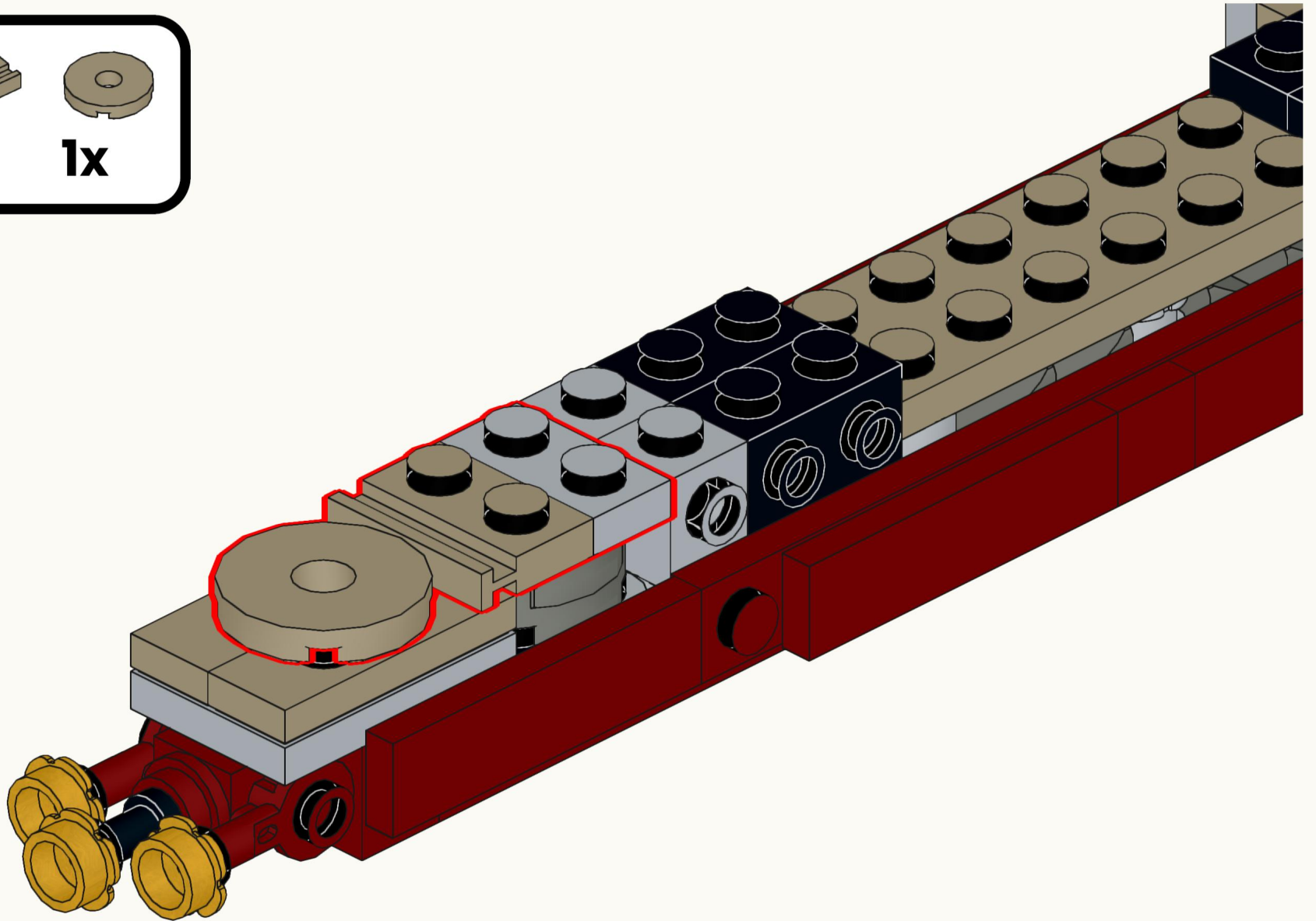


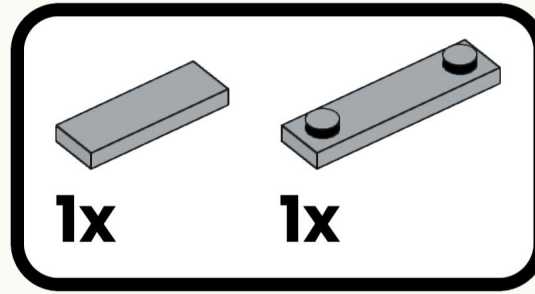
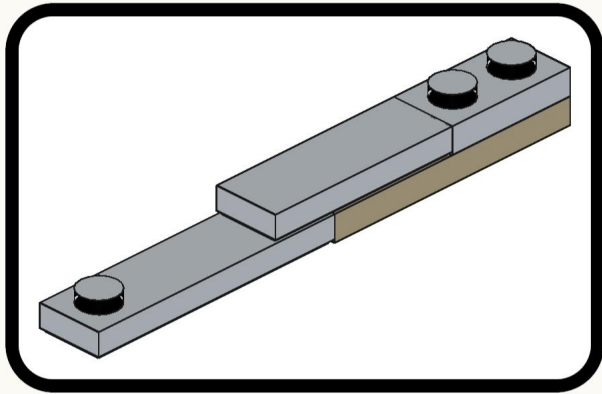
42



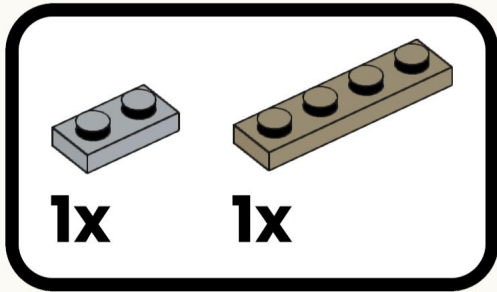


43

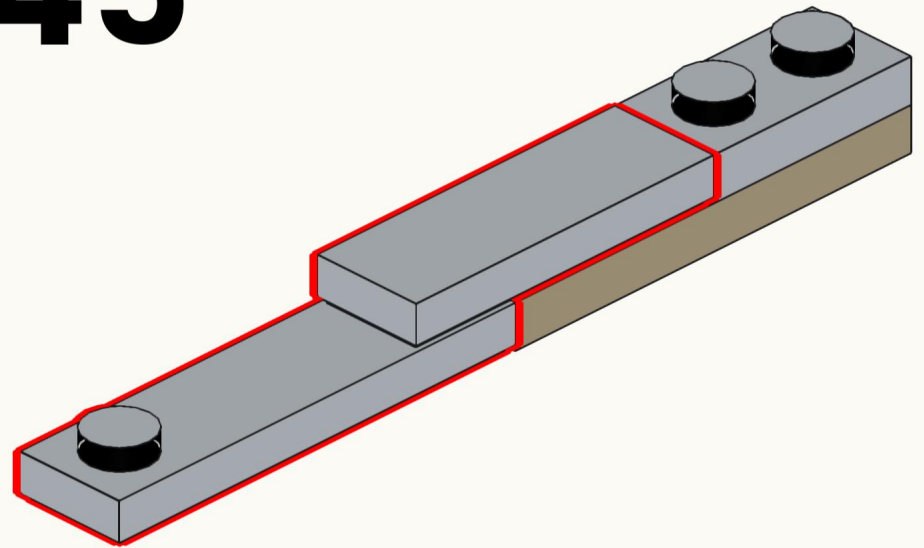
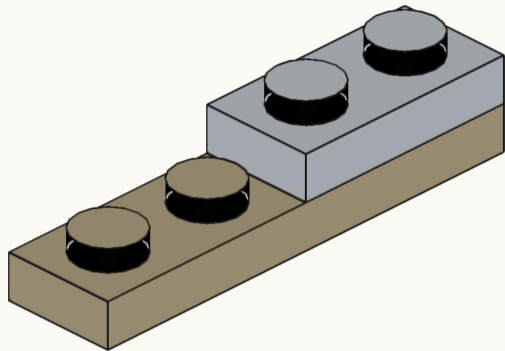




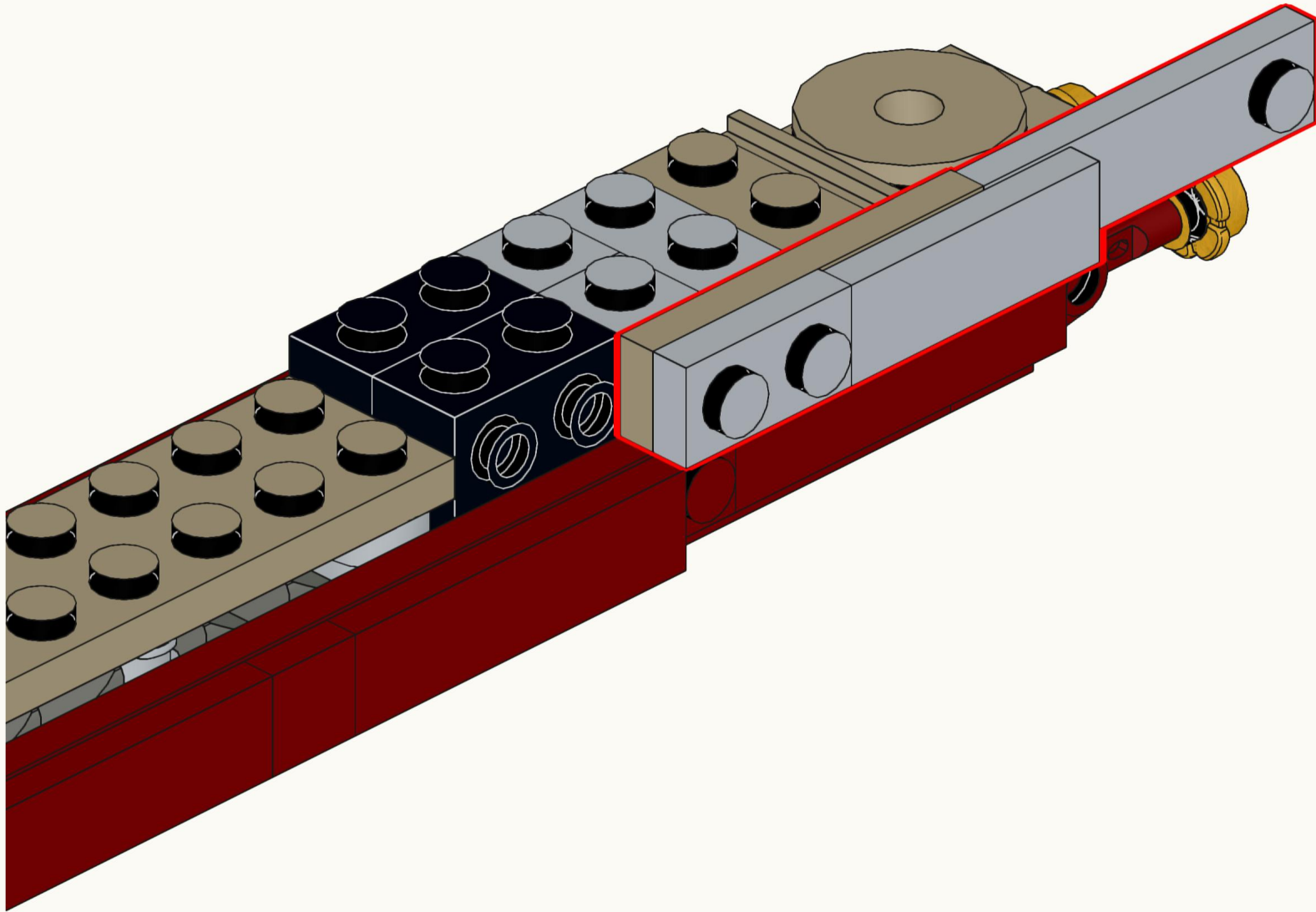
45

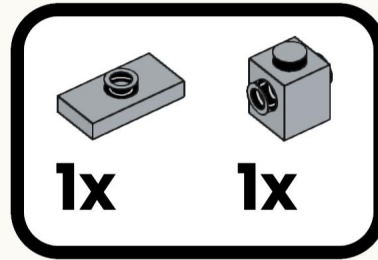
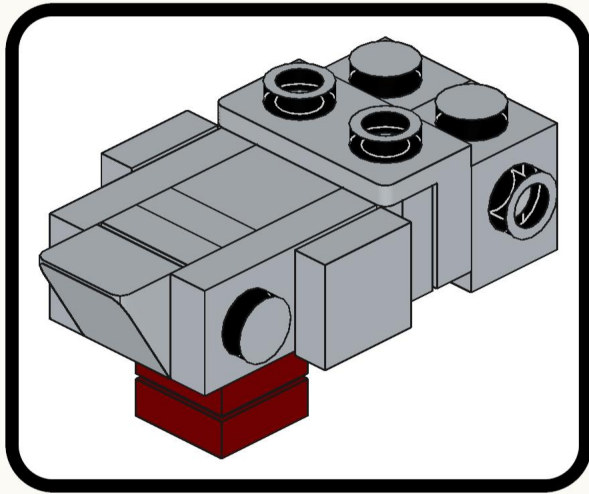


44

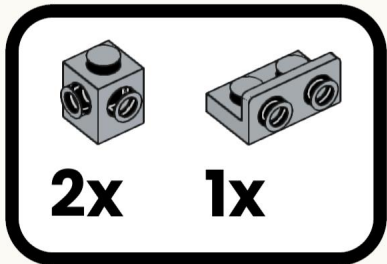


46

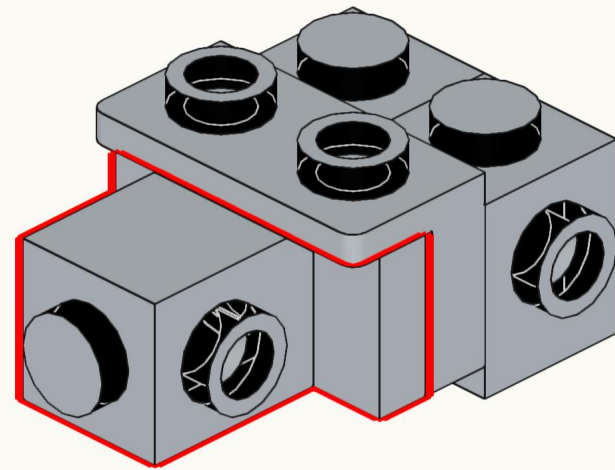
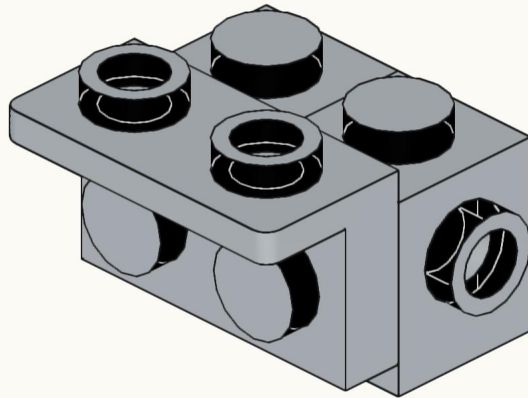


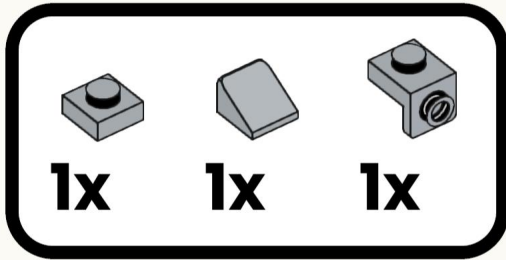


48

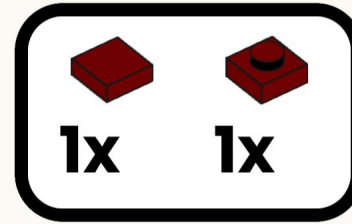
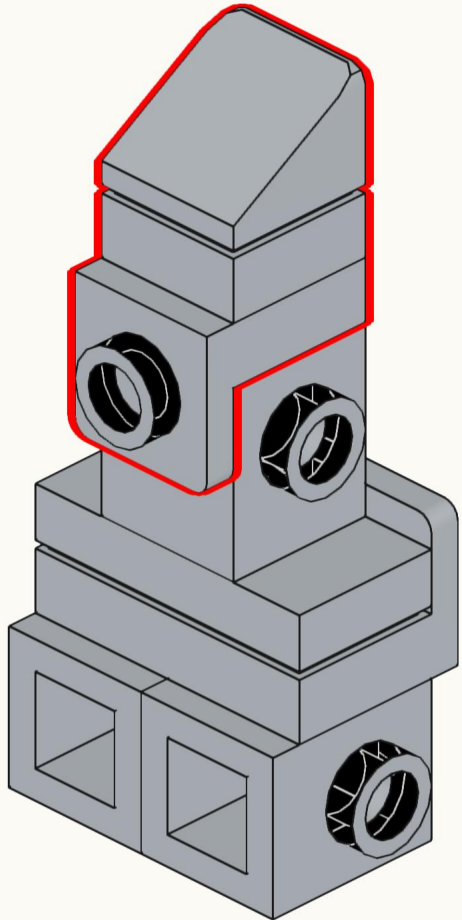


47

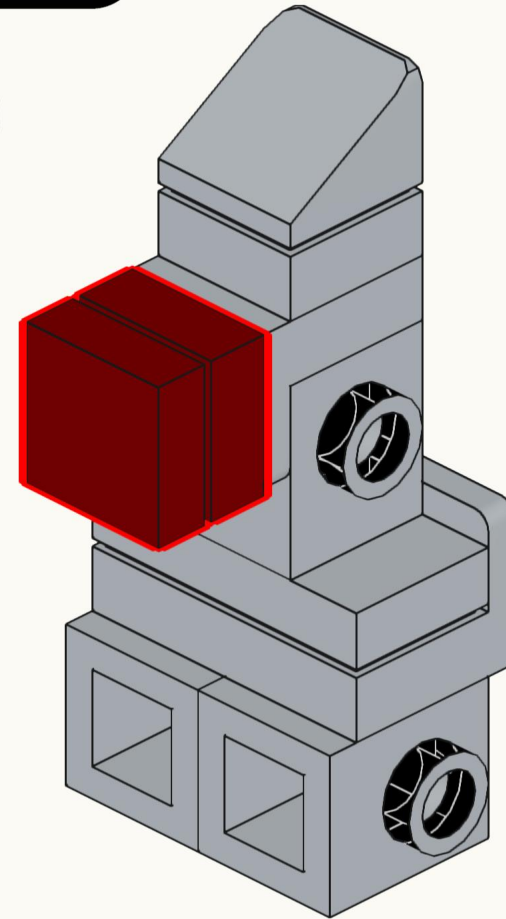


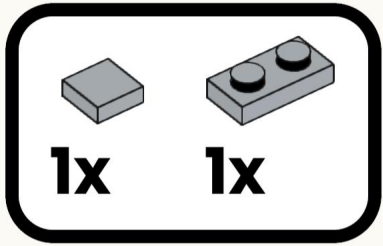


49

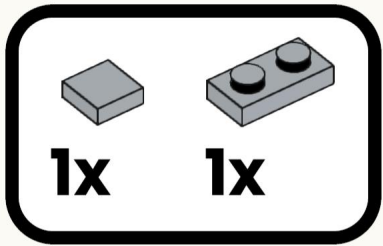
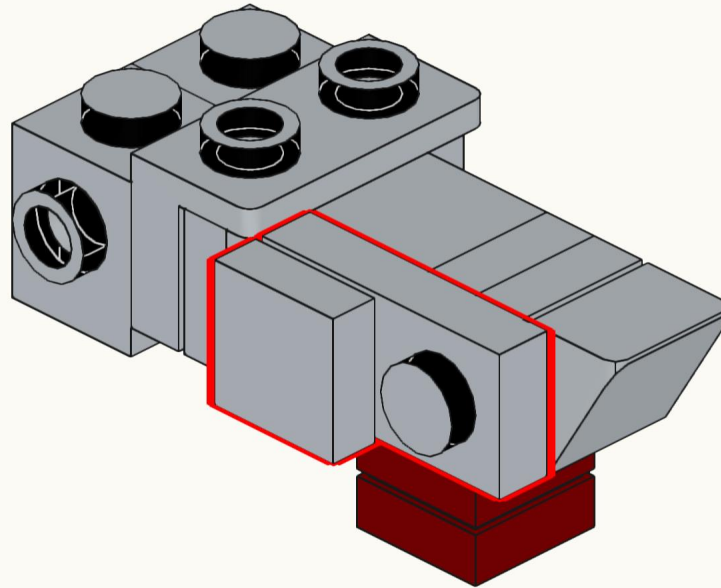


50

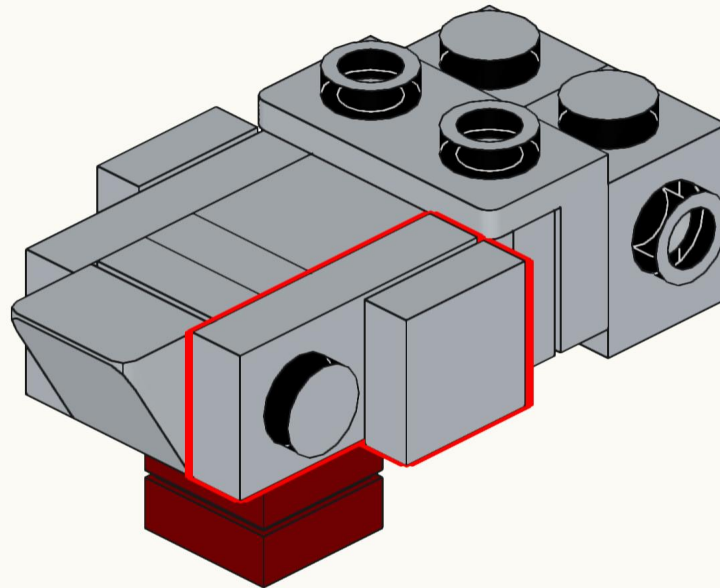




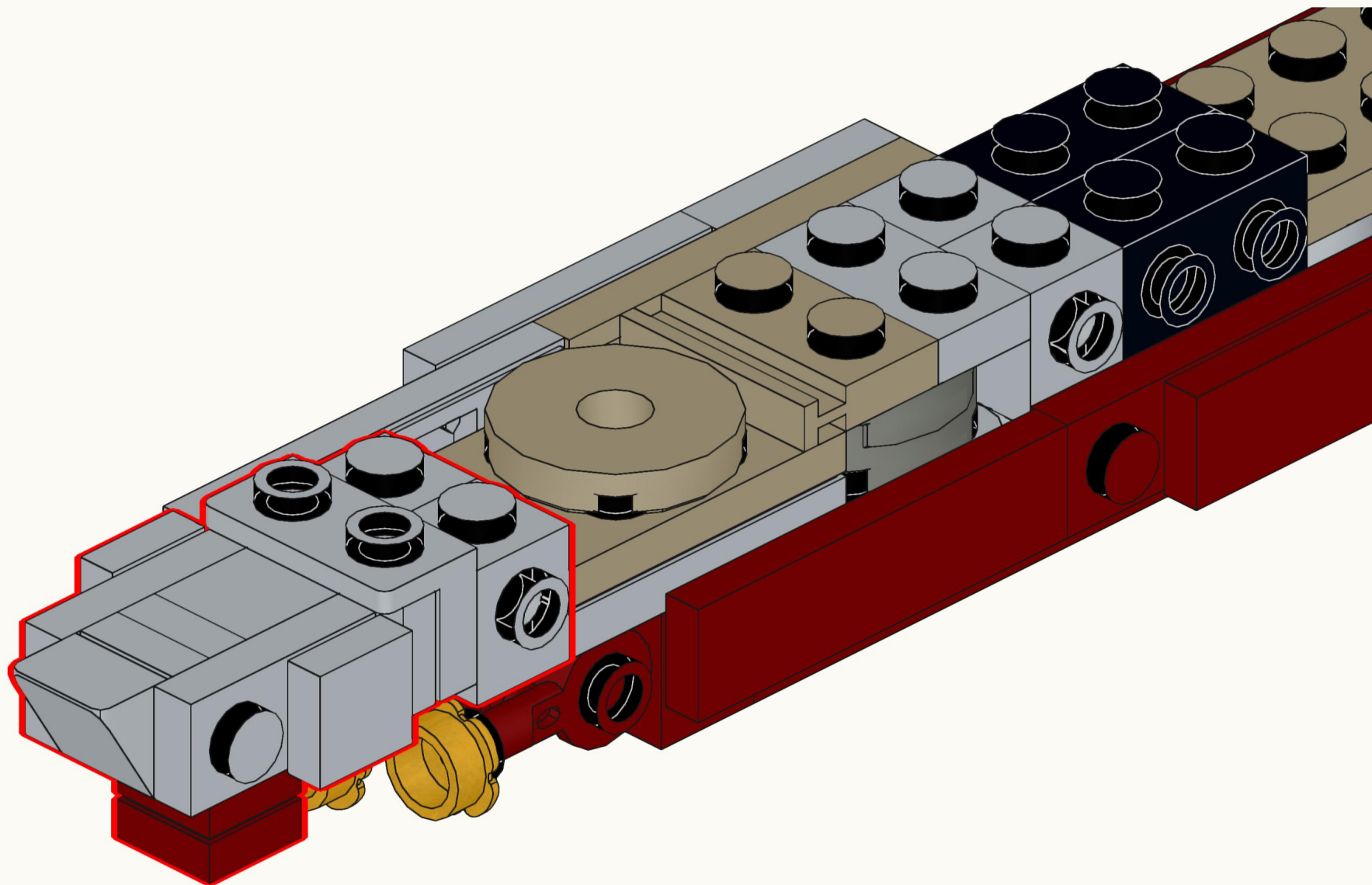
51

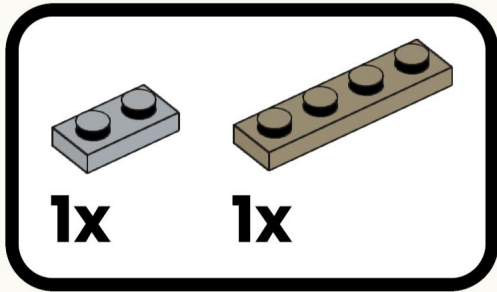
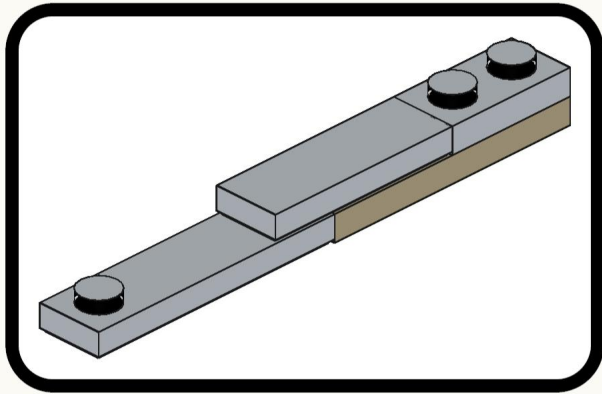


52

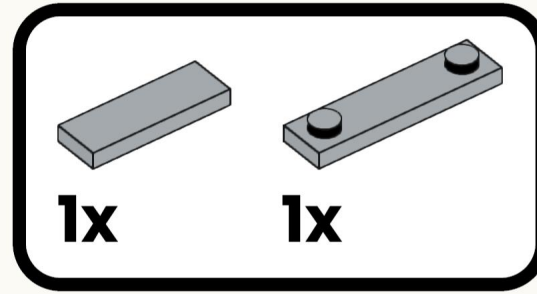
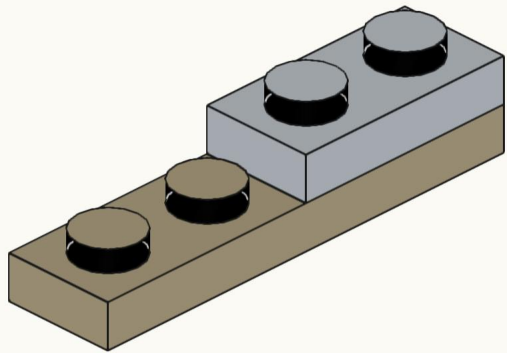


53

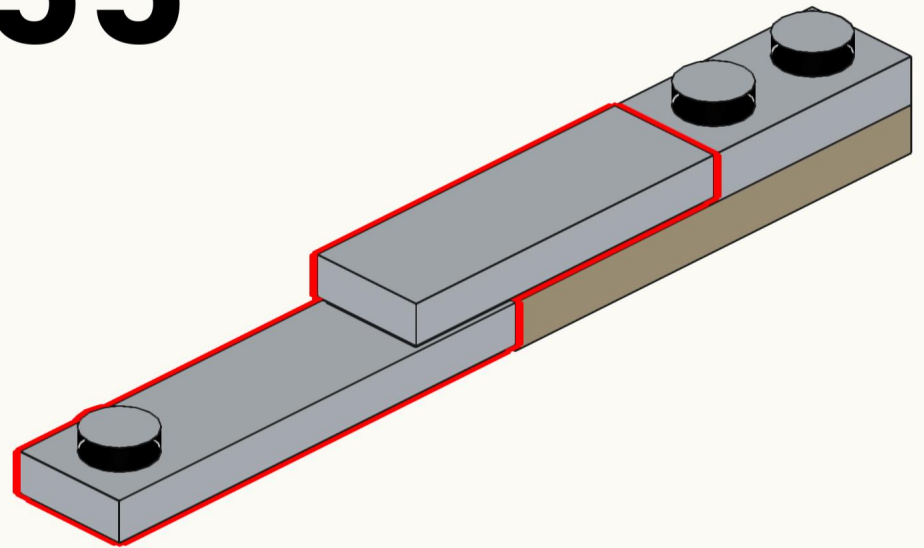




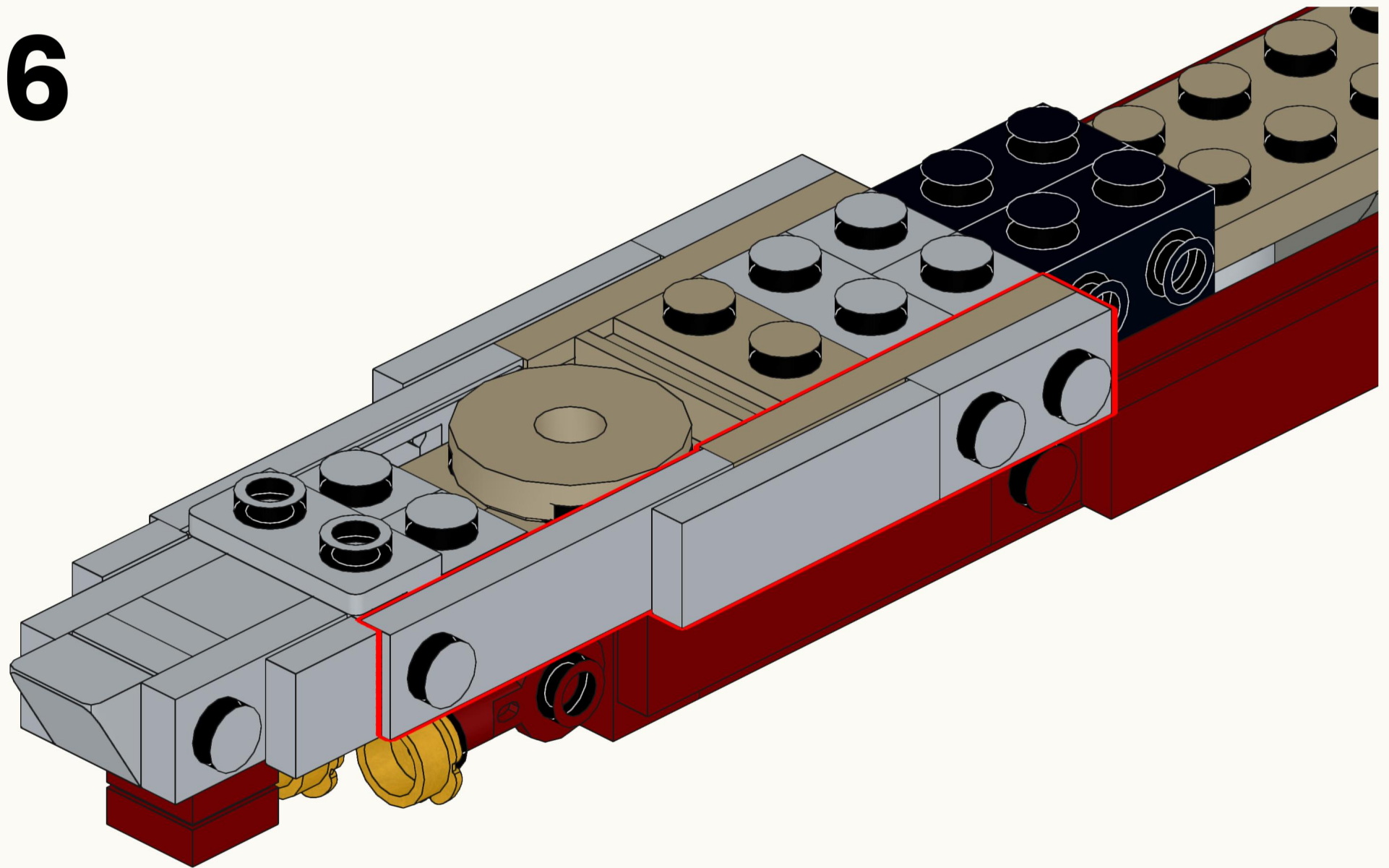
54

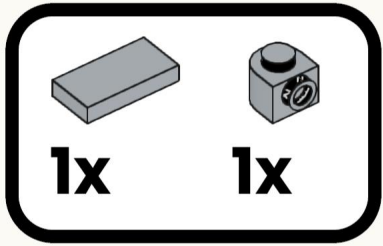


55

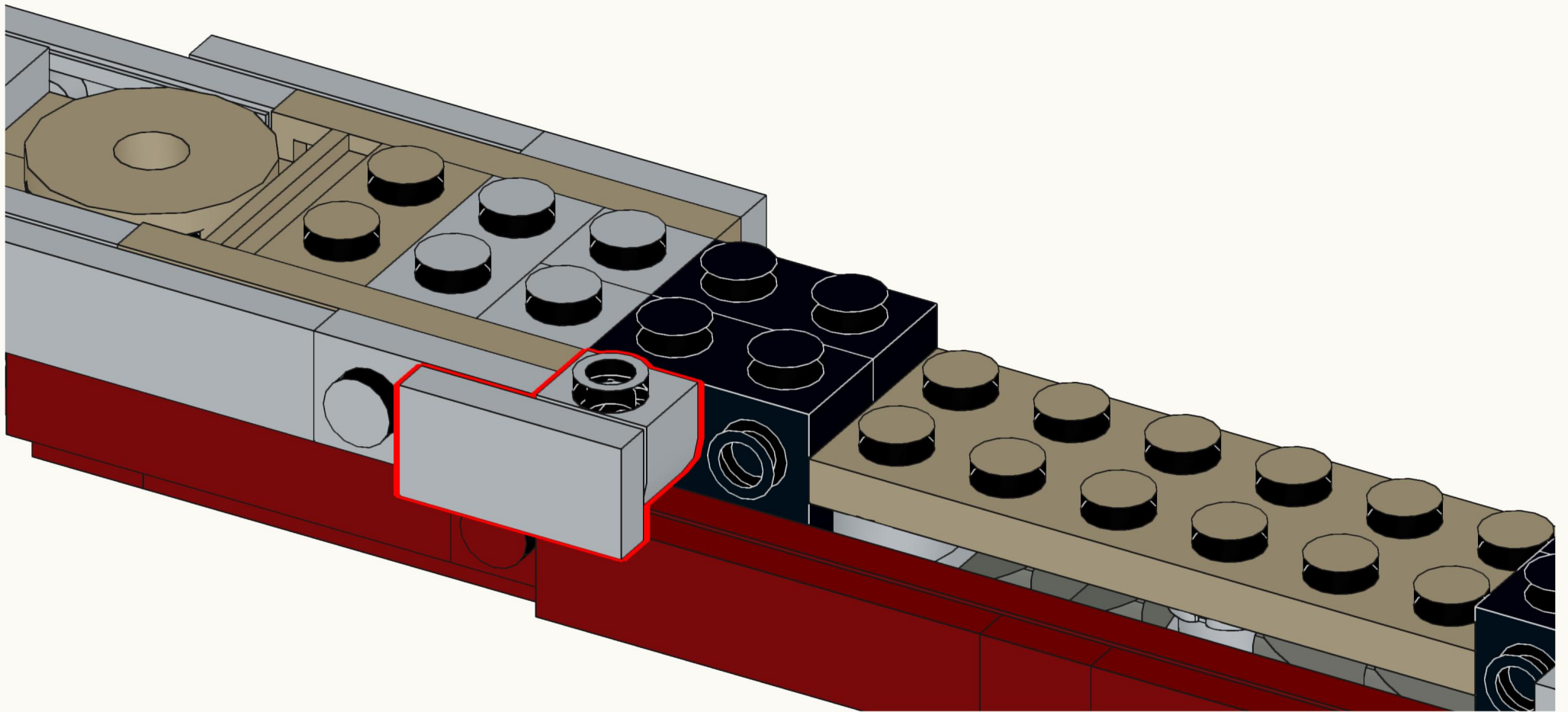


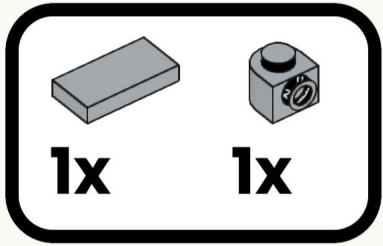
56



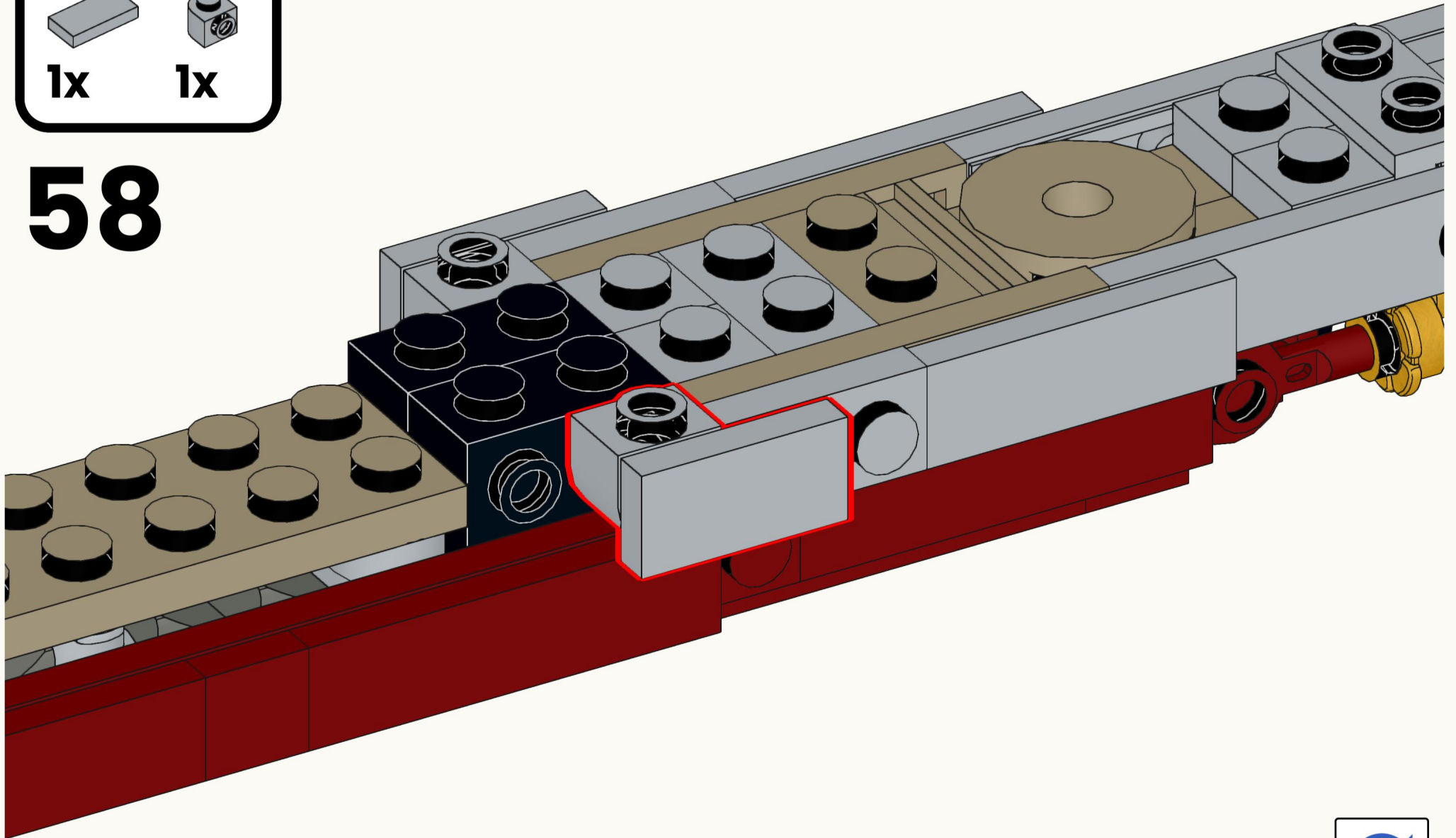


57

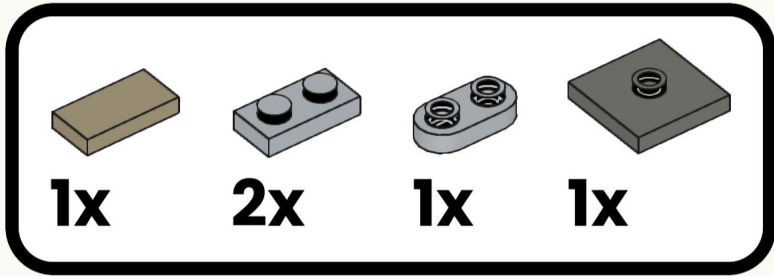




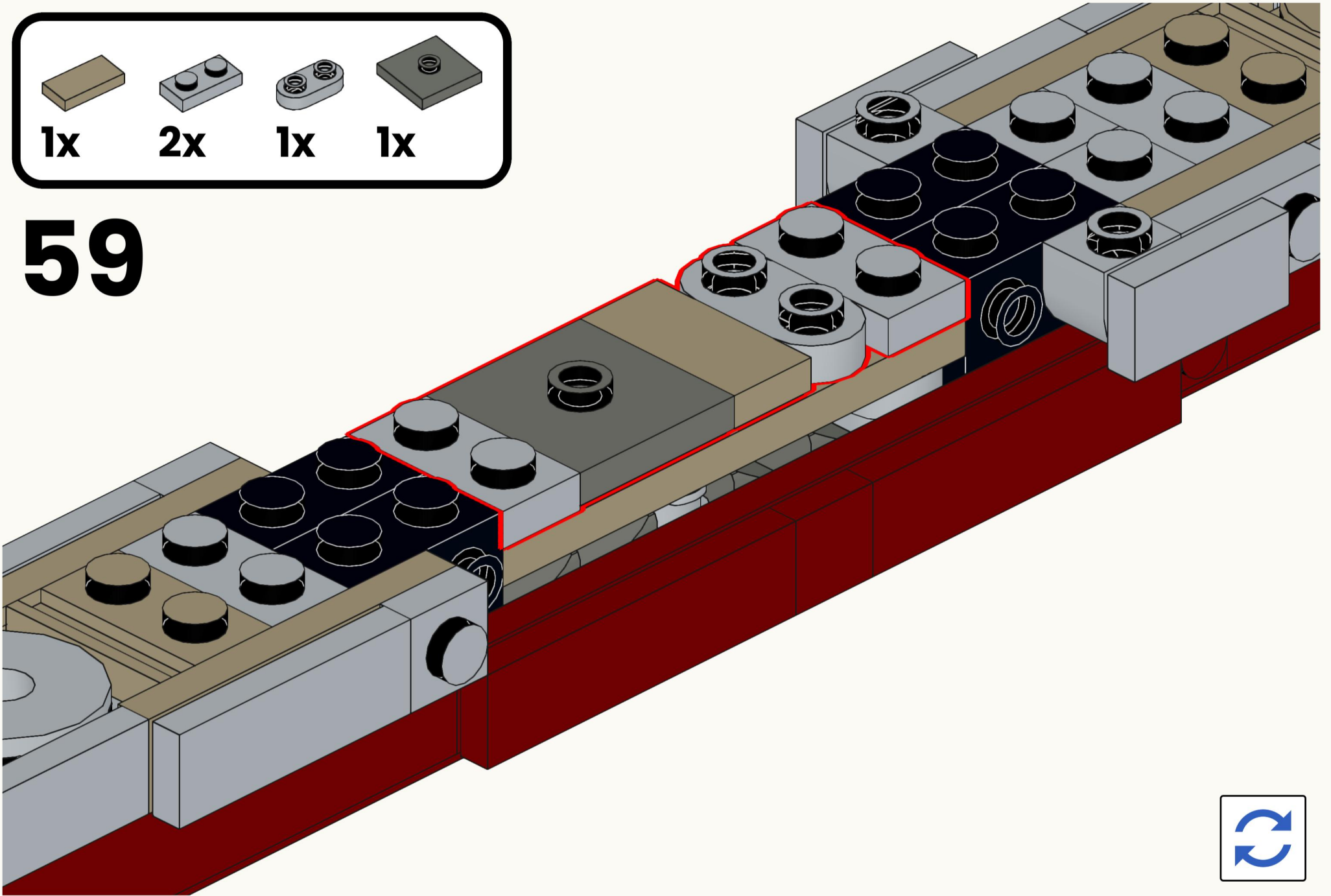
58

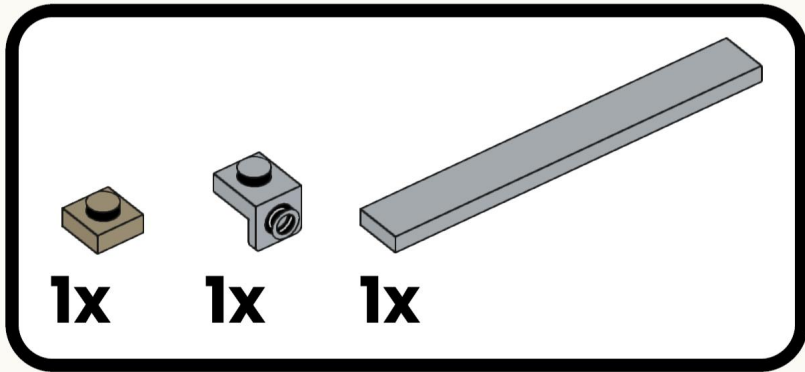
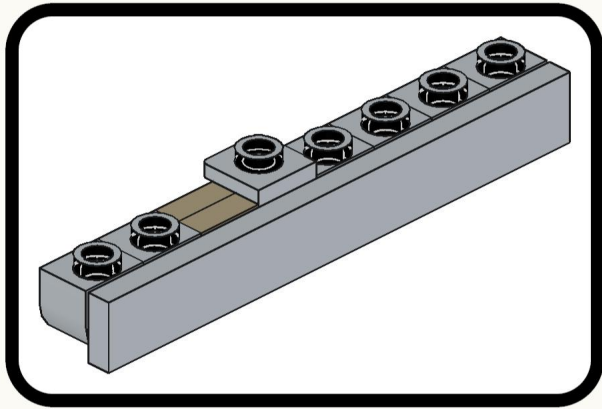


1x 2x 1x 1x

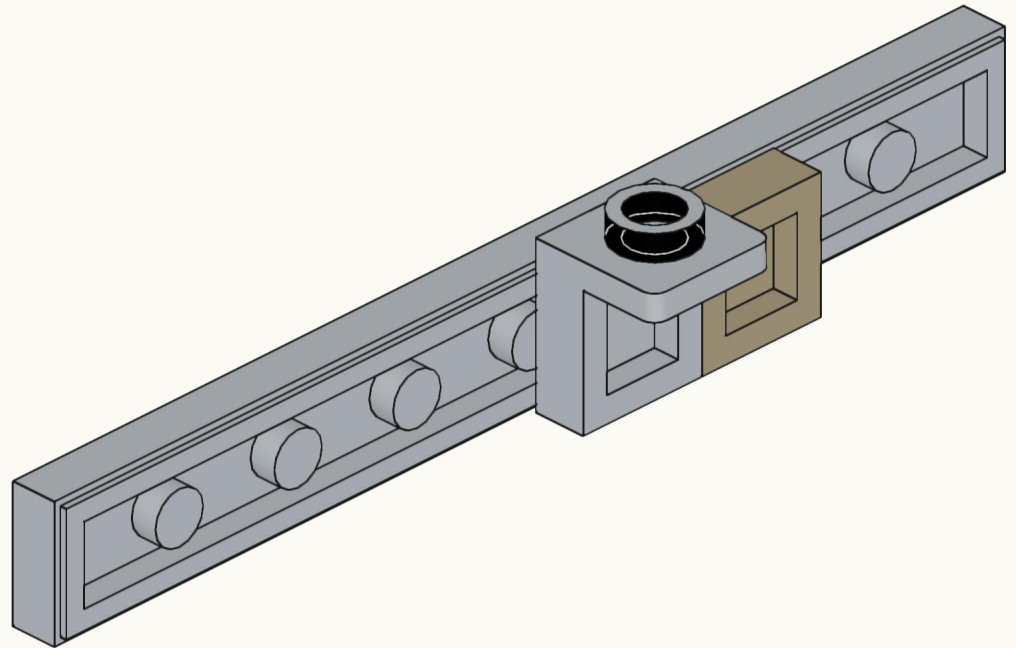


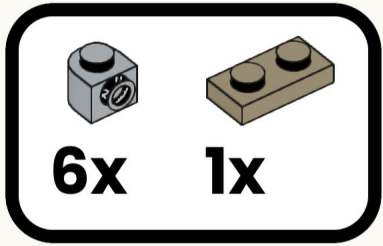
59



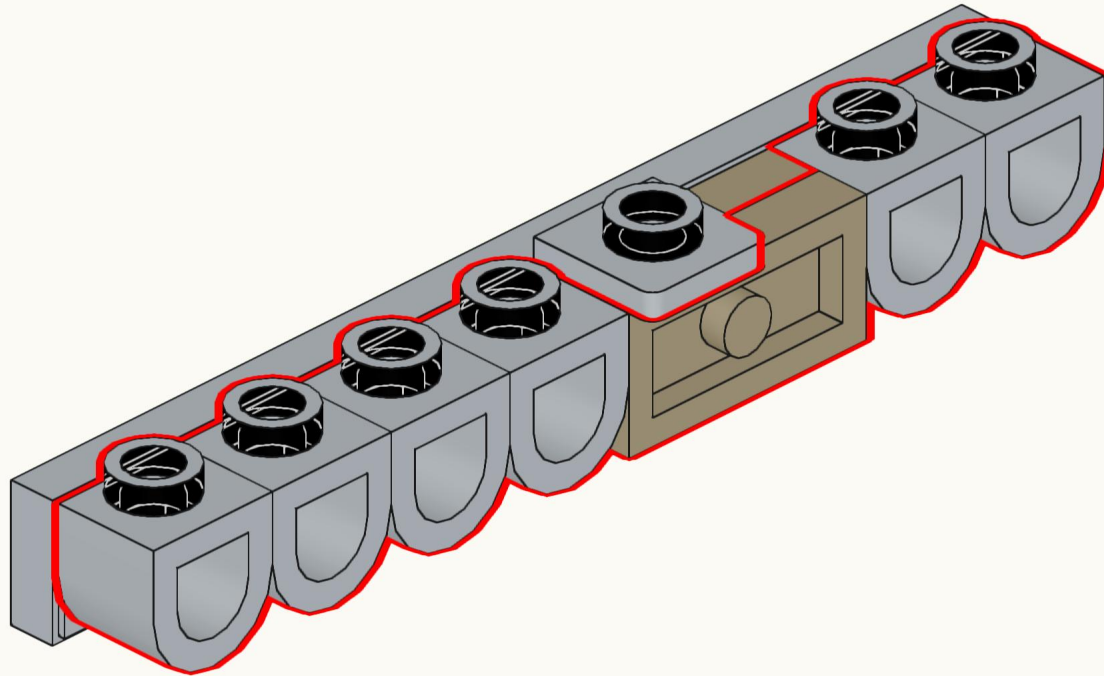


60

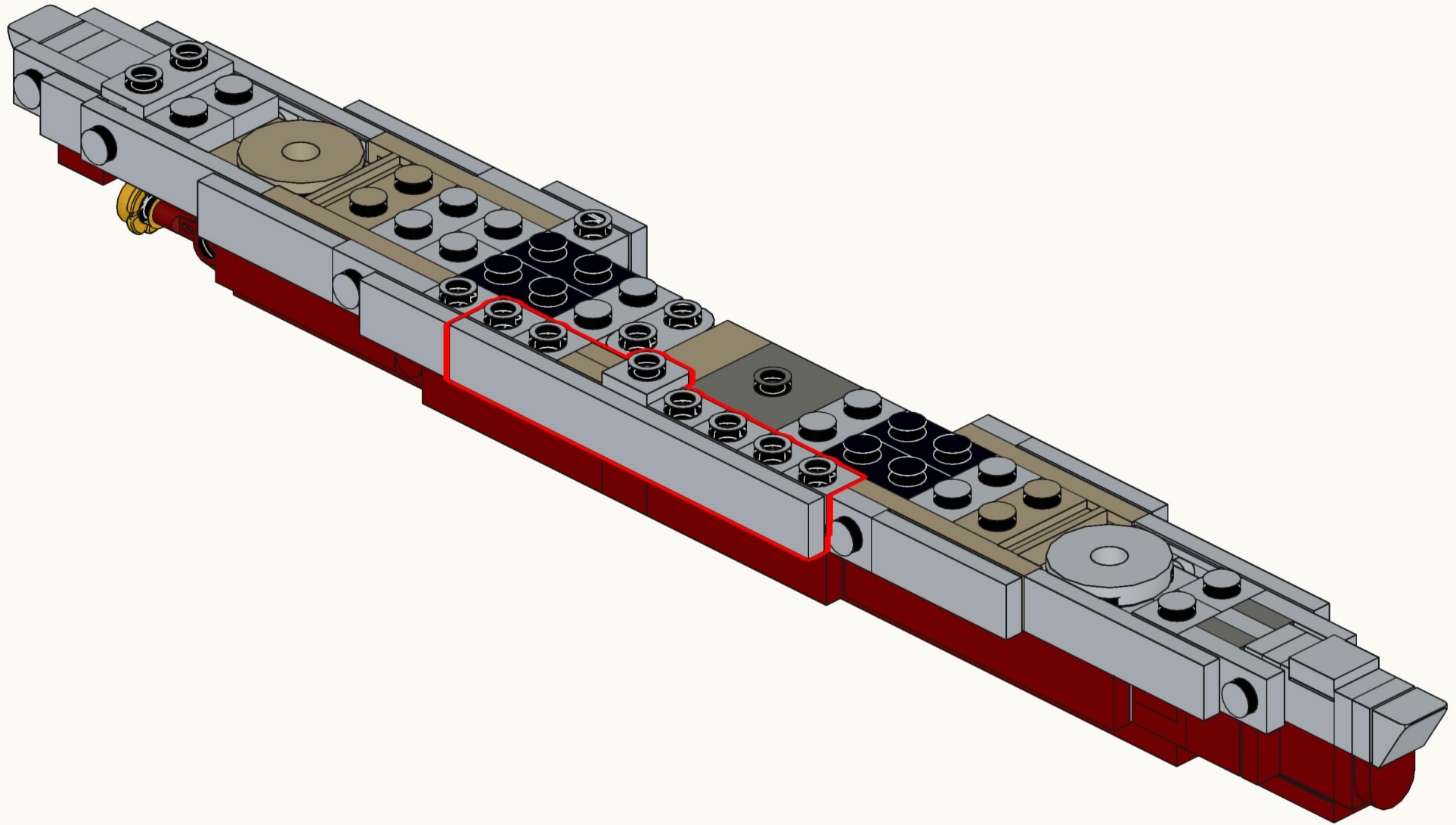


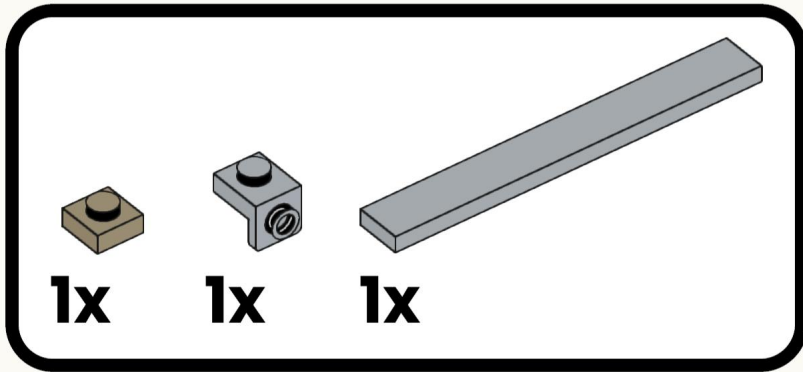
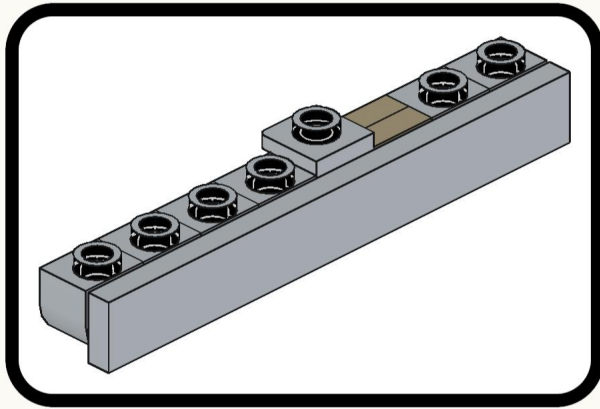


61

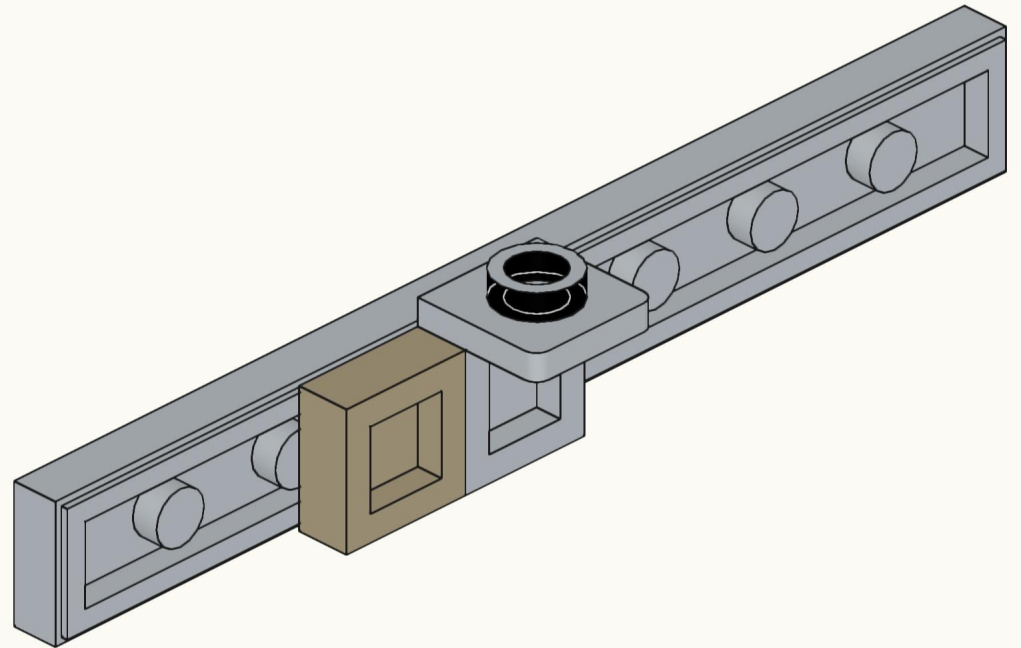


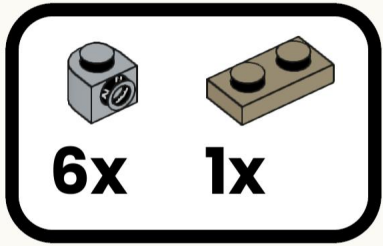
62



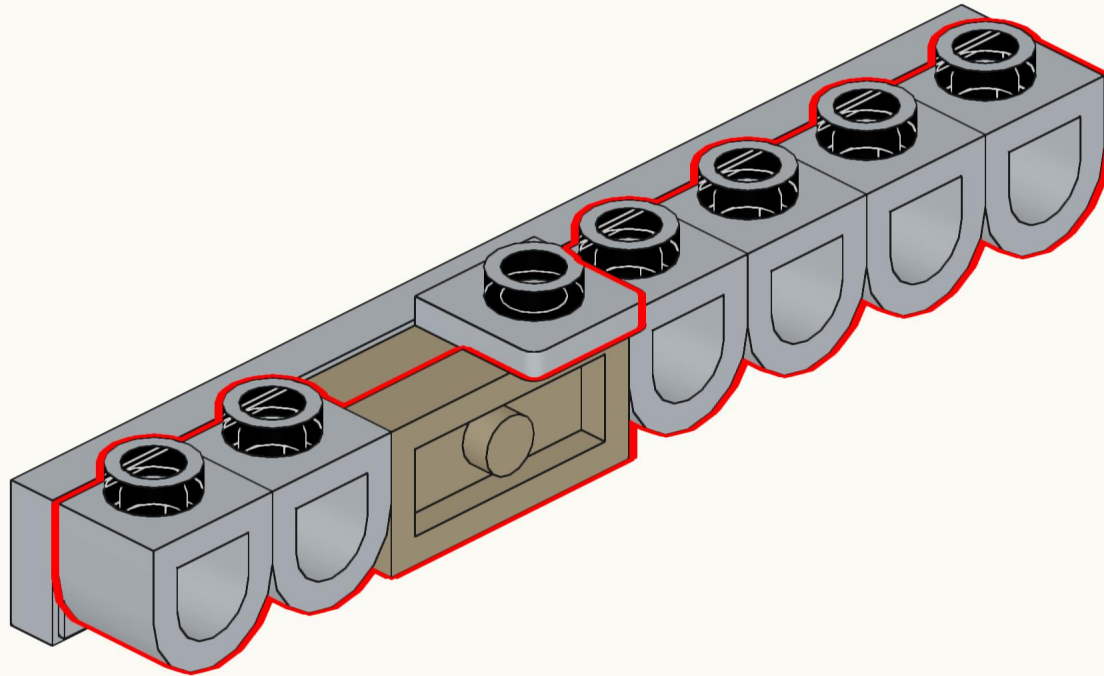


63

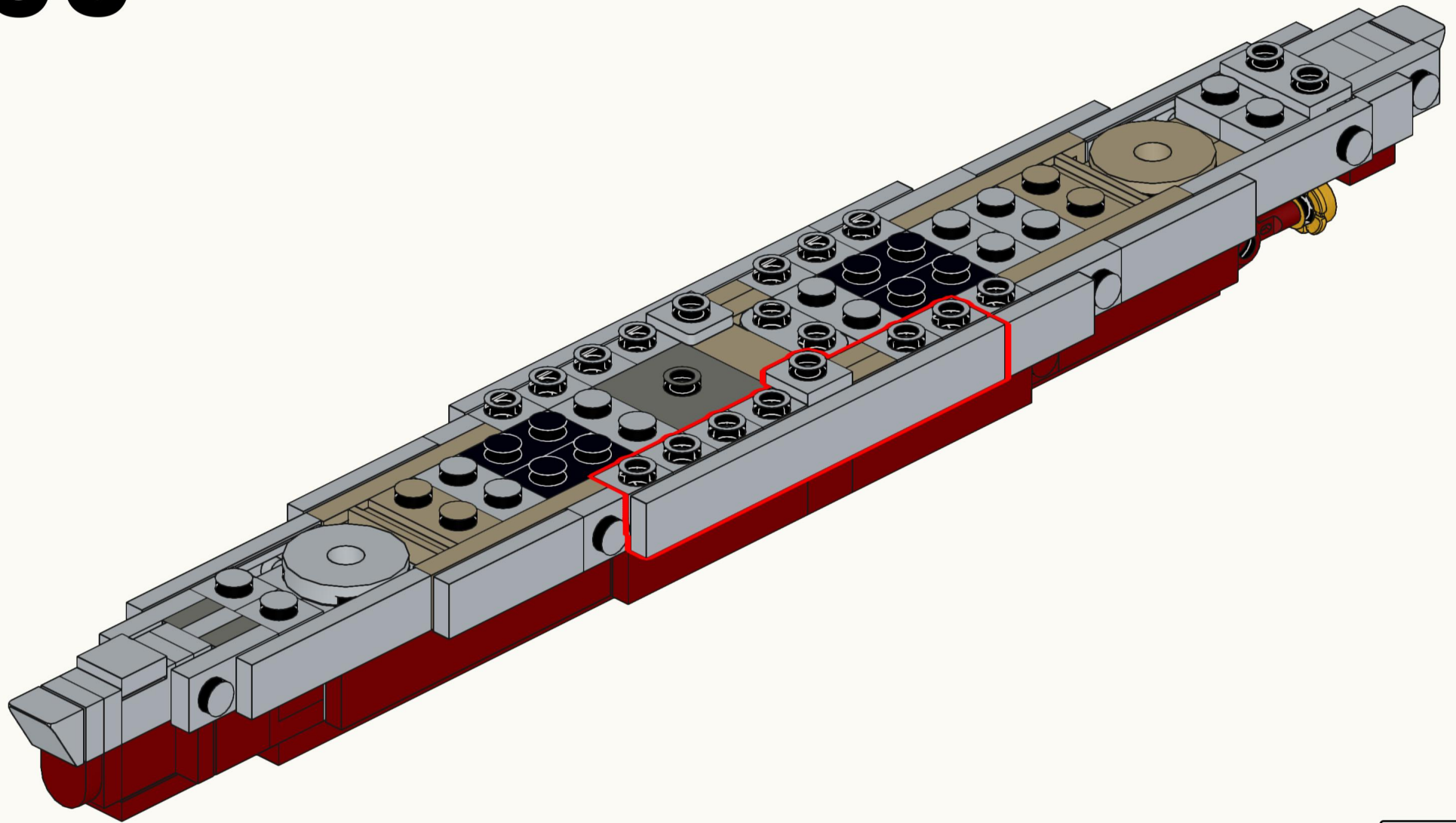


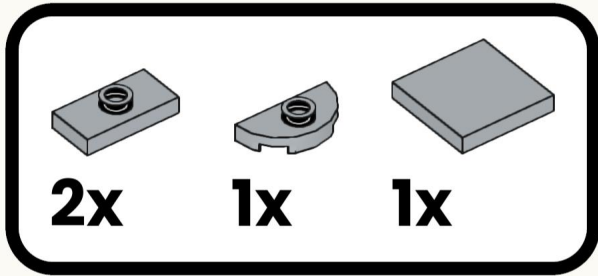


64



65

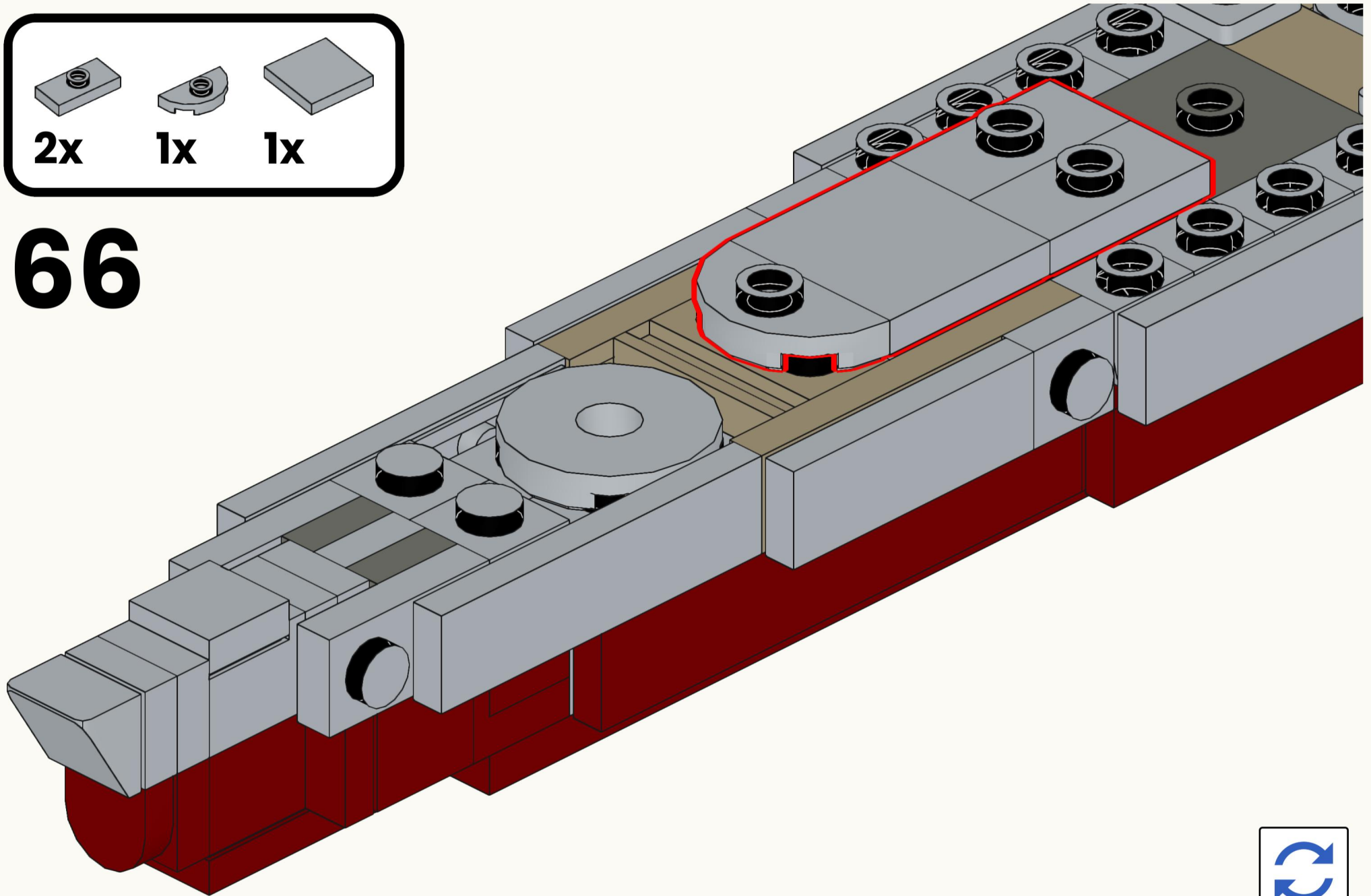


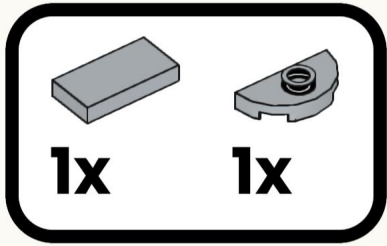


2x 1x 1x

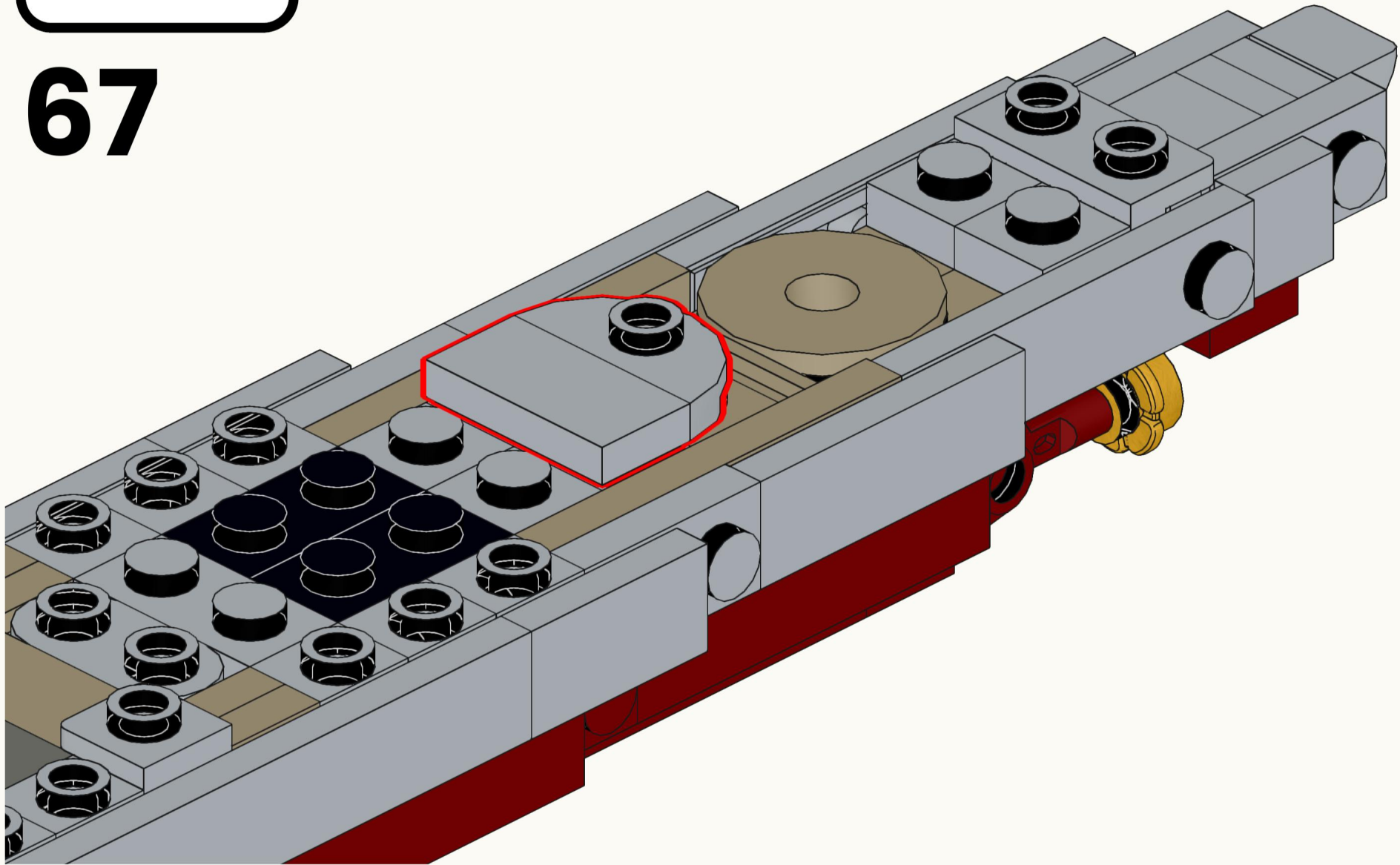
This block contains a parts list for step 66. It features three small icons: a grey 1x2 Technic brick with a hole, a grey 1/2 Technic brick with a hole, and a grey 1x2 Technic plate. Below each icon is its quantity: '2x', '1x', and '1x' respectively.

66

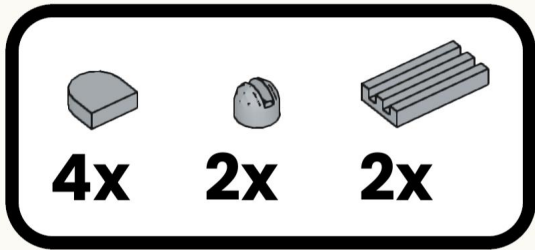




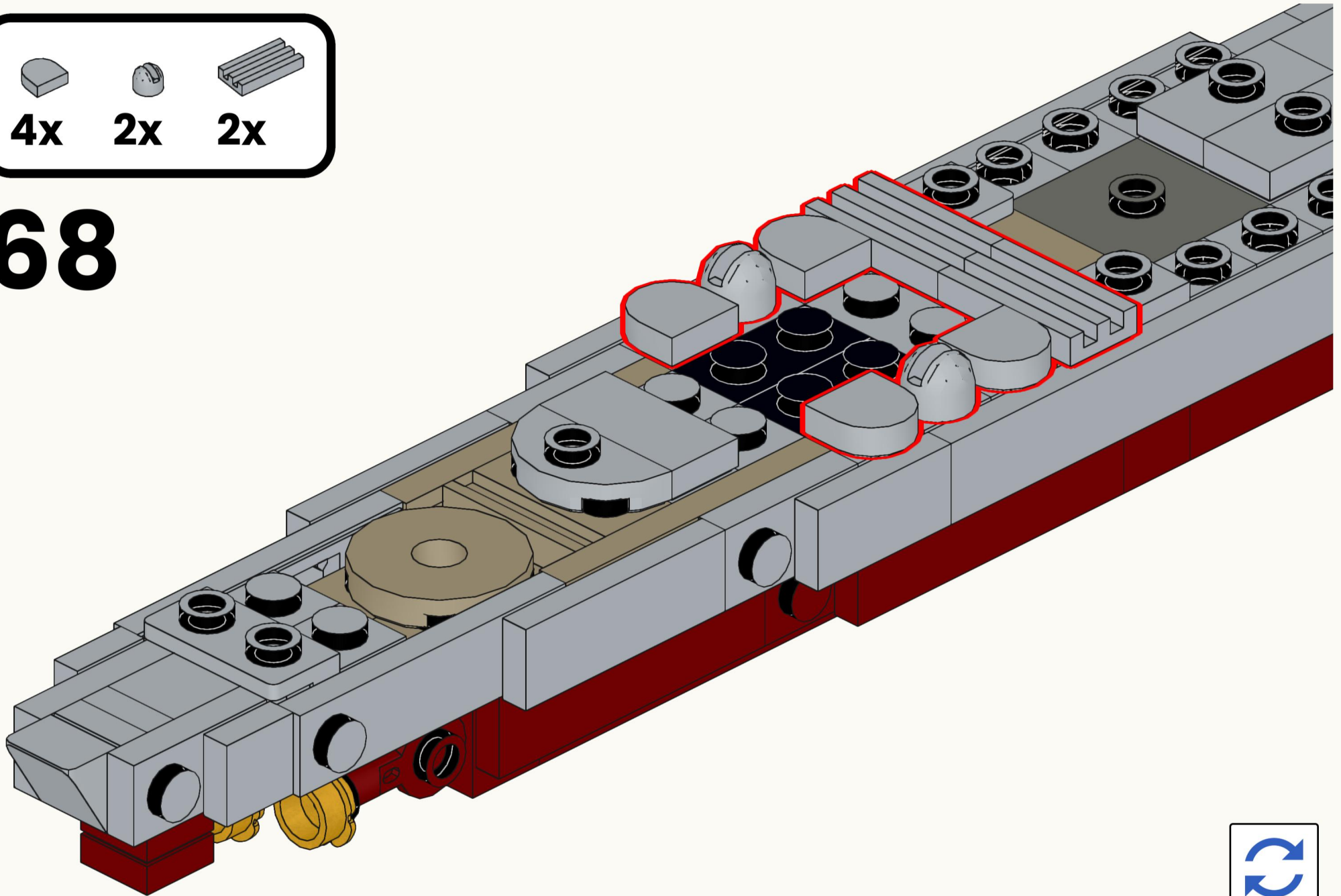
67

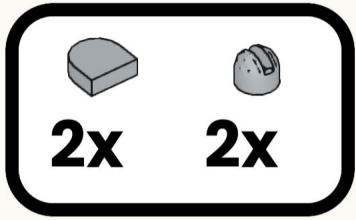


4x 2x 2x

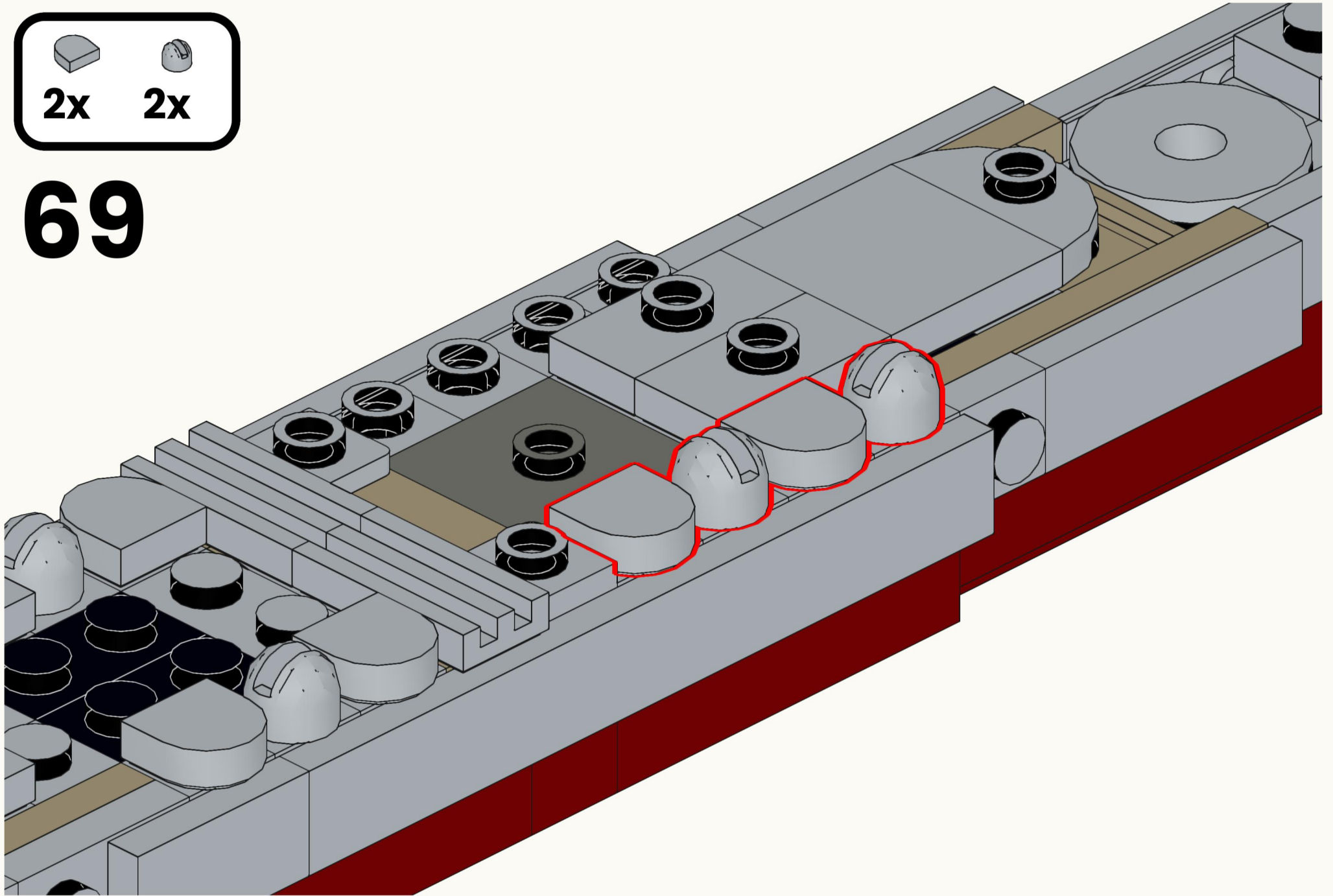


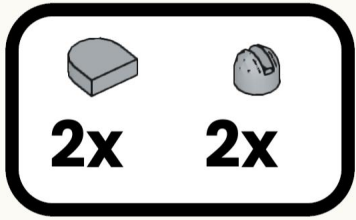
68



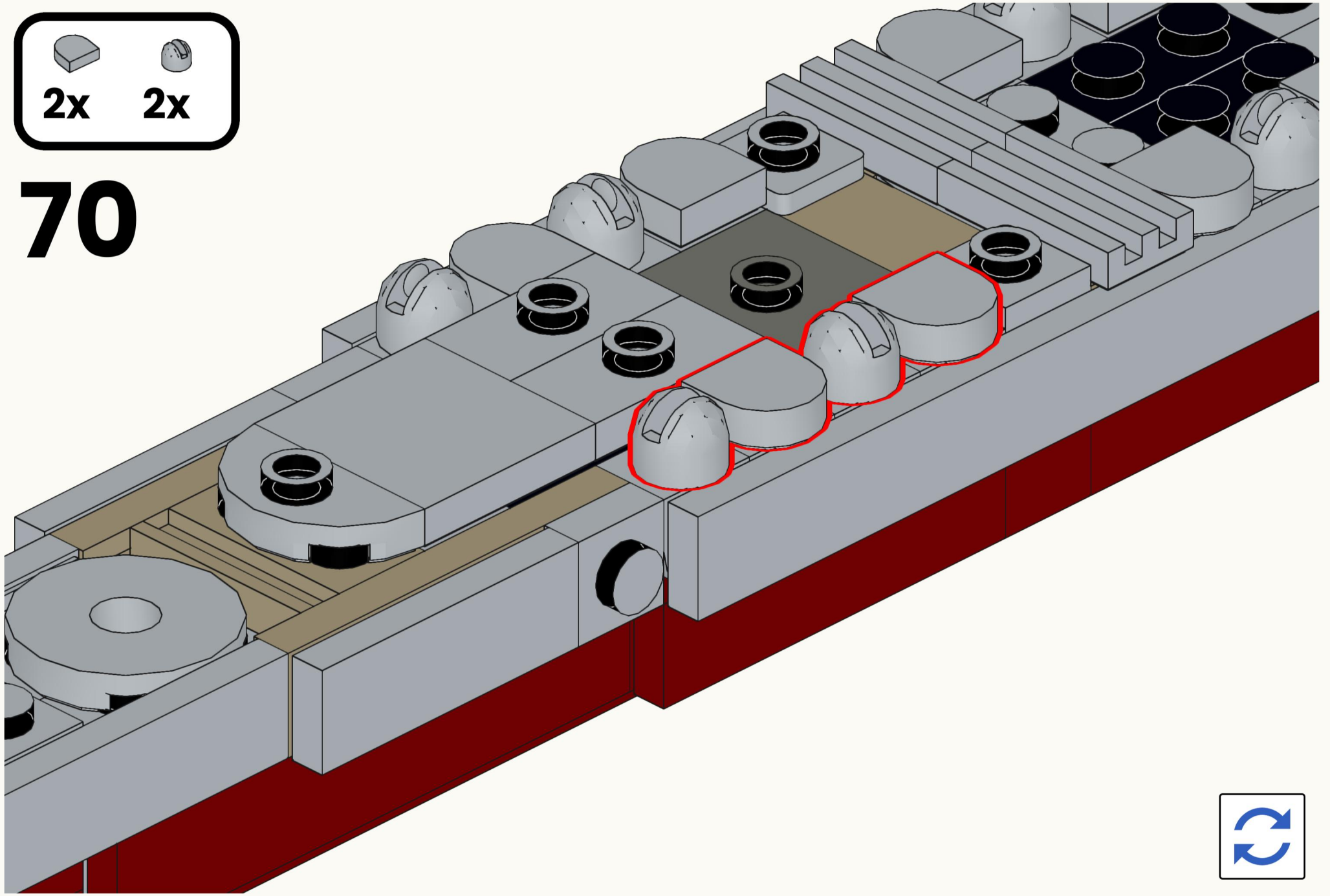


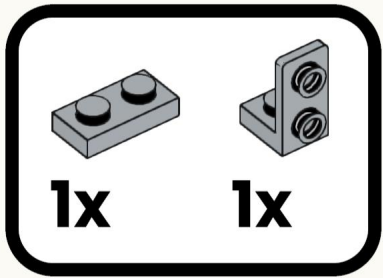
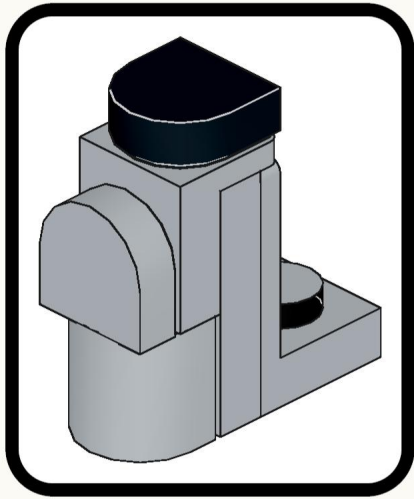
69



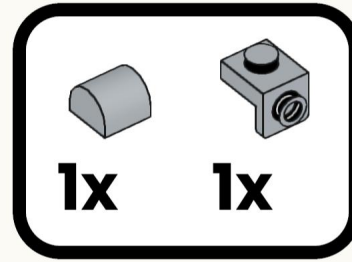
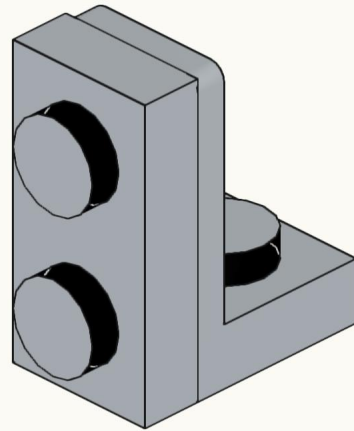


70

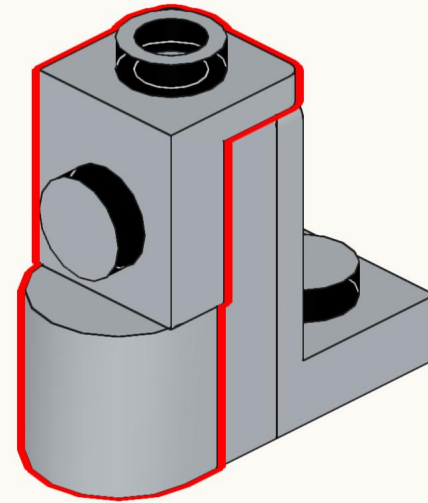


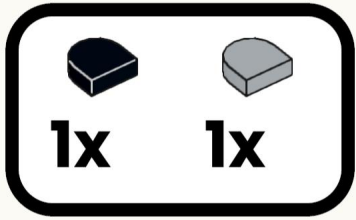


71

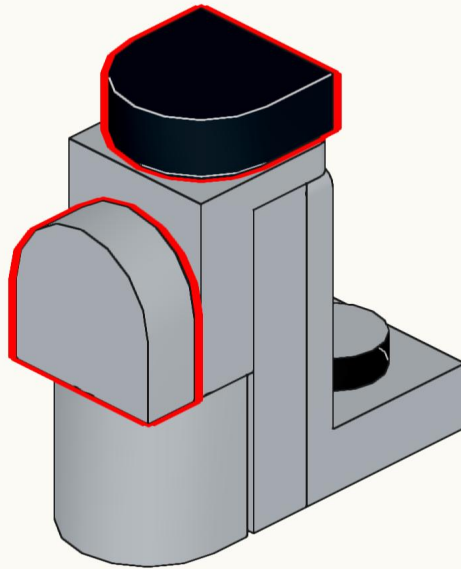


72

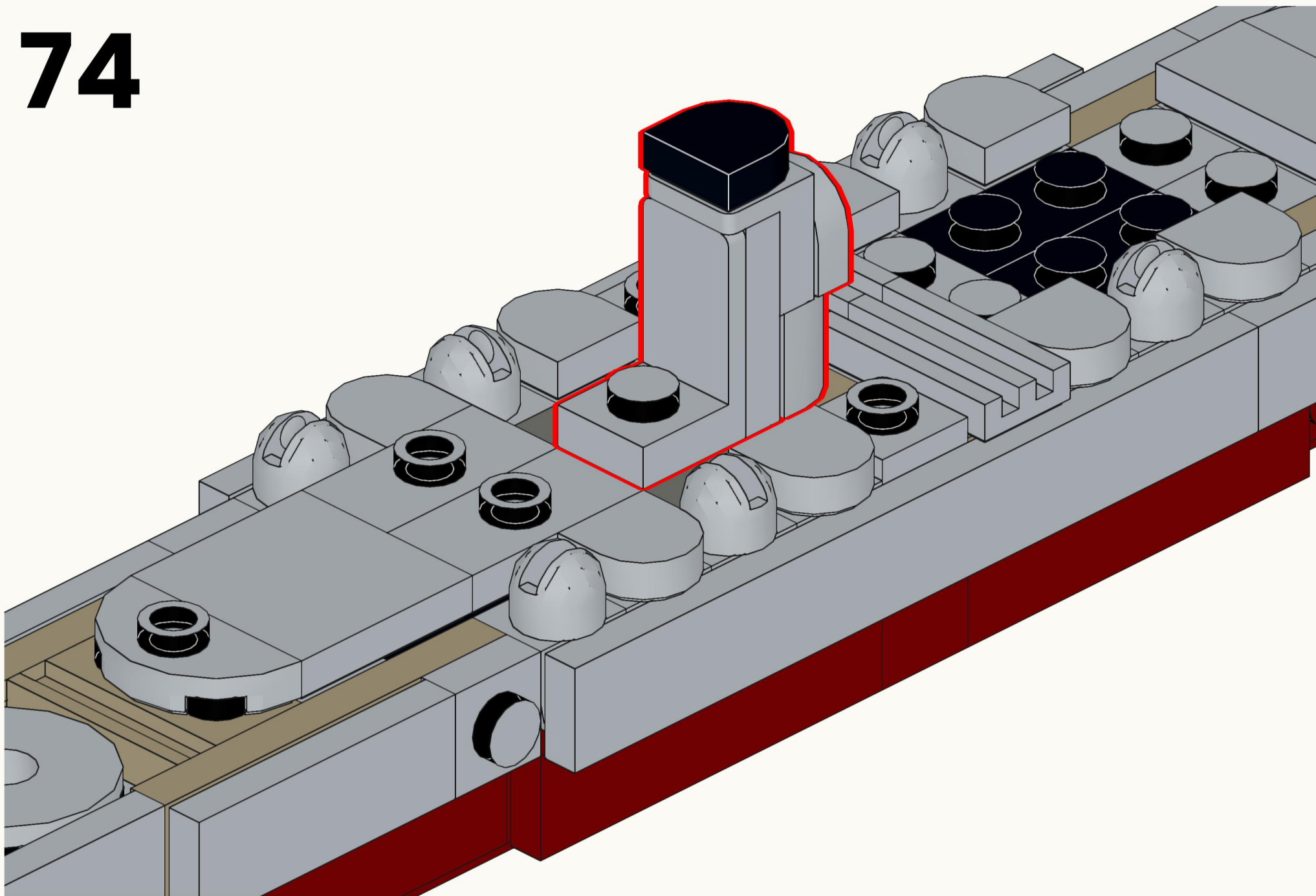


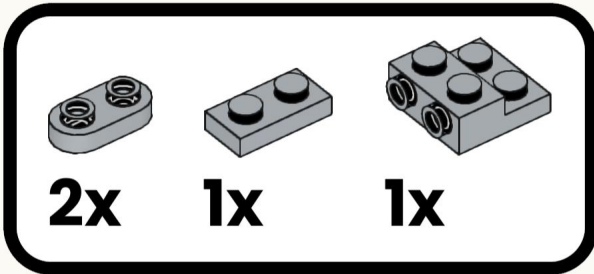
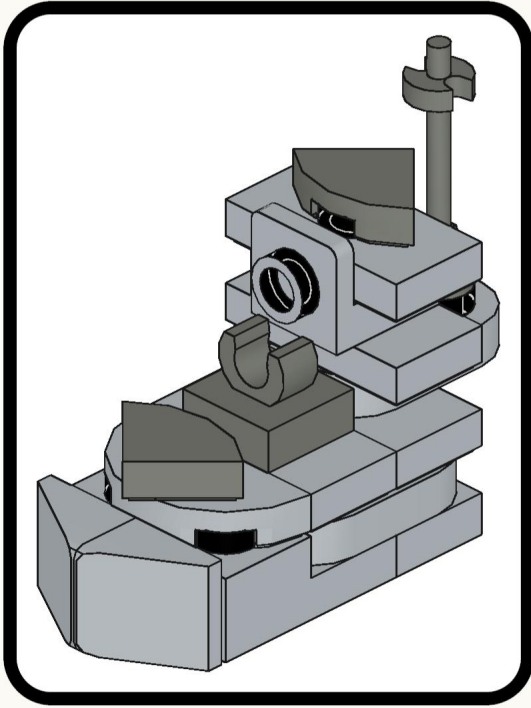


73

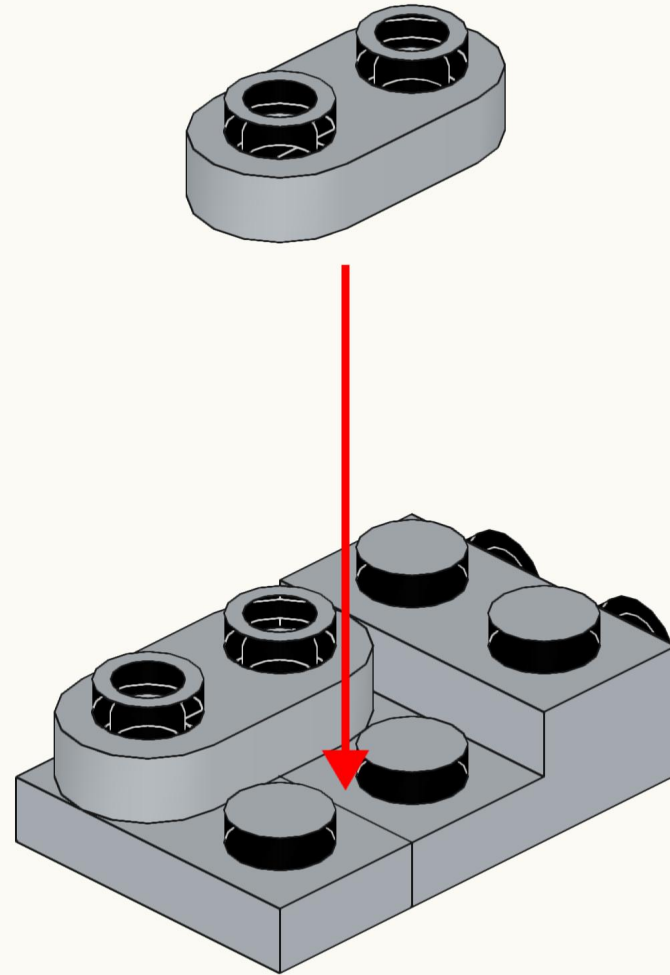


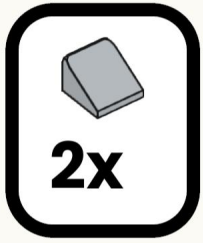
74



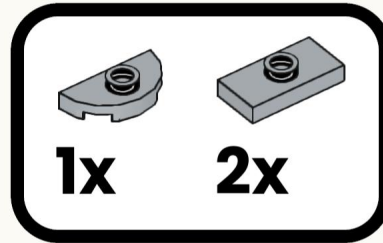
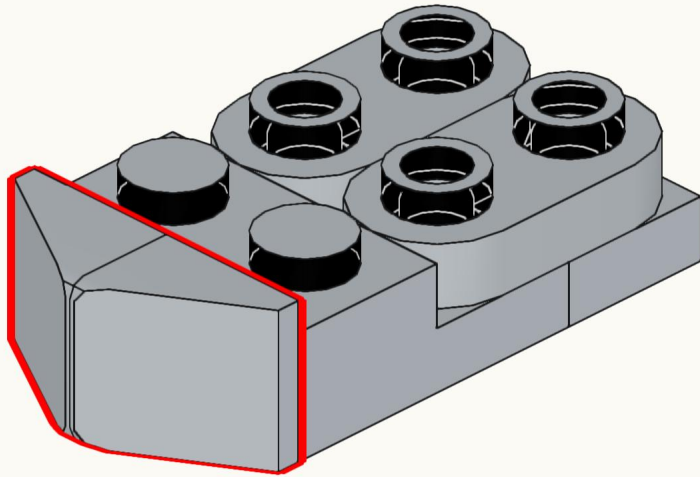


76

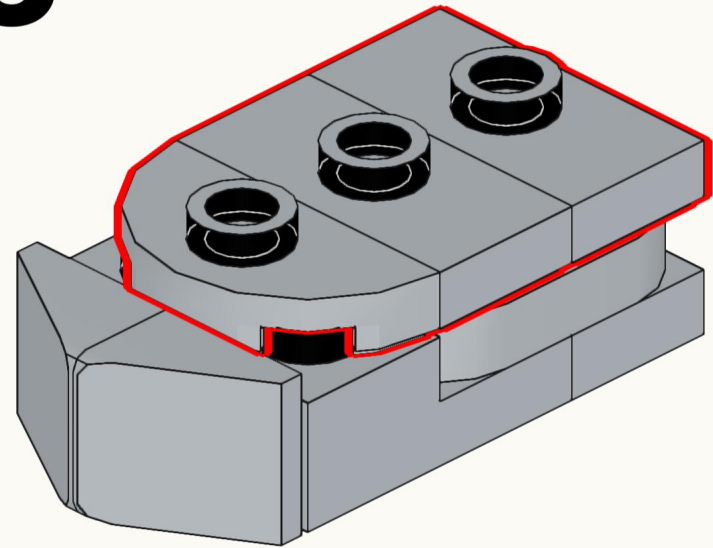


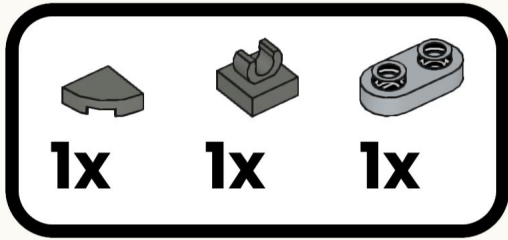


77

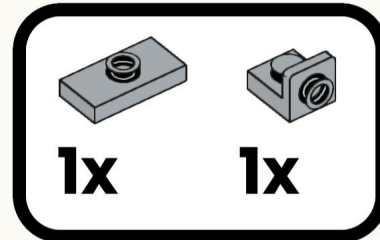
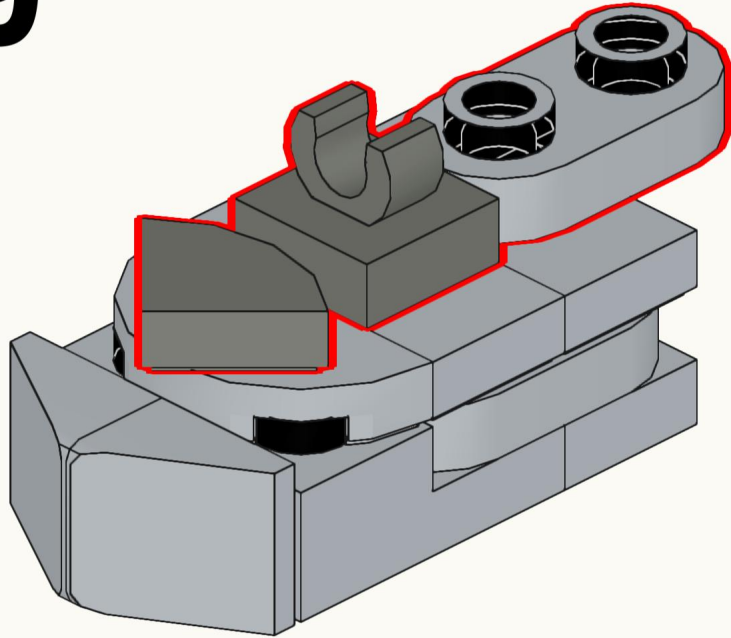


78

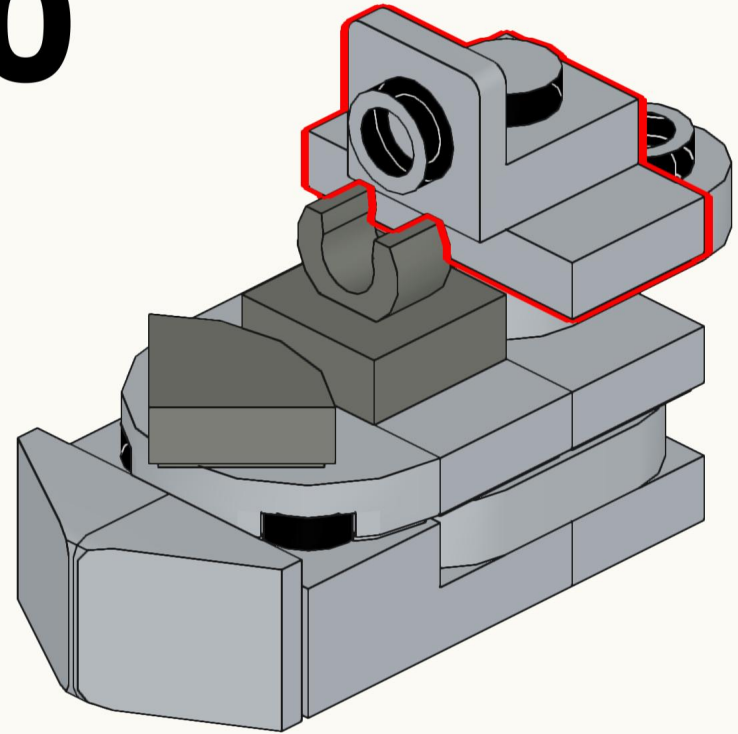


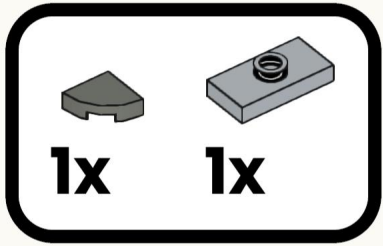


79

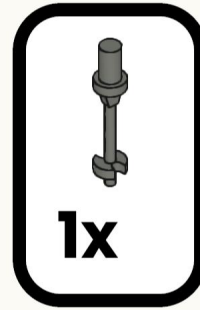
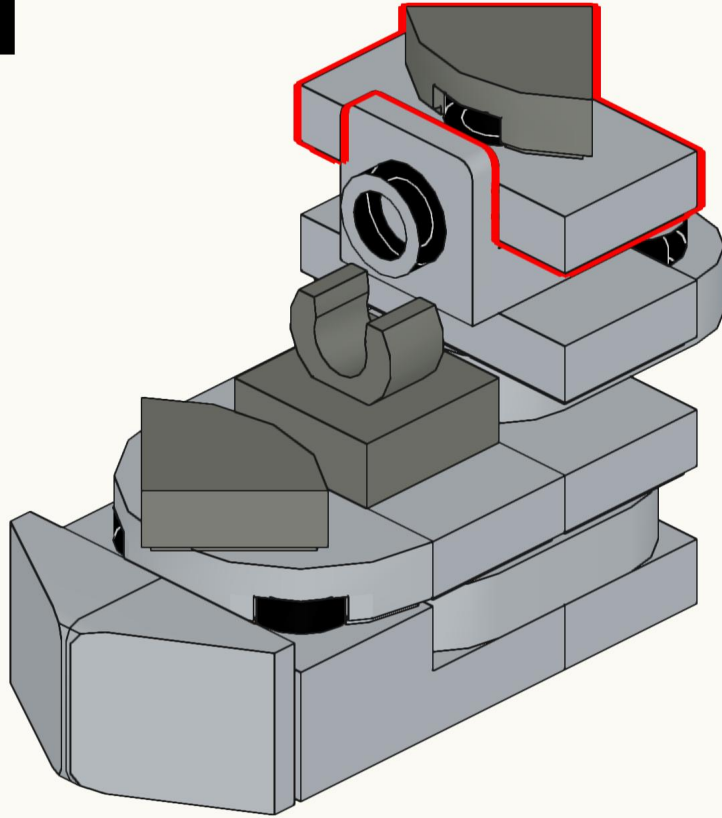


80

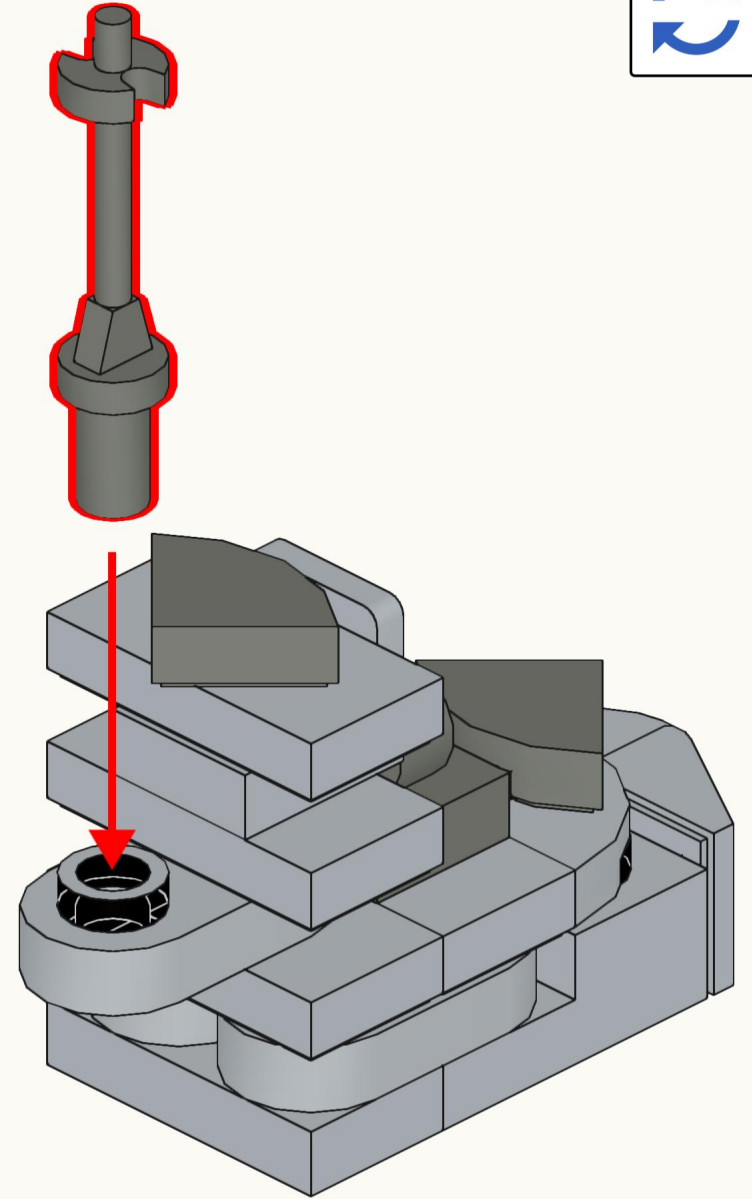




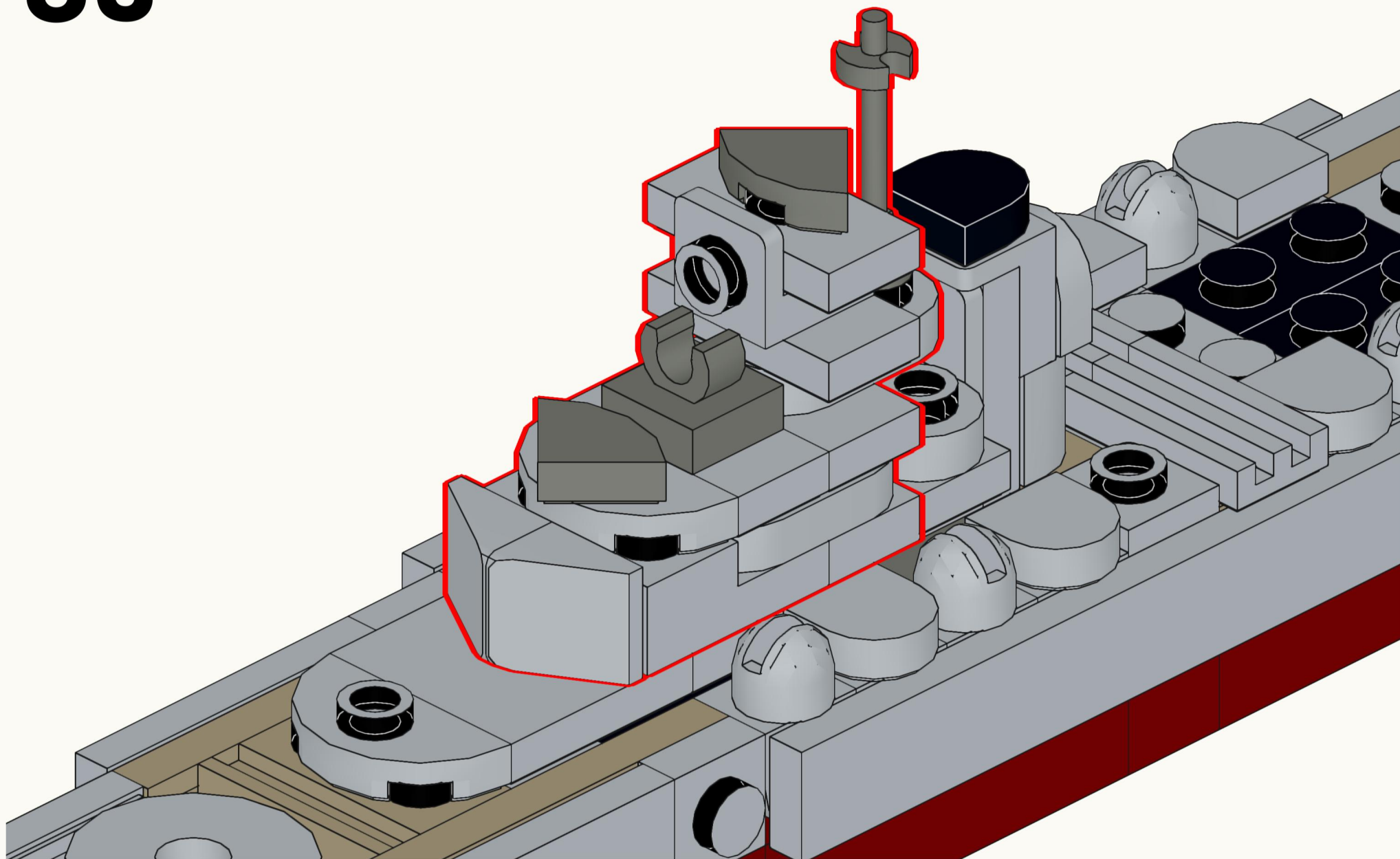
81

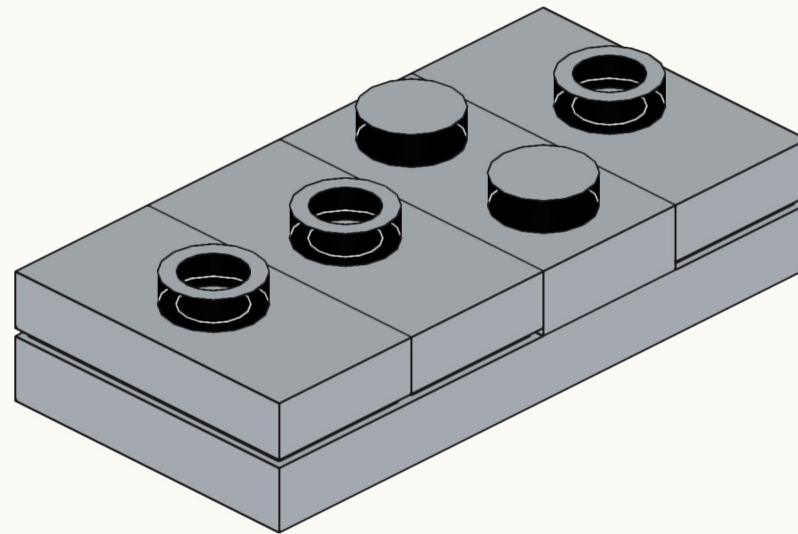
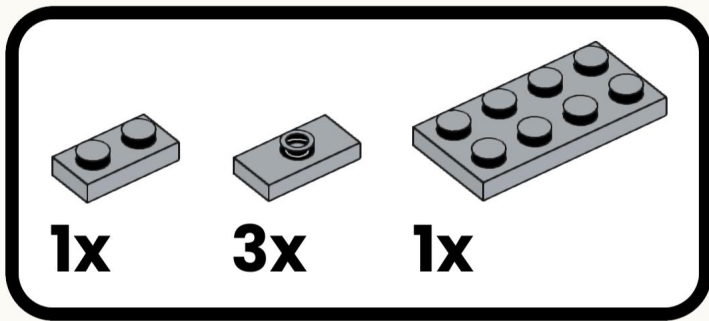
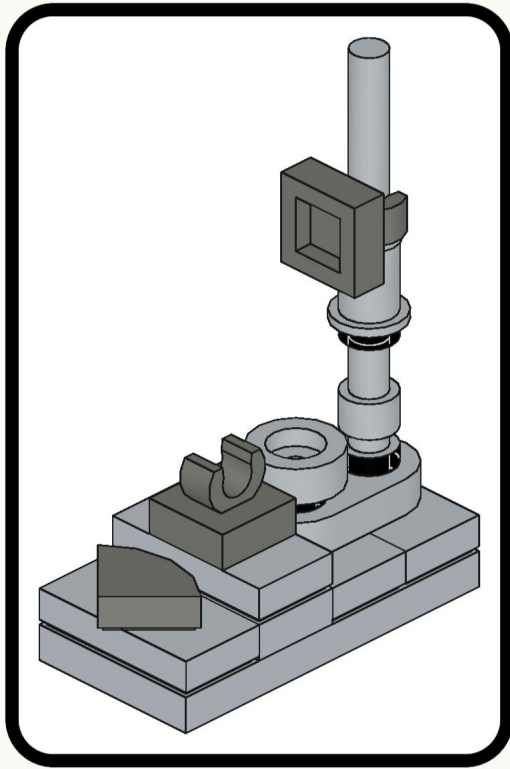


82

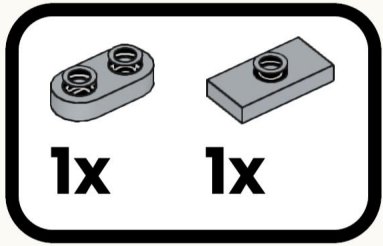


83

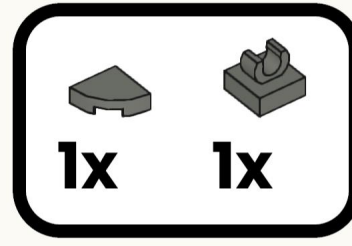
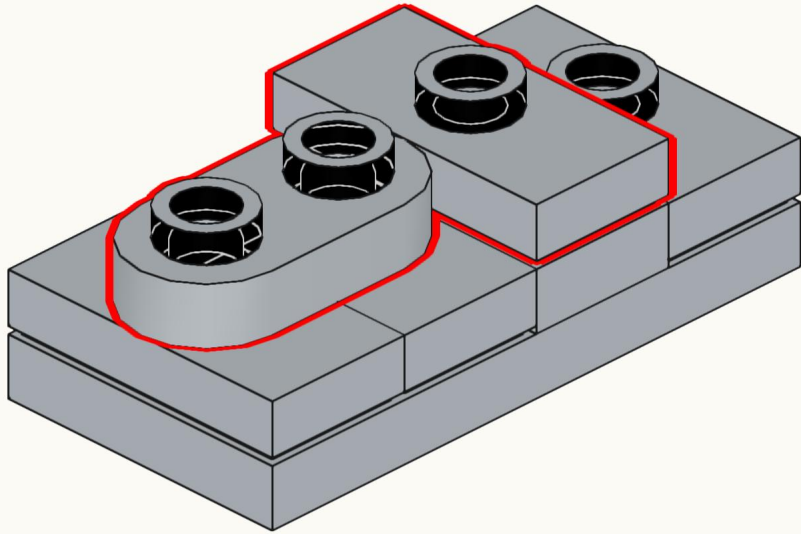




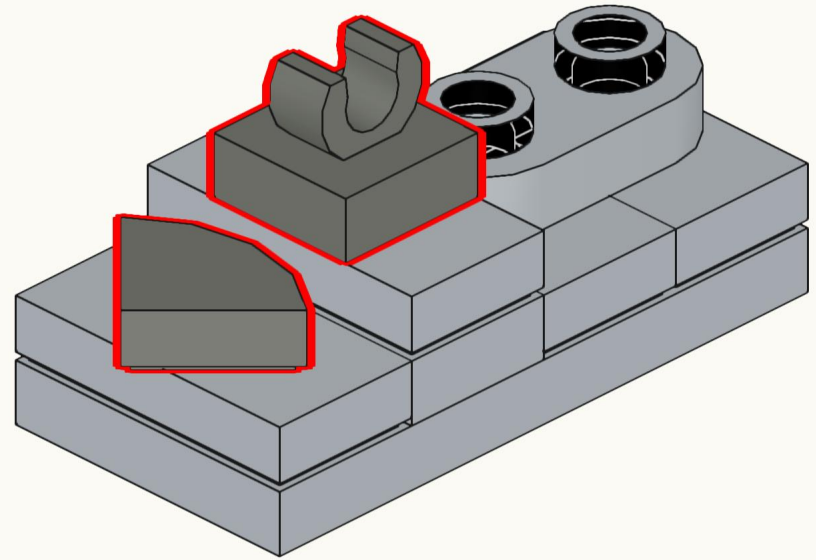
84

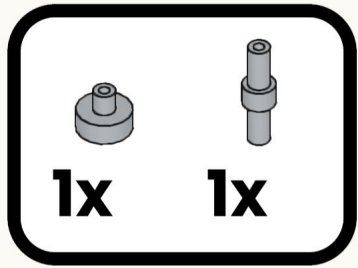


85

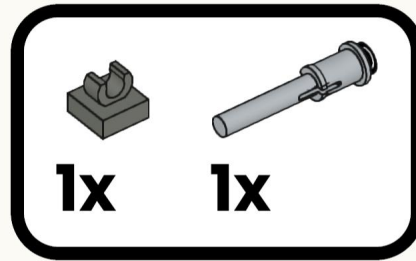
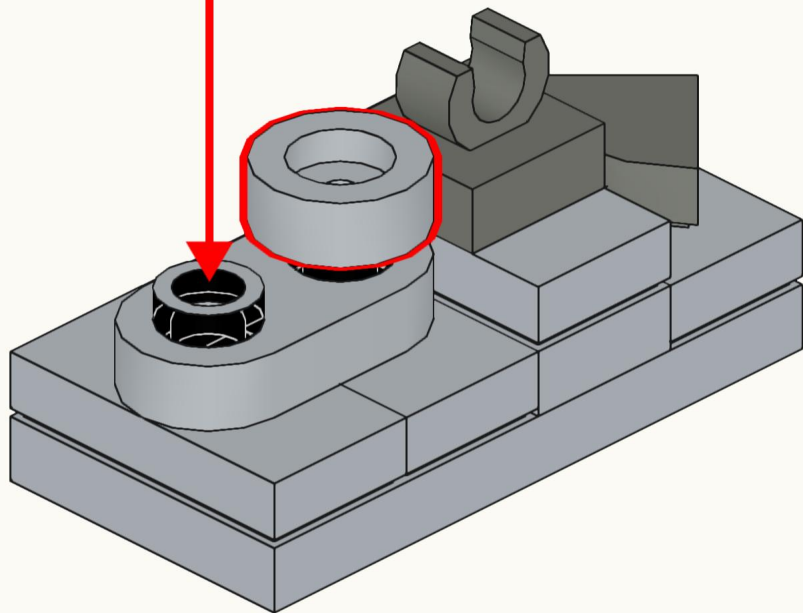
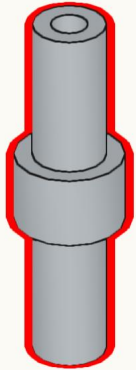


86

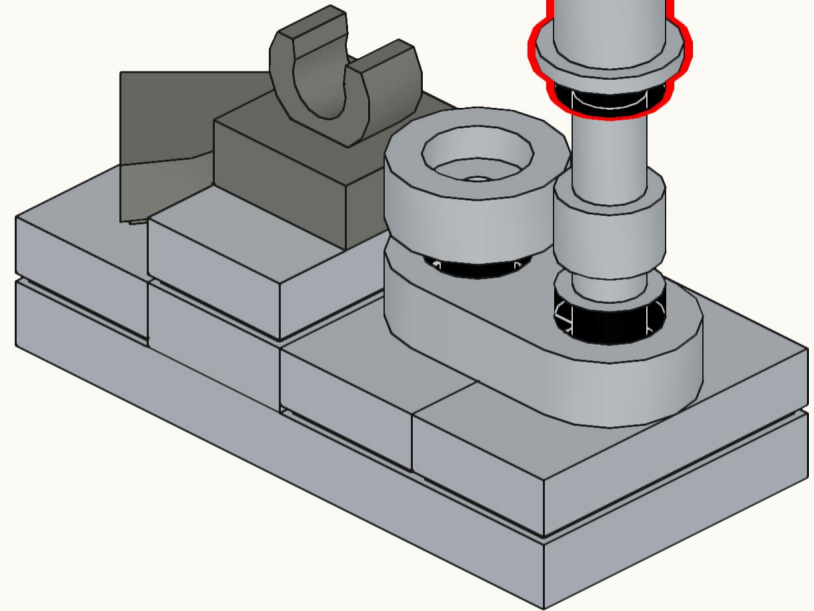
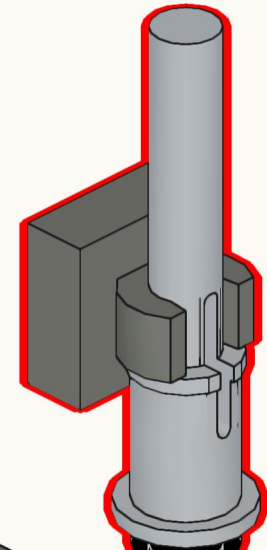




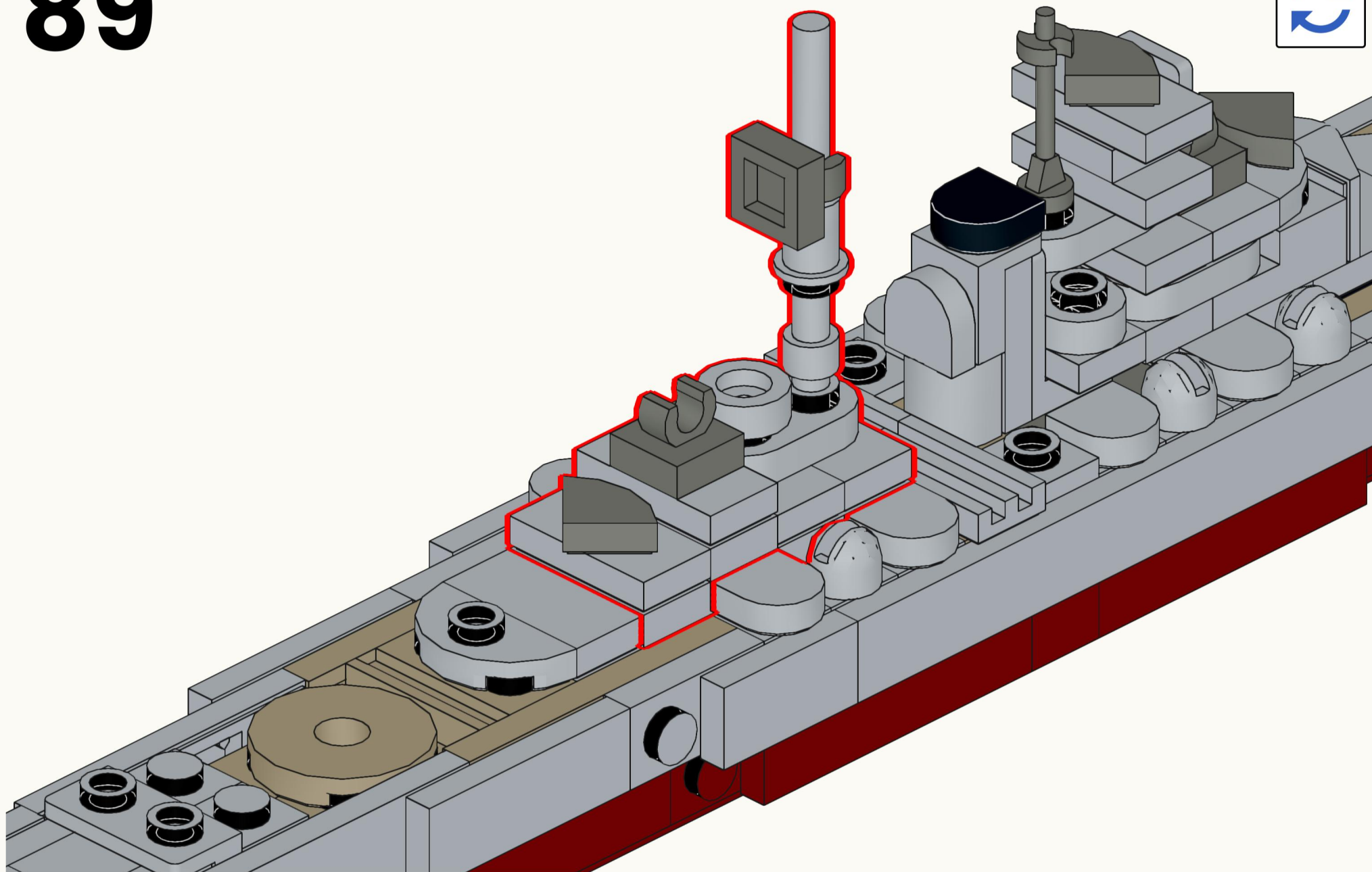
87

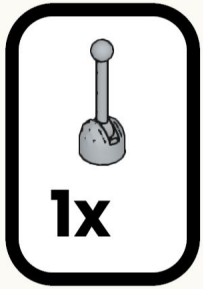


88

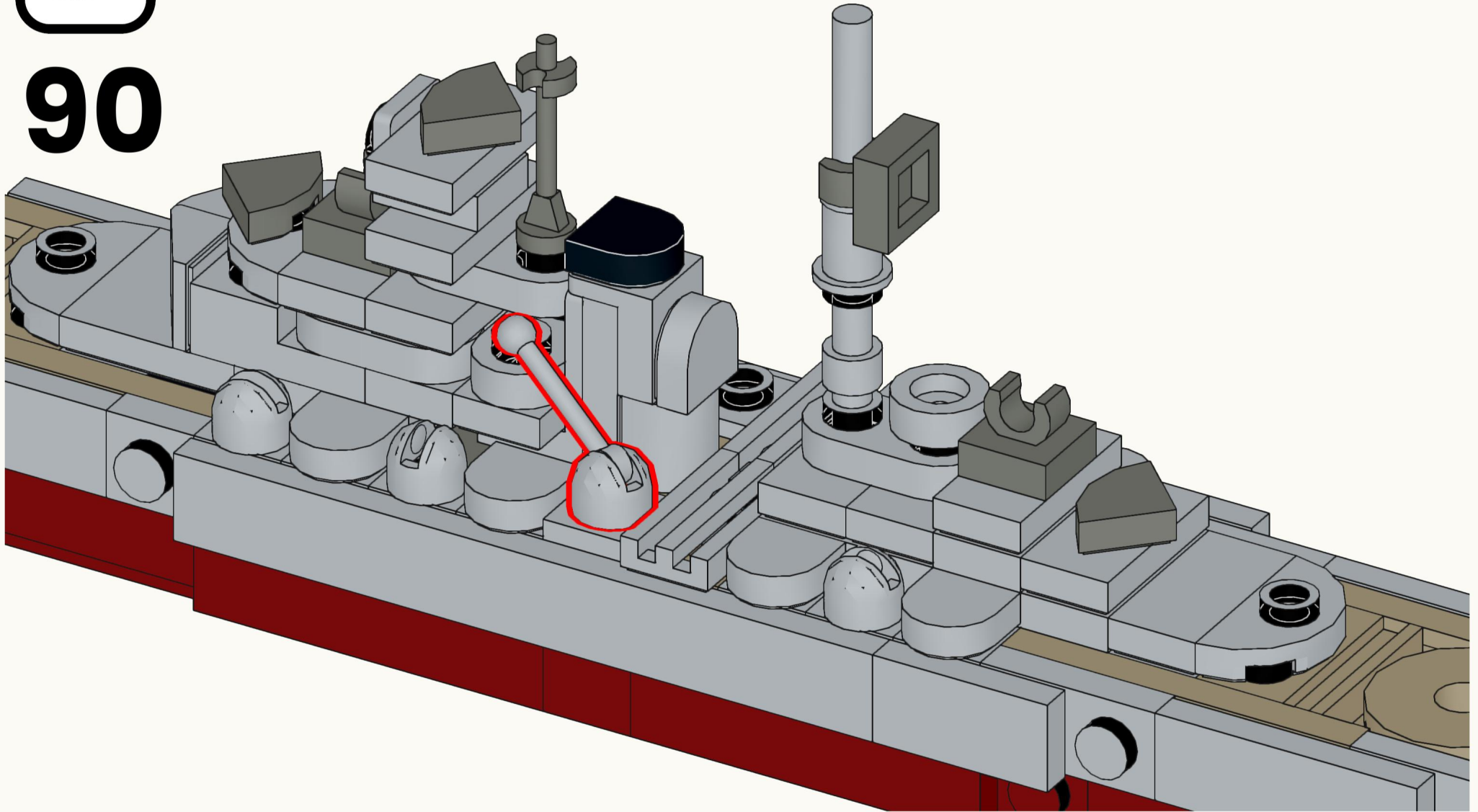


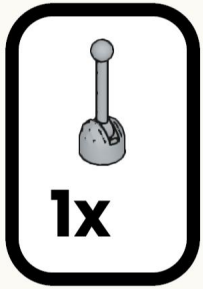
89



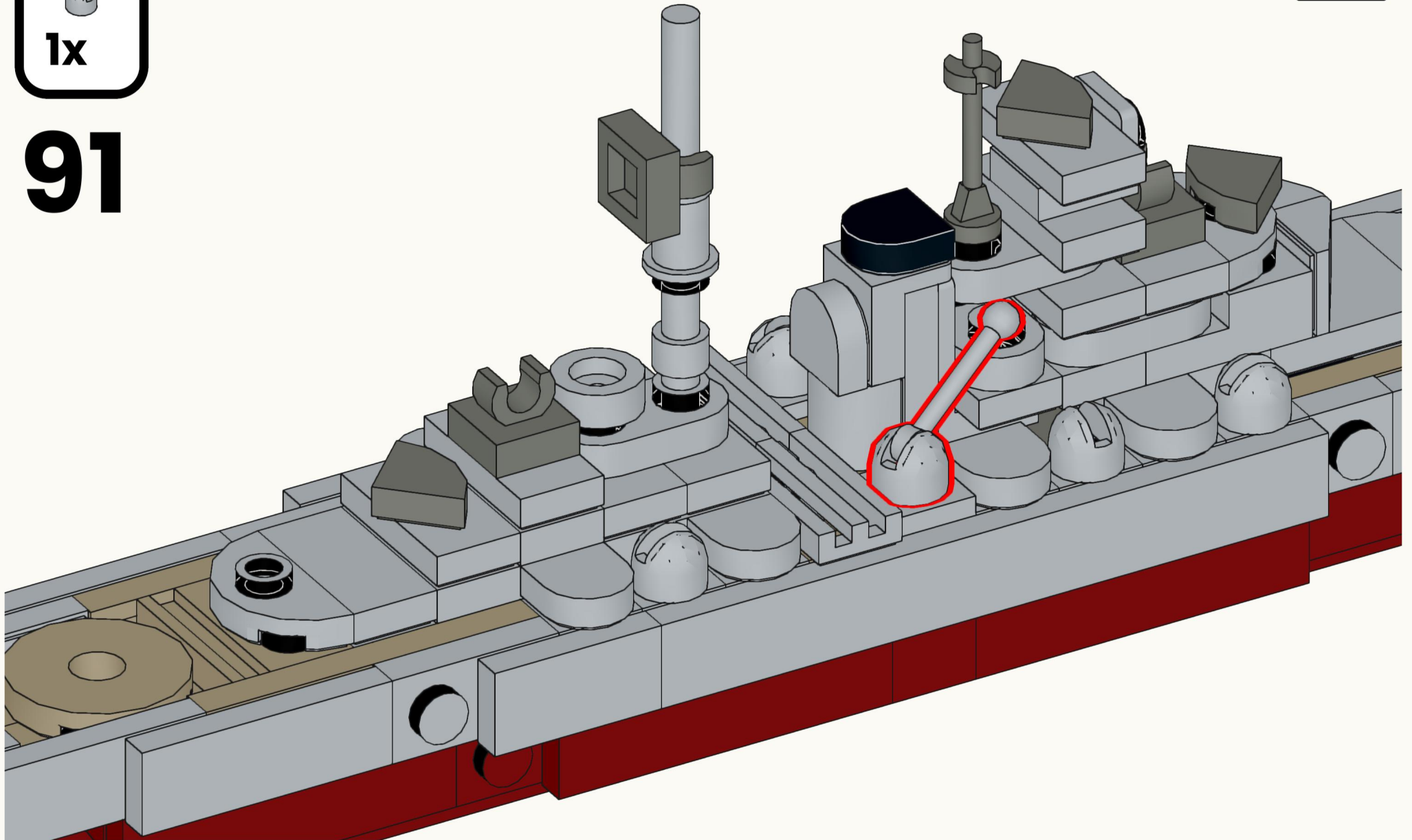


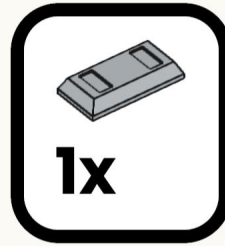
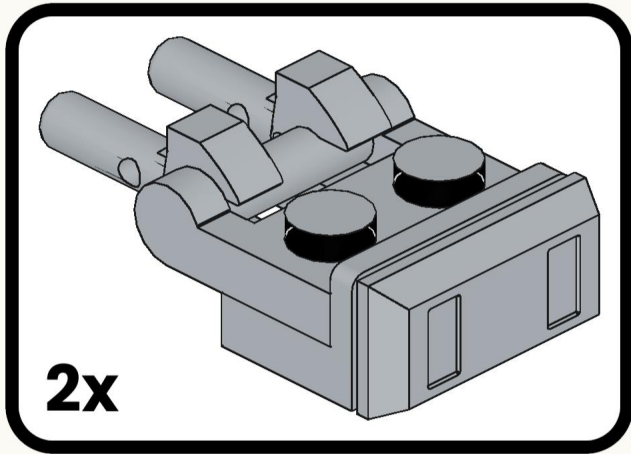
90



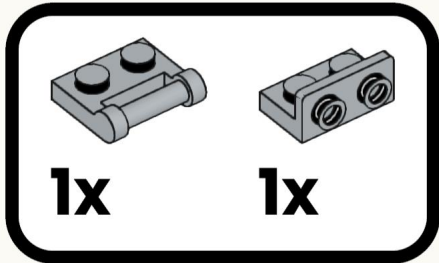


91

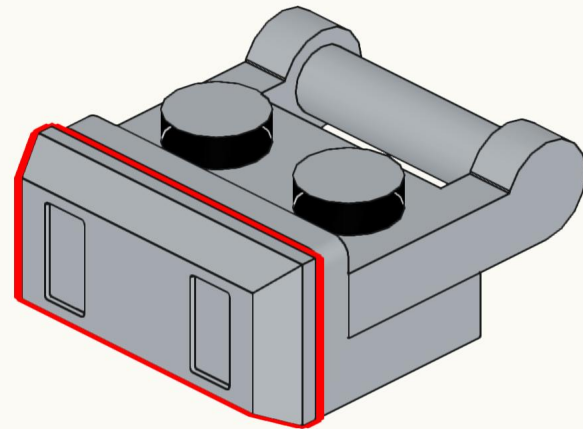
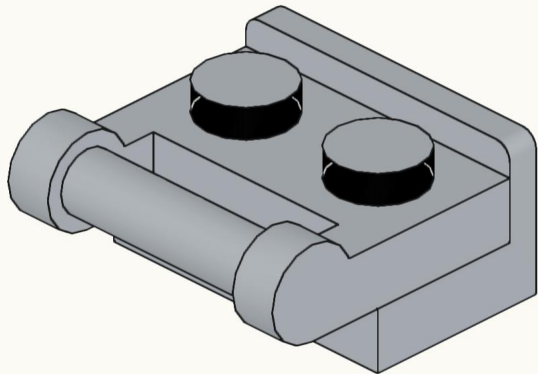


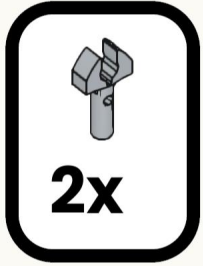


93

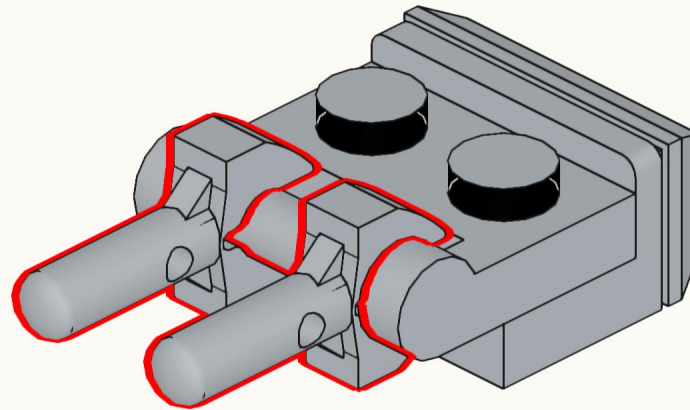


92

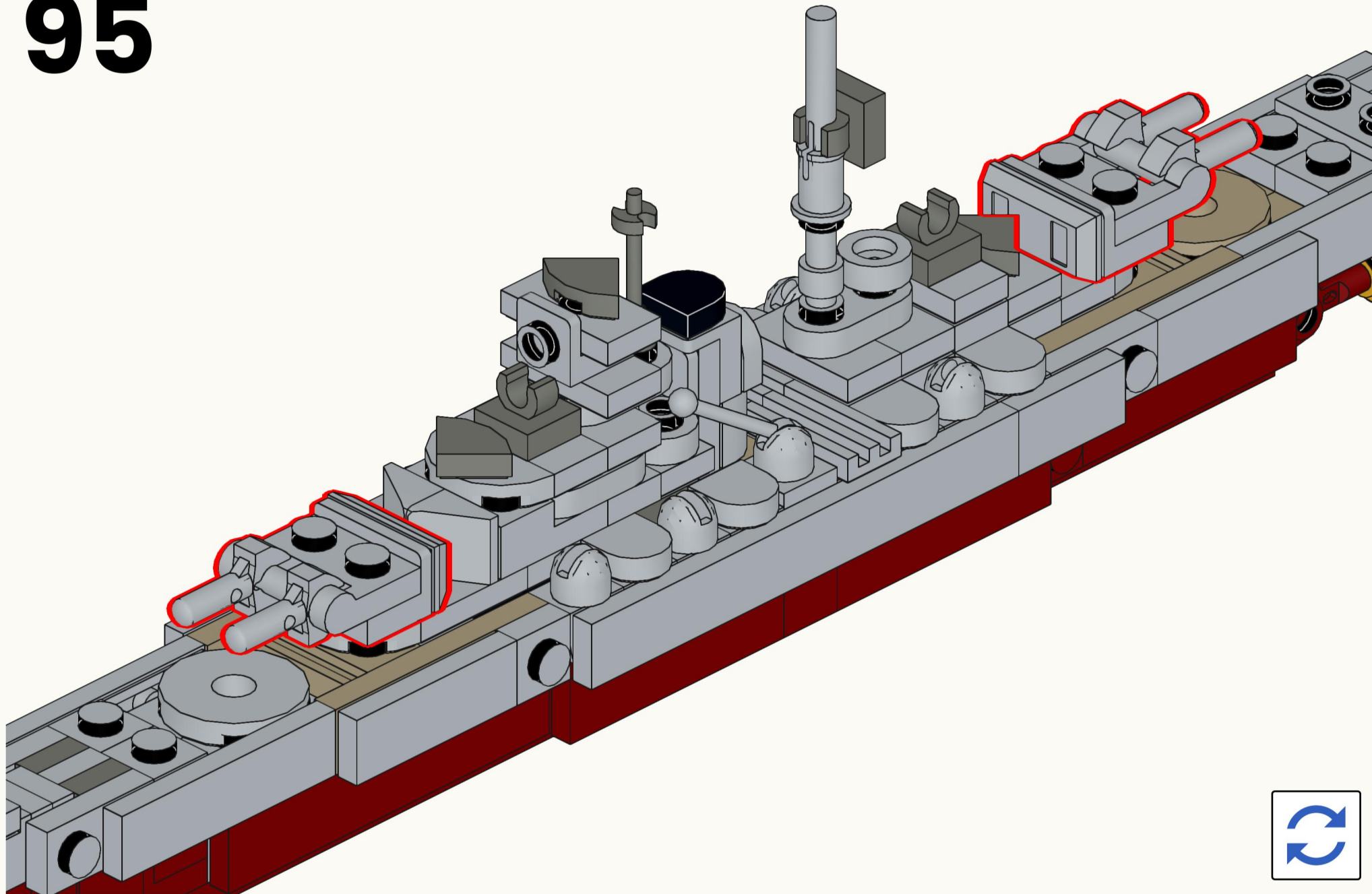


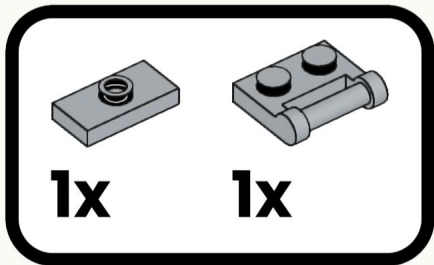
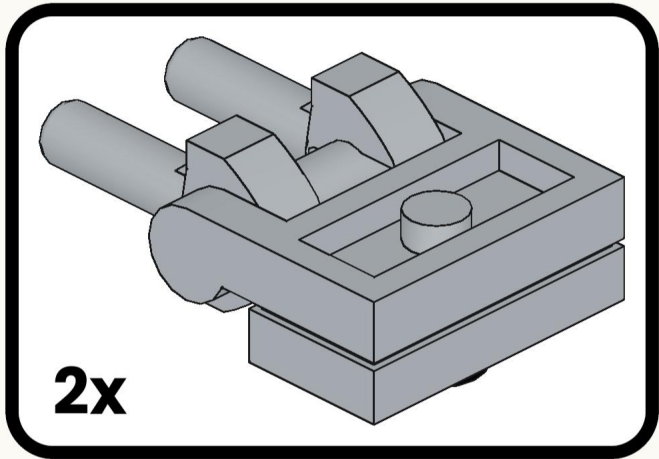


94

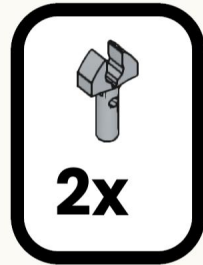
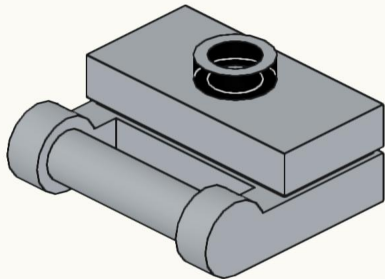


95

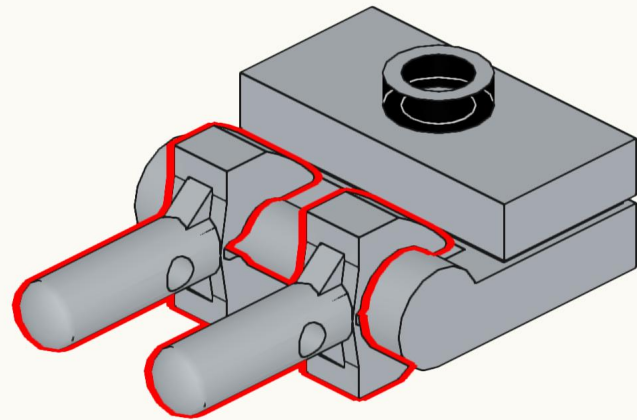




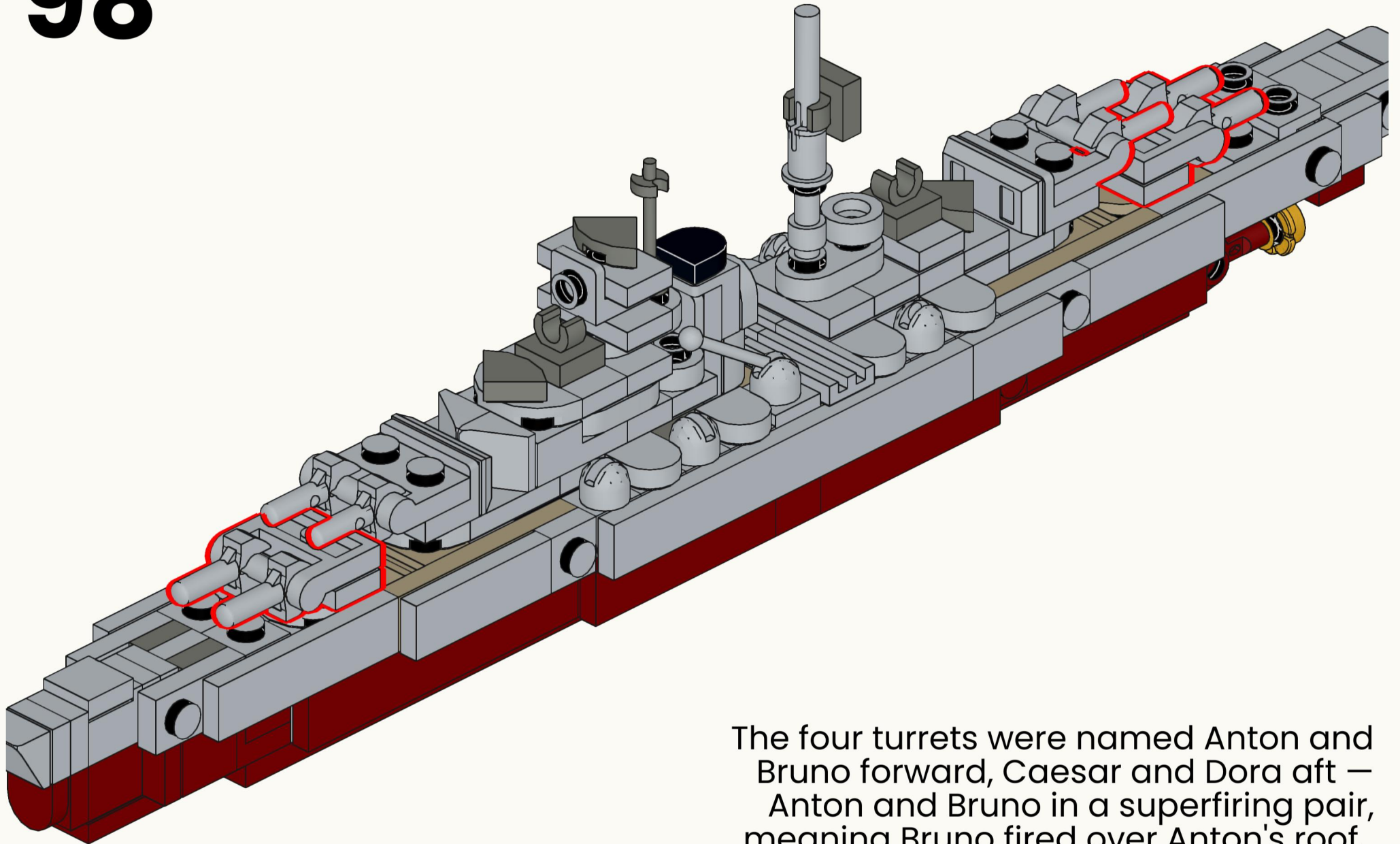
96



97

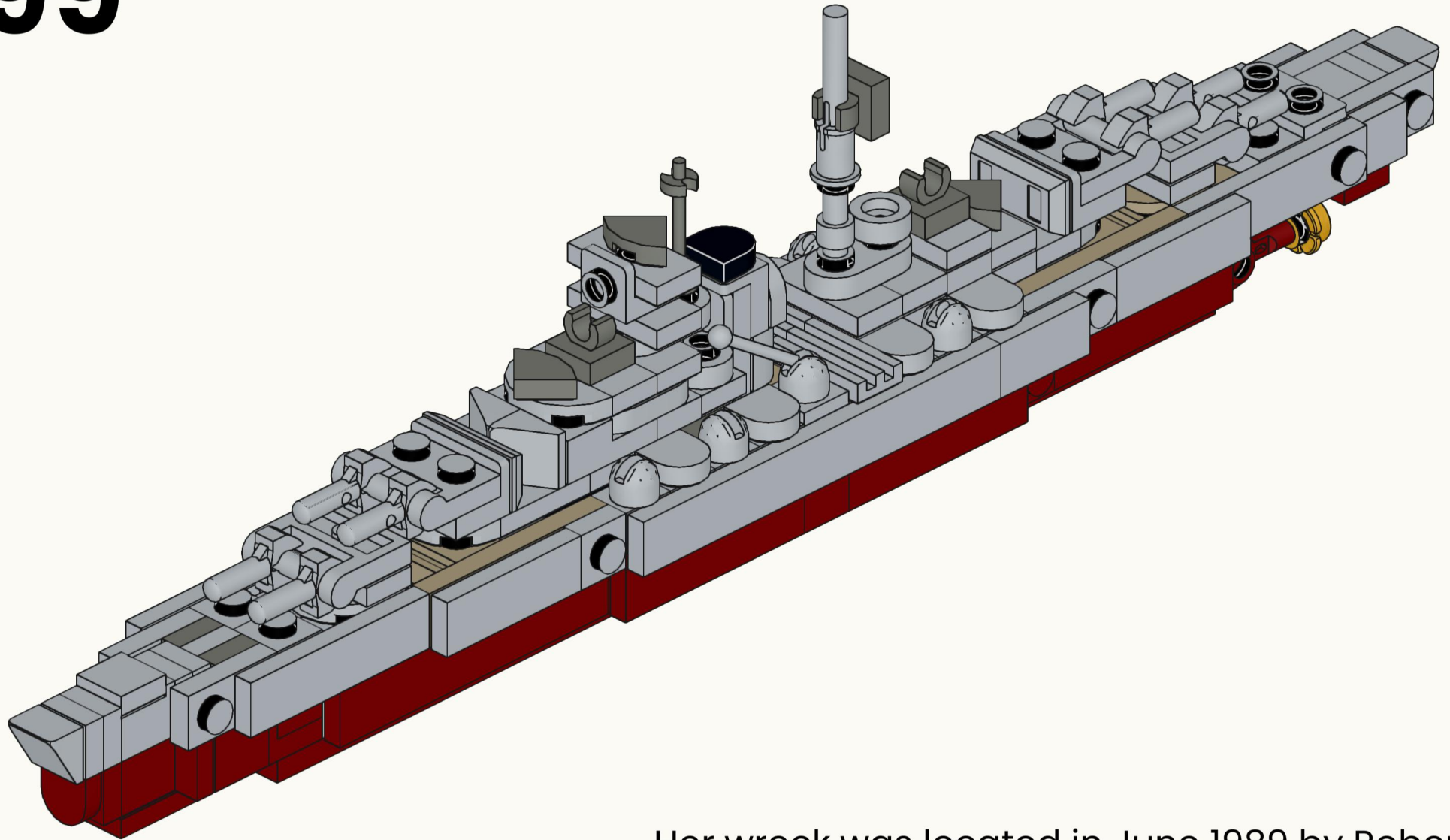


98

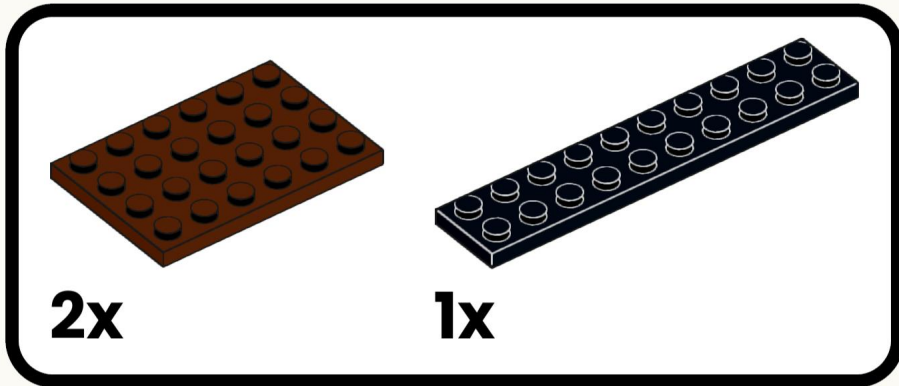
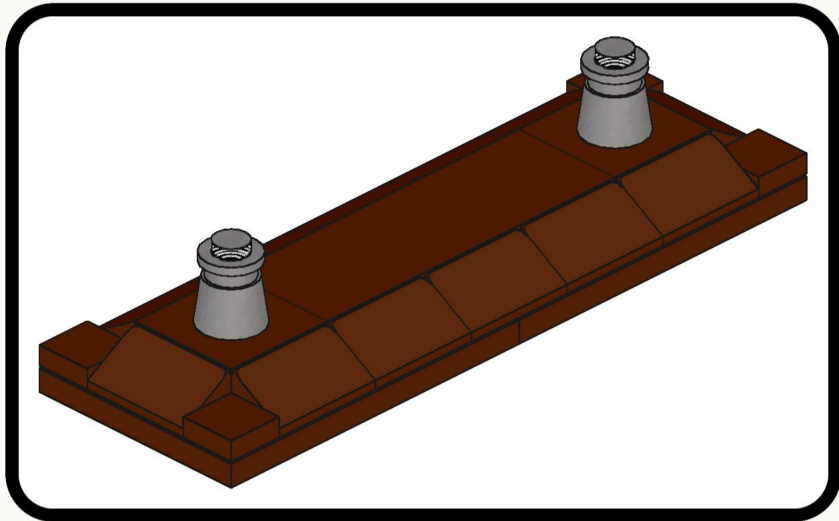


The four turrets were named Anton and Bruno forward, Caesar and Dora aft — Anton and Bruno in a superfiring pair, meaning Bruno fired over Anton's roof.

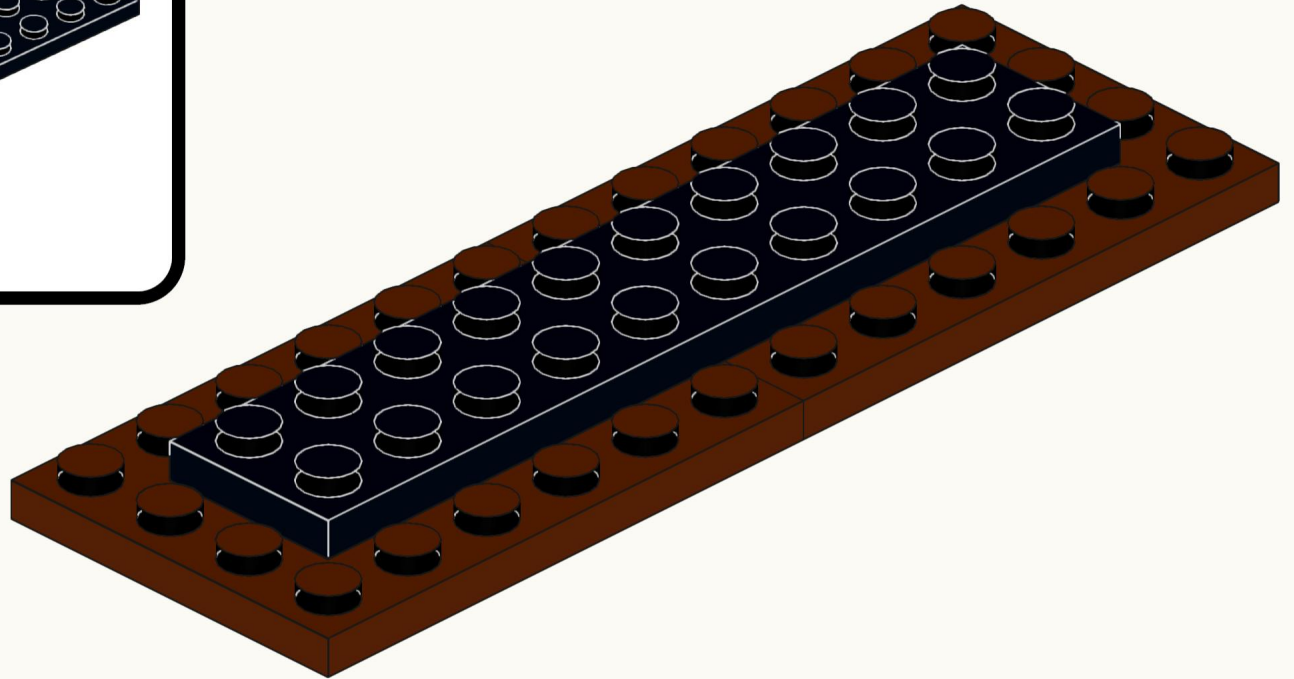
99



Her wreck was located in June 1989 by Robert Ballard, lying upright on a mountainside nearly 16,000 feet below the ocean surface.

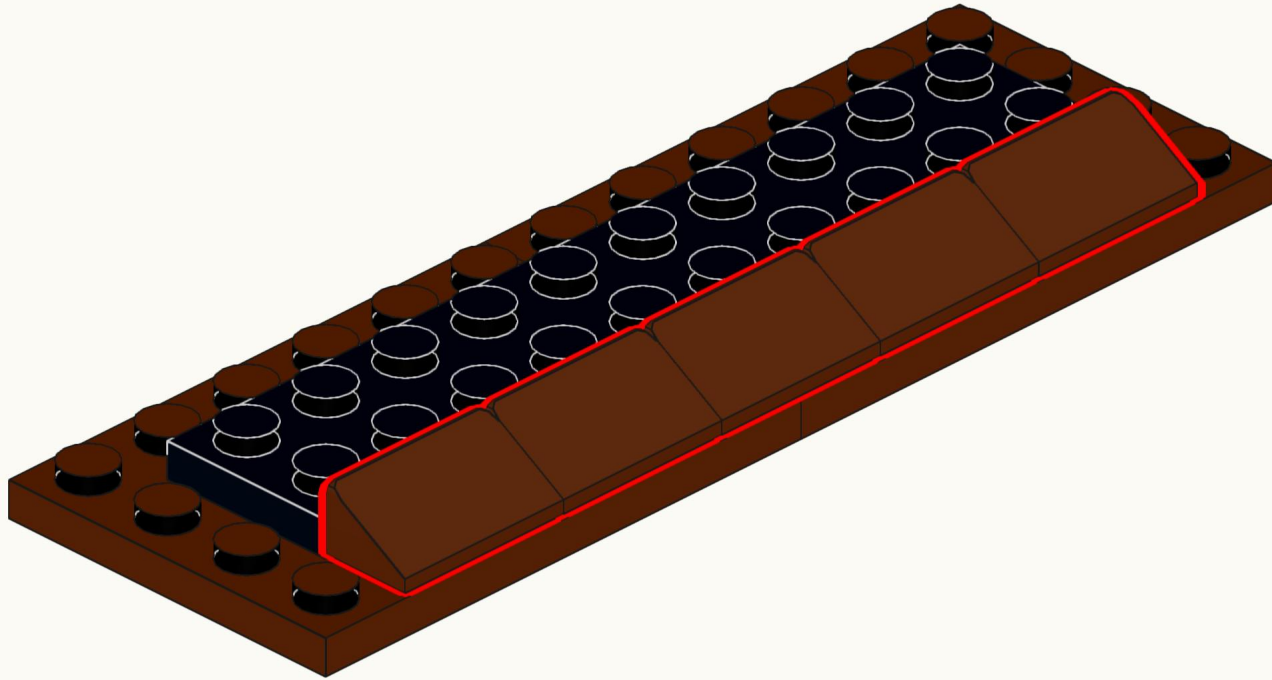


100



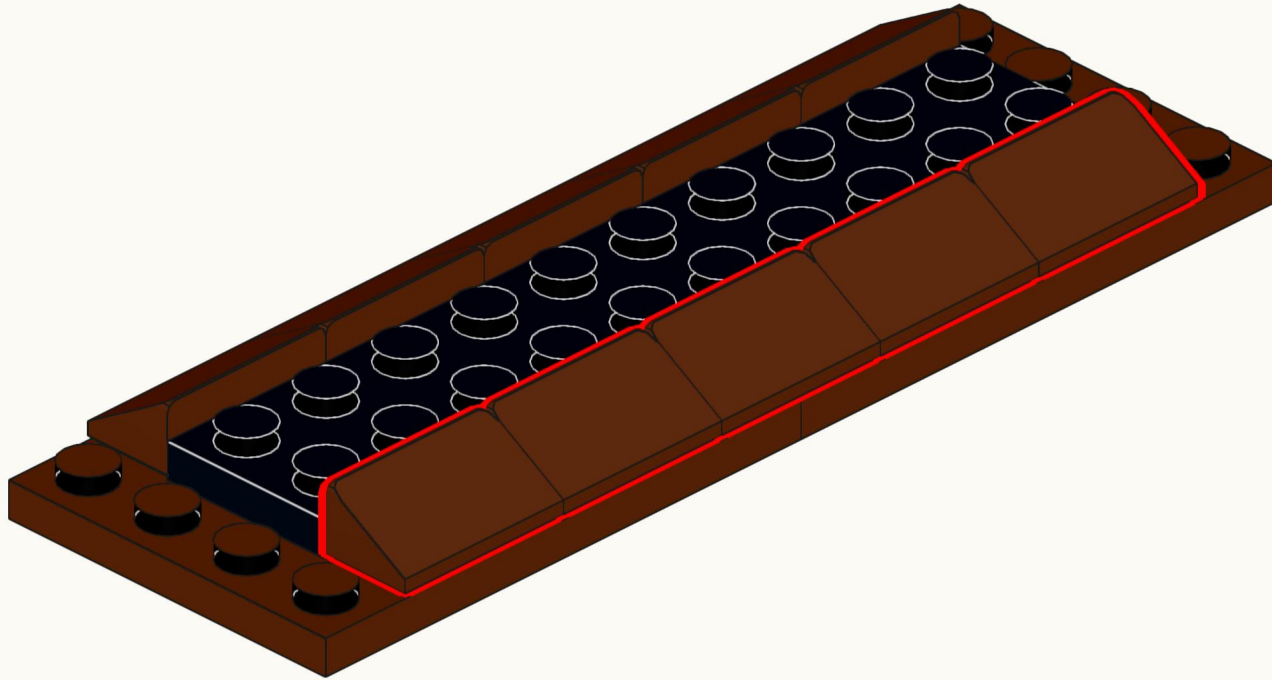


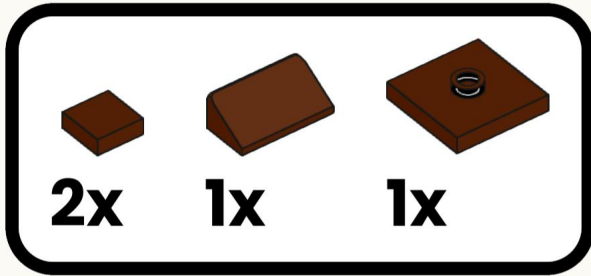
101



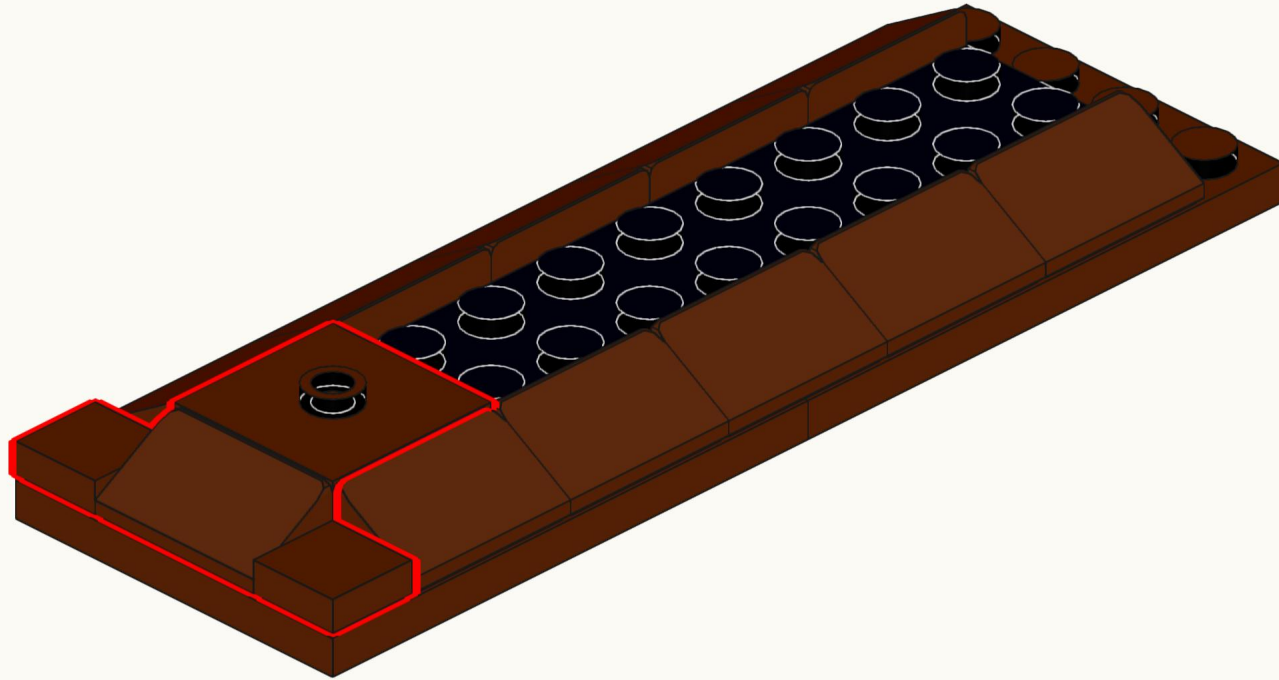


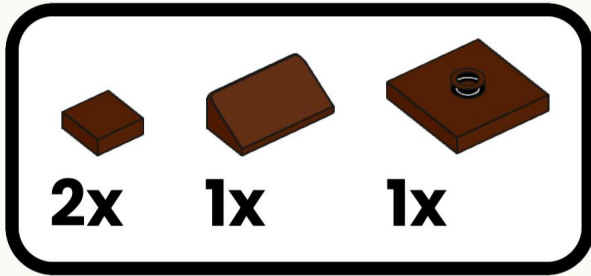
102



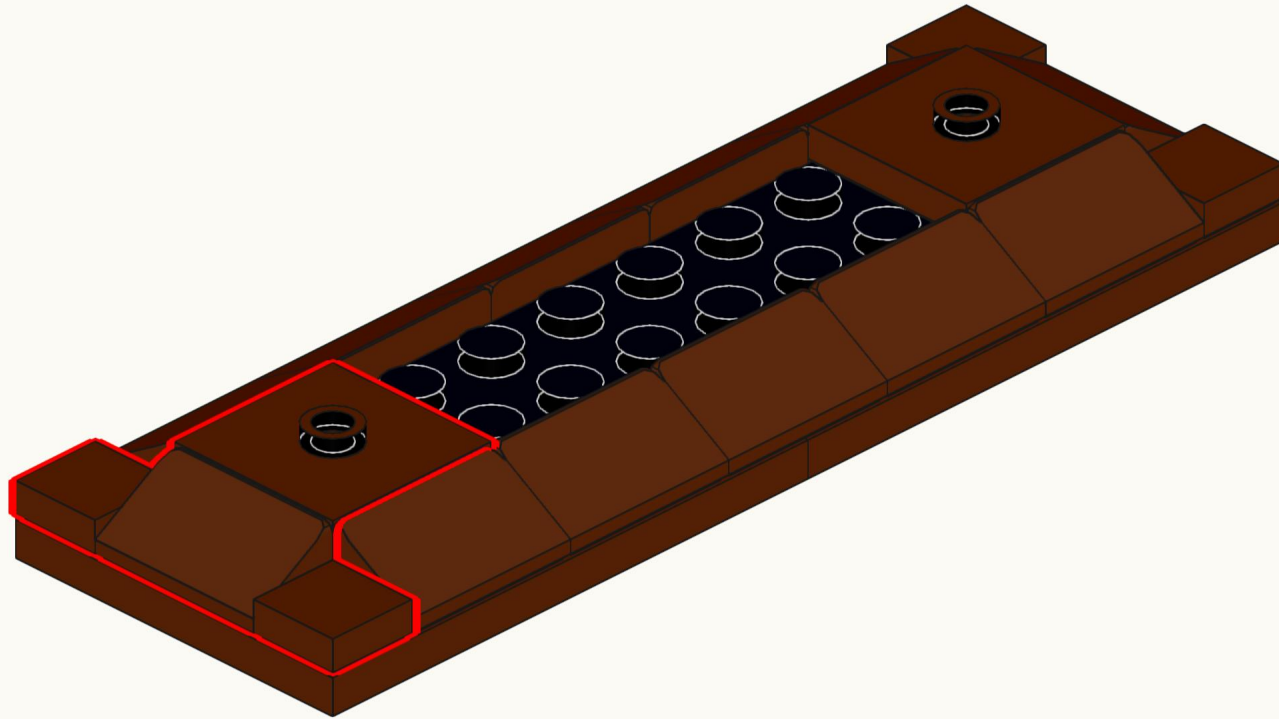


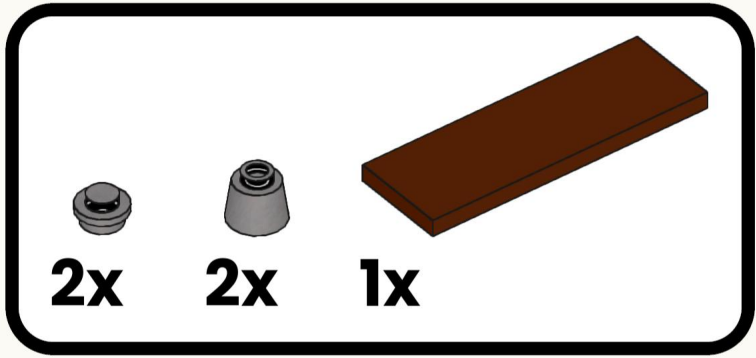
103



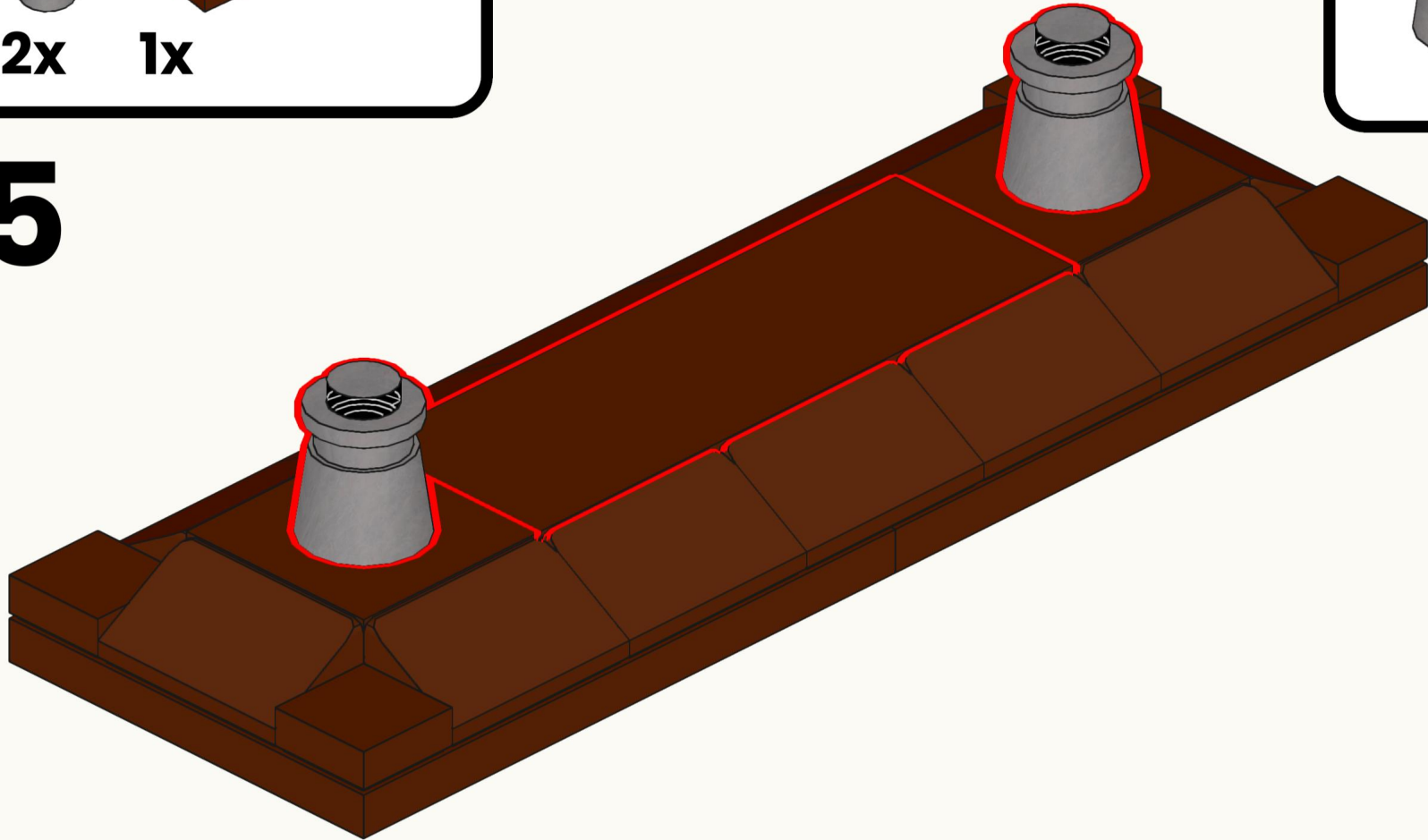


104



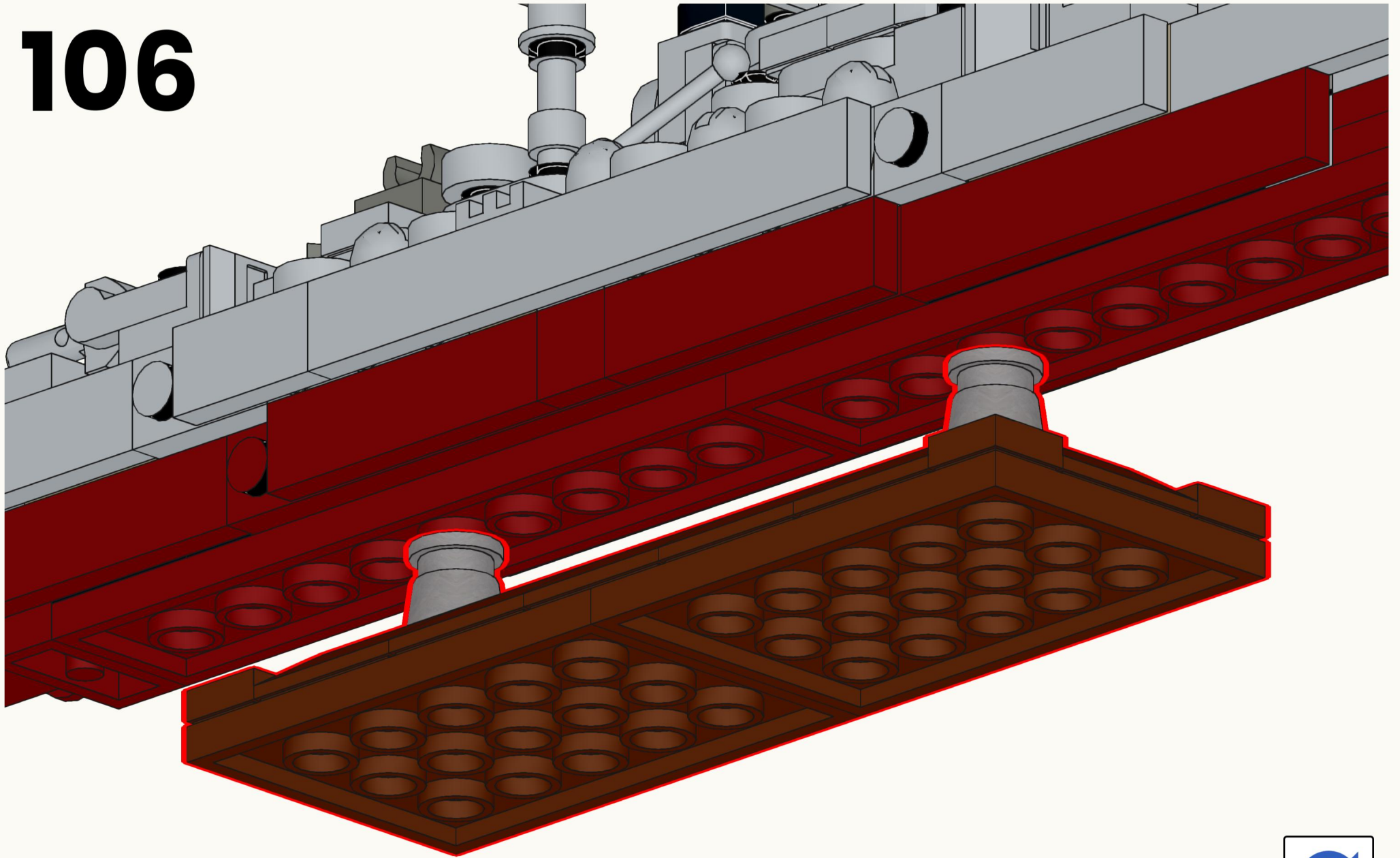


105

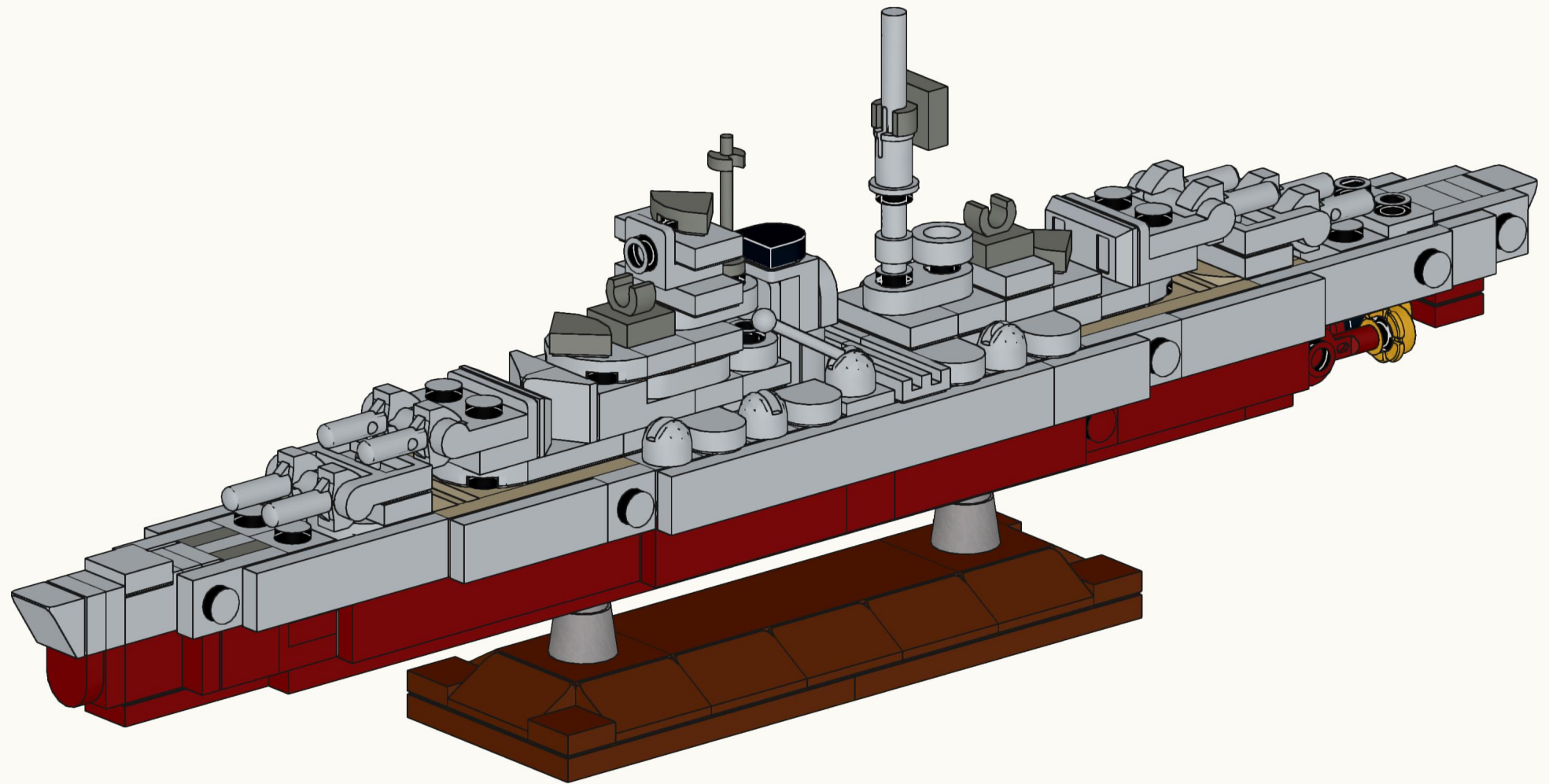


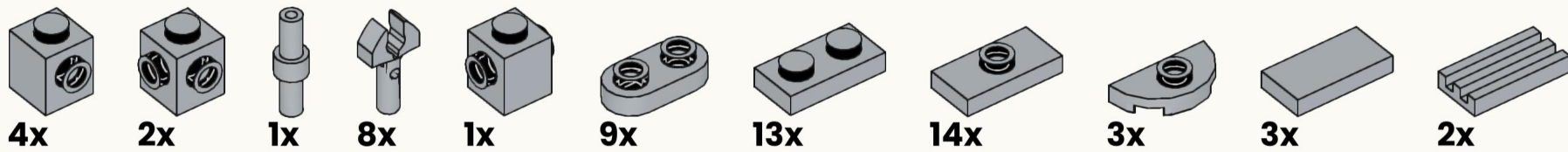
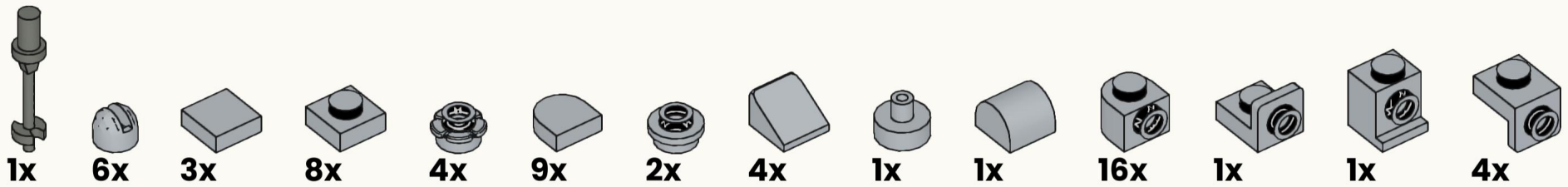
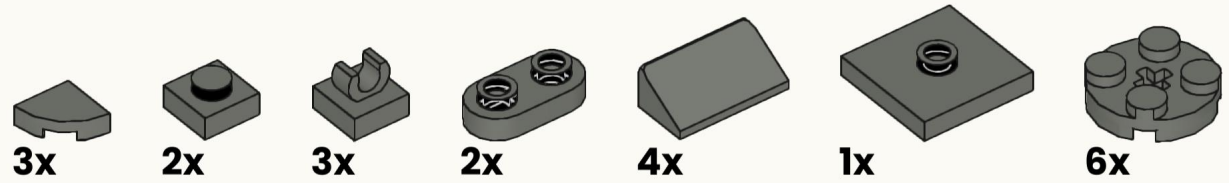
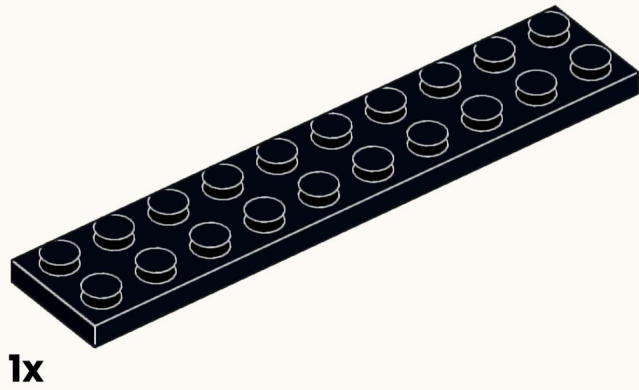
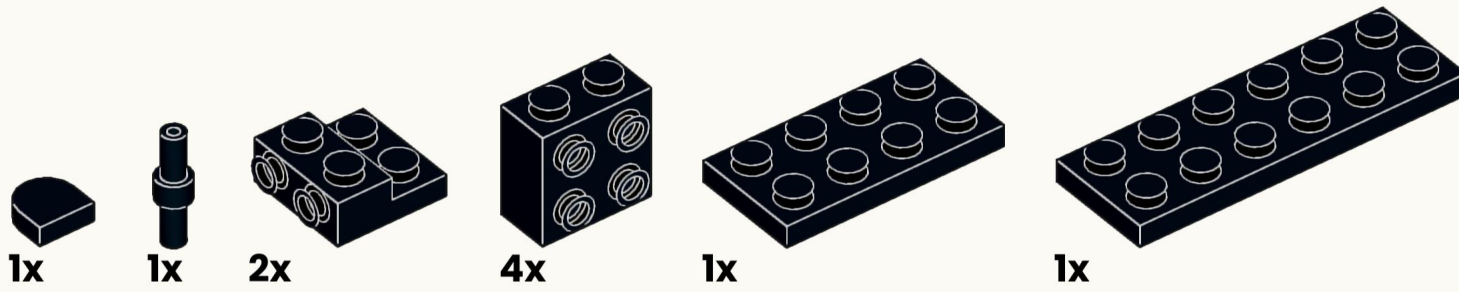
2x

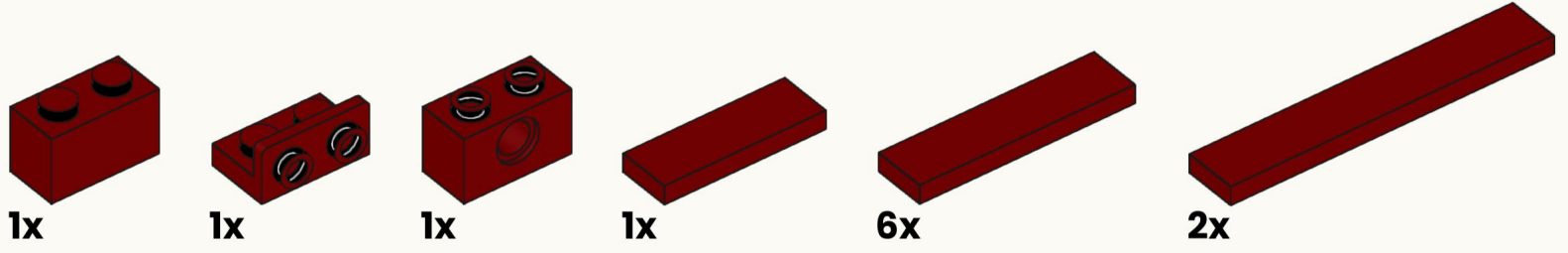
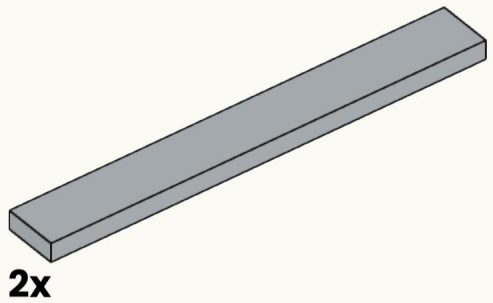
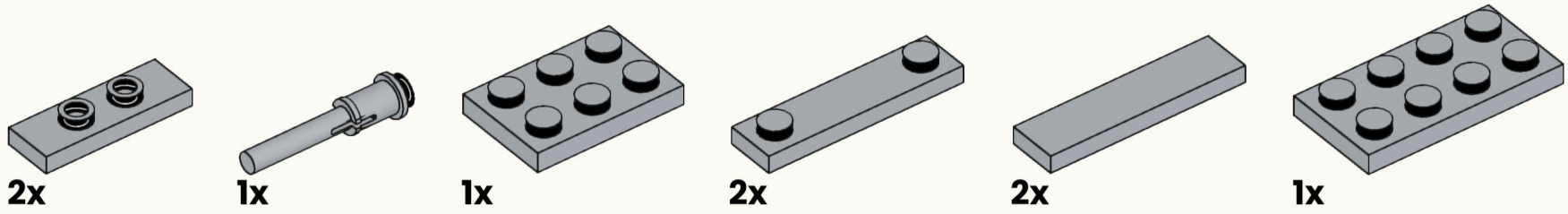
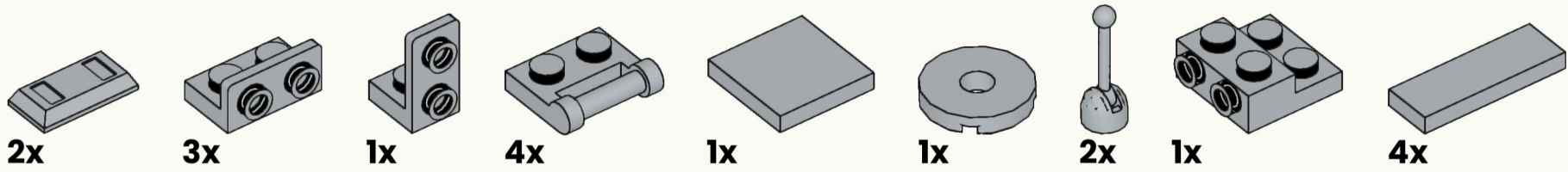
106

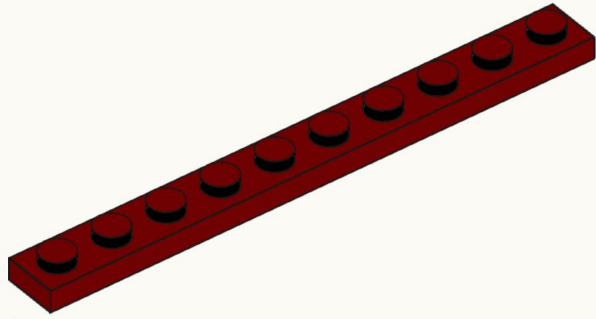


Keep it on the display stand or add it to a naval-themed diorama!

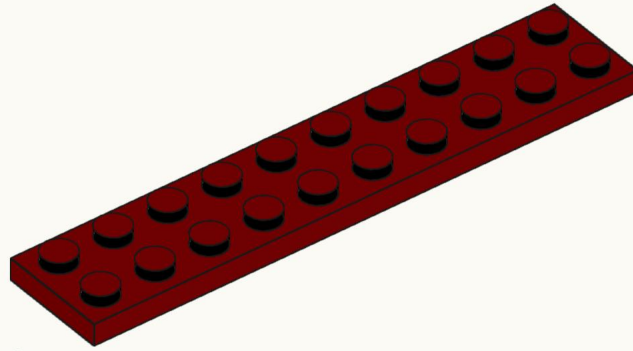




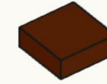




2x



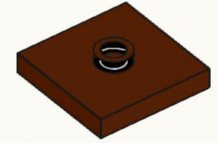
2x



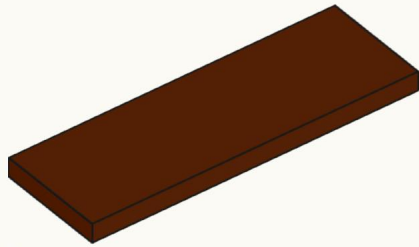
4x



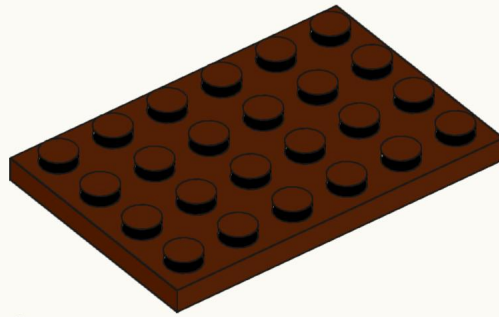
12x



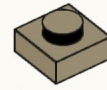
2x



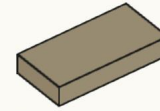
1x



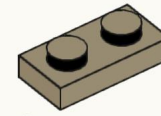
2x



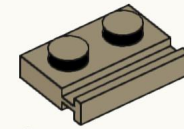
2x



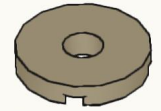
1x



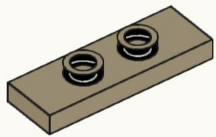
2x



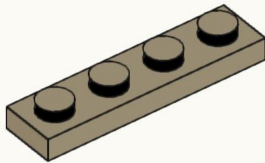
2x



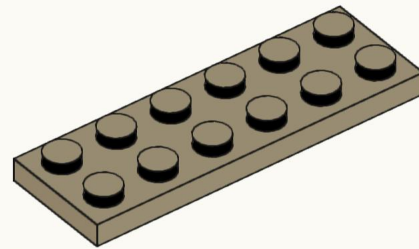
1x



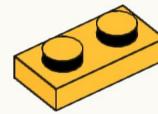
2x



4x



1x



1x



2x



2x



3x

BOBBY BRIX

**DESIGNED BY BOBBY BRIX IN 2026.
ALL RIGHTS RESERVED.**